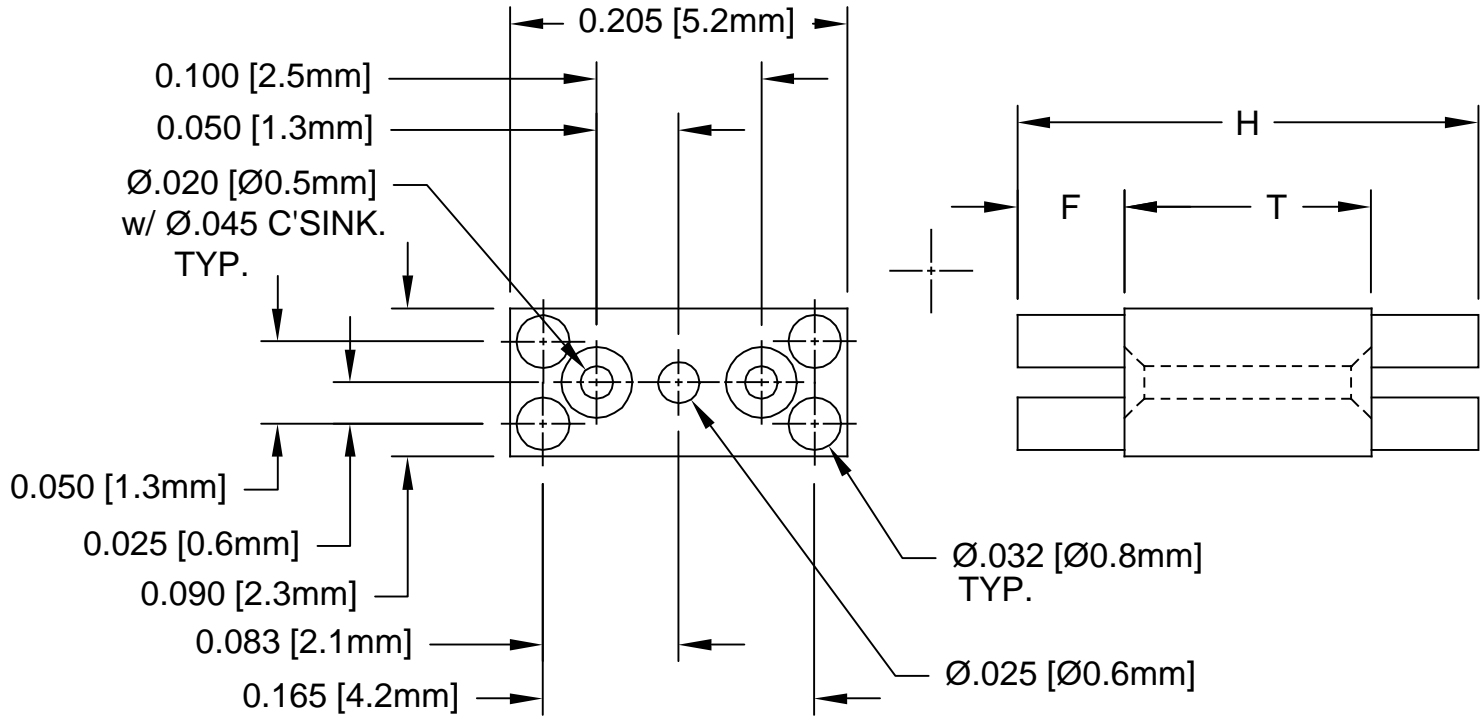


REV.	DESCRIPTION	DATE	APPROVED
A	Engineering Release for Round Lead Version.	02/27/04	M. C.



PART NUMBER	H	T	F
RL1-120-020	.120 (3.0mm)	0.040 (1.0mm)	0.040 (1.0mm)
RL1-150-020	.150 (3.8mm)		0.055 (1.4mm)

PART NUMBER	H	T	F
RL2-280-020	0.280 (7.1mm)	0.150 (3.8mm)	0.065 (1.7mm)

2. MATERIAL: NYLON 6/6, 94V-0, NATURAL/WHITE. BIVAR MATERIAL CODE 24-WE.
RTP POLYAMIDE NYLON 6/6, 0299X63548, NATURAL OR MODIFIED PLASTICS MN6/6-SE WHT.
1. GENERAL SPECIFICATIONS: BIVAR MOLDED COMPONENT SPECIFICATION BV00-E101.

STANDARD TOLERANCE (UNLESS OTHERWISE SPECIFIED)		BIVAR®	
DECIMALS	ANGULAR	4 THOMAS, IRVINE, CA. 92618	
.X ± .1	X° ± 1°	TEL: (949) 951-8808 FAX: (949) 951-3974	
.XX ± .01		TITLE: MOLDED RECTANGULAR LED MOUNT, ROUND LEAD	
.XXX ± .005		DESIGNED: Michael Chen DATE: 03/11/03	
		PART NO: RL1 / RL2-XXX-020 REVISION: A	
		CHECKED: D. Green DATE: 03/11/03	
		CAGE CODE : 32559 SHEET # 1 OF 1	
		CAD GENERATED DOCUMENT, DO NOT MEASURE DRAWING.	