

PLEASE CHECK WWW.MOLEX.COM FOR LATEST PART INFORMATION

Part Number: [0556381419](#)
Status: **Contact Molex**
Overview: [qf50](#)
Description: 2.54mm (.100") Pitch QF-50™ Flat Ribbon Cable Header, Dual Row, Right Angle, Shrouded Header with Eject Levers, 14 Circuits, Lead-free

Documents:

[3D Model](#) [Product Specification PS-54559-005 \(PDF\)](#)
[Drawing \(PDF\)](#) [RoHS Certificate of Compliance \(PDF\)](#)

General

Product Family	PCB Headers
Series	55638
Application	Wire-to-Board
Overview	qf50
Product Name	QF-50™

Physical

Breakaway	No
Circuits (Loaded)	14
Circuits (maximum)	14
Color - Resin	Black
Durability (mating cycles max)	500
First Mate / Last Break	No
Glow-Wire Compliant	No
Guide to Mating Part	No
Keying to Mating Part	None
Lock to Mating Part	Yes
Material - Metal	Brass
Material - Plating Mating	Gold
Material - Plating Termination	Tin
Material - Resin	Polyester
Number of Rows	2
Orientation	Right Angle
PC Tail Length (in)	0.118 In
PC Tail Length (mm)	3.00 mm
PCB Locator	No
PCB Retention	Yes
PCB Thickness Recommended (in)	0.062 In
PCB Thickness Recommended (mm)	1.60 mm
Packaging Type	Tray
Pitch - Mating Interface (in)	0.100 In
Pitch - Mating Interface (mm)	2.54 mm
Plating min: Mating (µin)	12
Plating min: Mating (µm)	0.3
Plating min: Termination (µin)	40
Plating min: Termination (µm)	1
Polarized to Mating Part	Yes
Shrouded	Fully
Stackable	No
Surface Mount Compatible (SMC)	No
Temperature Range - Operating	-40°C to +85°C
Termination Interface: Style	Through Hole

Electrical

Current - Maximum per Contact	1A
-------------------------------	----

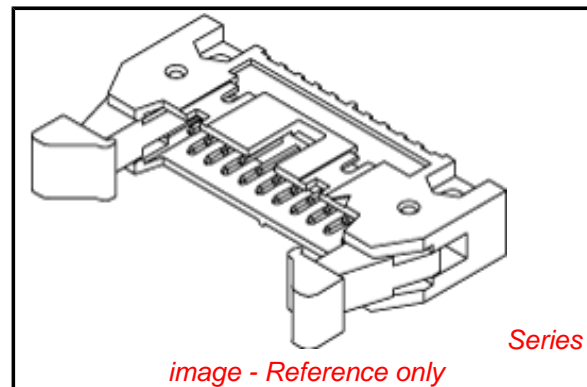


image - Reference only

EU RoHS

ELV and RoHS Compliant
REACH SVHC
 Not Reviewed
Halogen-Free
Status

China RoHS



Not Reviewed

Need more information on product environmental compliance?

Email productcompliance@molex.com
 For a multiple part number RoHS Certificate of Compliance, [click here](#)

Please visit the [Contact Us](#) section for any non-product compliance questions.

Search Parts in this Series

[55638Series](#)

Mates With

[54559](#) QF-50™ Flat Cable Receptacle Housing

Voltage - Maximum

300V

Material Info

Reference - Drawing Numbers

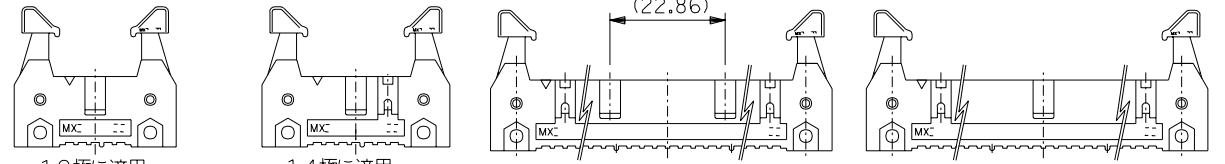
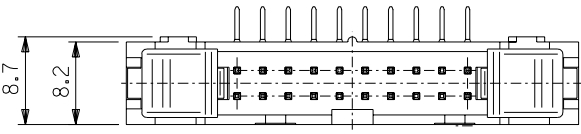
Product Specification
Sales Drawing

PS-54559-005, RPS-54559-017
SD-55638-003

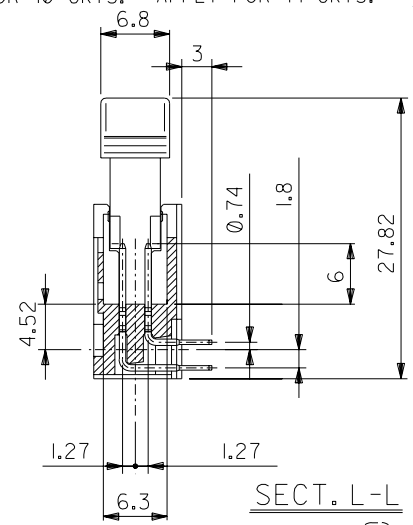
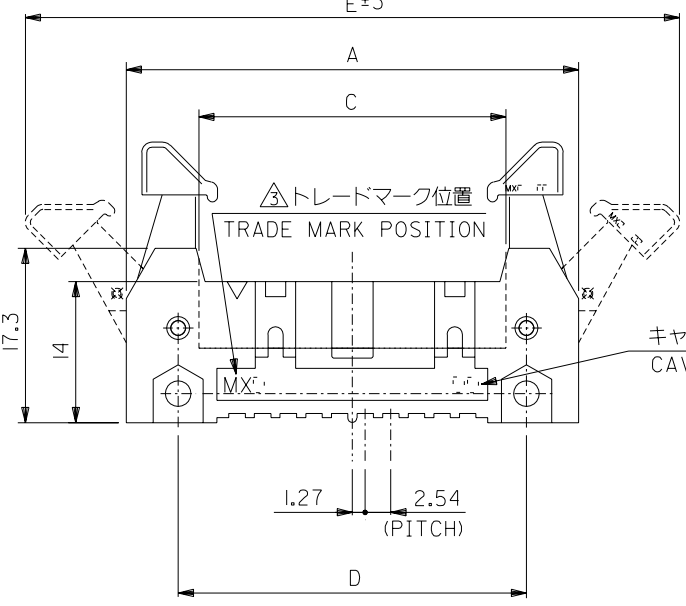
This document was generated on 06/02/2010

PLEASE CHECK WWW.MOLEX.COM FOR LATEST PART INFORMATION

DWG. NO. SD-55638-003

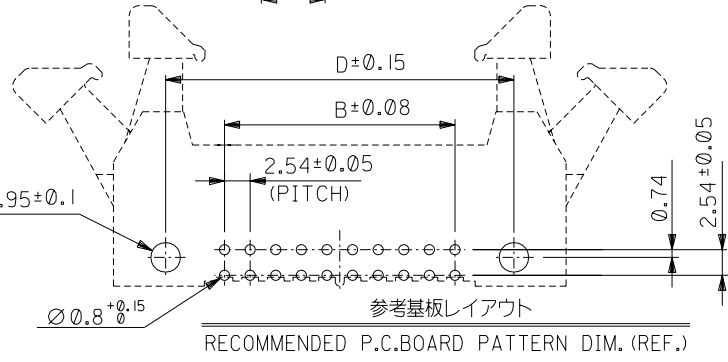
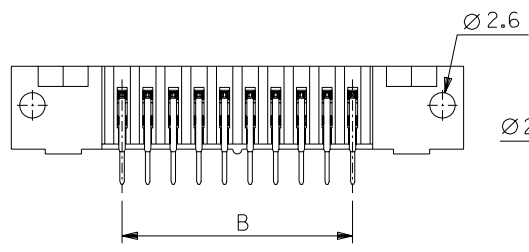


10極に適用。 APPLY FOR 10 CKTS. 14極に適用。 APPLY FOR 14 CKTS. 55638-5019,6019,6419 に適用。 APPLY 55638-5019,6019,6419 55638-5039,6039,6439 に適用。 APPLY 55638-5039,6039,6439



注記 NOTES

- 材料 ハウジング : PBT (UL94V-0), 黒色
レバー : PBT (UL94V-0), 黒色
ターミナル : リン青銅 (ニッケル下地 鍍・金メッキ)
MATERIAL HOUSING : PBTP, UL94V-0, BLACK
LEVER : PBTP, UL94V-0, BLACK
TERMINAL : PHOSPHOR BRONZE (GOLD, TIN PLATING, NICKEL UNDER-PLATING)
- 嵌合相手 : 54559 シリーズ
MATE WITH : 54559 SERIES
- トレードマーク: MX プラス 1 文字の製造工場を示すアルファベットにて構成
但し、* J * は JAPAN を示す。(例 MX J)
キャビティ番号: 1 桁の数字で表示
金型番号: アルファベット 1 文字にて構成。
FORMED BY MX AND 1 MORE LETTER OF ALPHABET WHICH MEAN THE MANUFACTORY, BUT *J* MEANS JAPAN. (TO TRADE MARK) (e.g. MXJ) AND BY 1 DIGIT NUMBER (TO CAVITY NO.) AND BY 1 LETTER OF ALPHABET (TO MOLD NO.)
- 本製品は55638-***11, -***31の鉛フリー品である。
THIS PRODUCT IS LEAD FREE OF 55638-***11, -***31.



RECOMMENDED P.C.BOARD PATTERN DIM. (REF.)

120.31	90.42	86.34	78.74	100.74	55638-6419	64
120.31	90.42	86.34	78.74	100.74	55638-6439	
115.23	85.34	81.26	73.66	95.66	55638-6019	60
115.23	85.34	81.26	73.66	95.66	55638-6039	
102.53	72.64	68.56	60.96	82.96	55638-5019	50
102.53	72.64	68.56	60.96	82.96	55638-5039	
89.83	59.94	55.86	48.26	70.26	55638-4019	40
82.21	52.32	48.24	40.64	62.64	55638-3419	34
77.13	47.24	43.16	35.56	57.56	55638-3019	30
72.05	42.16	38.08	30.48	52.48	55638-2619	26
64.43	34.54	30.46	22.86	44.86	55638-2019	20
59.35	29.46	25.38	17.78	39.78	55638-1619	16
56.81	26.92	22.84	15.24	37.24	55638-1419	14
51.73	21.84	17.76	10.16	32.16	55638-1019	10
E	D	C	B	A	MATERIAL NO.	CKT.

DO NOT SCALE DRAWING

EC NO. DRWN: CHK: APPR:	EC NO. DRWN: CHK: APPR:	EC NO. DRWN: CHK: APPR:	EC NO. DRWN: CHK: APPR:	EC NO. DRWN: CHK: APPR:	RELEASED EC NO. J2004-3613 DRWN: Y.WADA '04/04/06 CHK: M.SASAO '04/04/06 APPR: M.SASAO '04/04/06	MATERIAL 材料	SEE NOTES	GENERAL TOLERANCES: (UNLESS SPECIFIED) 一般公差	SCALE	DESIGN UNITS	THIRD ANGLE PROJECTION	DIMENSIONS:		SHT	REV
						FINISH 仕上げ	SEE NOTES		2 : 1	<input checked="" type="checkbox"/> mm <input type="checkbox"/> INCH		<input type="checkbox"/> mm <input type="checkbox"/> INCH	<input type="checkbox"/> mm ONLY	REVISE ON CAD ONLY	
						WIRE RANGE 適用電線範囲	10 UNDER 未満 30 UNDER 未満		±0.2 ±0.25	DRAWN BY & DATE Y.WADA '04/04/06		TITLE: 2.54 mm FLAT CABLE CONN. HEADER ASS'Y(R/A TYPE) -LEAD FREE-			
INS. RANGE 被覆外径	30 OVER 以上	±0.3	CHECKED BY & DATE M.SASAO '04/04/06	APPROVED BY & DATE M.SASAO '04/04/06			MOLEX INCORPORATED								
						CAD FILENAME	MATERIAL NO.	DRAWING NO.	SHEET NO.						
						SD-55638-003.S01	SEE CHART	SD-55638-003	1 OF 1						
											THIS DRAWING CONTAINS INFORMATION THAT IS PROPRIETARY TO MOLEX INCORPORATED AND SHOULD NOT BE USED WITHOUT WRITTEN PERMISSION.			SIZE B	