

Am27S190/27S191/PS191/LS191 Am27S290/27S291/PS291/LS291

16,384-Bit (2048 x 8) Bipolar PROM

DISTINCTIVE CHARACTERISTICS

- Fast access time allows high system speed
- 50% power savings on deselected parts — enhances reliability through total system heat reduction (27PS devices)
- Plug in replacement for industry standard product — no board changes required
- Platinum-Silicide fuses guarantee high reliability, fast programming and exceptionally high programming yields (typ > 98%)
- Voltage and temperature compensated providing extremely flat AC performance over military range
- Rapid recovery from power-down state provides minimum delay (27PS devices)

GENERAL DESCRIPTION

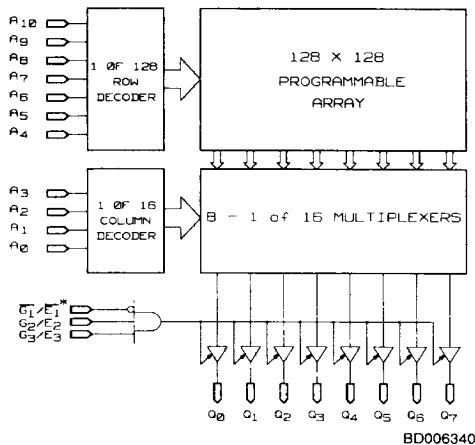
The Am27S190/191 (2048-words by 8-bits) is a Schottky TTL Programmable Read-Only Memory (PROM).

This device is available in both open-collector (Am27S190) and three-state (Am27S191) output versions. These outputs are compatible with low-power Schottky bus standards capable of satisfying the requirements of a variety of microprogrammable controls, mapping functions, code conversion, or logic replacement. Easy word-depth expansion

is facilitated by both active LOW (\overline{G}_1) and active HIGH (G_2 and G_3) output enables.

This device is also available in 300-mil, lateral center DIP (Am27S290/27S291). Additionally, this device is offered in a low-power, three-state version, the Am27LS191 and Am27LS291, as well as a power-switched, three-state version, the Am27PS191 and Am27PS291.

BLOCK DIAGRAM



*E nomenclature applies to the power-switched versions only (Am27PSXXX).

PRODUCT SELECTOR GUIDE

Open-Collector Part Number	-		Am27S190A, Am27S290A		Am27S190, Am27S290		-		-		-	
Three-State Part Number	Am27S191SA, Am27S291SA		Am27S191A, Am27S291A		Am27S191, Am27S291		Am27LS191*, Am27LS291*		Am27PS191A, Am27PS291A		Am27PS191, Am27PS291	
Address Access Time (ns)	20	30	35	50	50	65	35	45	50	65	65	75
Operating Range	C	M	C	M	C	M	C	M	C	M	C	M

*Advance Information applies only to "SA" version.

Publication # 02121
Rev. C
Amendment /0
Issue Date: May 1986