

CMOS/TTL COMPATIBLE SURFACE-MOUNT PROGRAMMABLE CRYSTAL CLOCK OSCILLATOR

AP5S



RoHS
Compliant



5.0 x 3.2 x 1.2mm

FEATURES:

- Comparable performance to fixed frequency oscillator
- Low supply current
- Low peak to peak jitter with PLL technology
- Alternative to long lead-time XO's

For Small
Quantities,
Delivery Time
is 1-5 days

ELECTRICAL SPECIFICATIONS:

Parameters		Minimum	Typical	Maximum	Units	Notes
Frequency Range:	V _{dd} = 3.3V	10	-----	200	MHz	
	V _{dd} = 2.5V	10	-----	166	MHz	
Operating Temperature:		0	-----	+70	°C	See options
Storage Temperature:		-55	-----	+155	°C	
Overall Frequency Stability*:		-100	-----	+100	ppm	See options
Supply Voltage (V _{dd}):	V _{dd} = 3.3V	2.97	3.3	3.63	V	Standard
	V _{dd} = 2.5V	2.25	2.5	2.75	V	Option 1
Input Current:	V _{dd} = 3.3V	-----	-----	30	mA	
	V _{dd} = 2.5V	-----	-----	20	mA	
Symmetry:		45	50	55	%	@ 1/2V _{dd}
Rise and Fall Time (Tr/Tf)**:		-----	2.5	3.5	ns	
Output Load:				15	pF	CMOS
Output Voltage:	VOH	V _{dd} -0.4	-----	-----	V	
	VOL	-----	-----	0.4	V	
Start-up Time:		-----	-----	10.0	ms	
Tri-state function (Stand-by) :		"1" (VIH ≥ 0.7*V _{dd}) or Open: Oscillation "0" (VIH < 0.3*V _{dd}) : Hi Z				
Period jitter RMS (Reference only. Please contact Abracon for each frequencies.):	25MHz	-----	2.0	4.0	ps	
	50MHz	-----	5.0	10.0	ps	
	100MHz	-----	7.0	14.0	ps	
Period jitter Peak to Peak (Reference only. Please contact Abracon for each frequencies.):	25MHz	-----	14.0	25.0	ps	
	50MHz	-----	25.0	35.0	ps	
	100MHz	-----	35.0	50.0	ps	
Phase jitter (RMS, 12kHz to 20MHz):	20MHz	-----	0.6	1.0	ps	
	25MHz	-----	5.6	7.0	ps	
	50MHz	-----	16.0 ~ 25.0	40.0	ps	
	100MHz	-----	18.0	25.0	ps	
Aging:		-3.0	-----	+3.0	ppm	@+25°C First year

* Inclusive of calibration @25°C, operating temperature range, input voltage variation, load variation, aging, shock, and vibration.

** Transition times are measured between 10% and 90% of V_{dd} with an output load of 15 pF.

ABRACON IS
ISO 9001:2008
CERTIFIED



ABRACON
CORPORATION

Visit www.abracon.com for Terms & Conditions of Sale **Revised: 10.15.10**
30332 Esperanza, Rancho Santa Margarita, California 92688
tel 949-546-8000 | fax 949-546-8001 | www.abracon.com

HCMOS/TTL COMPATIBLE SURFACE-MOUNT PROGRAMMABLE CRYSTAL CLOCK OSCILLATOR



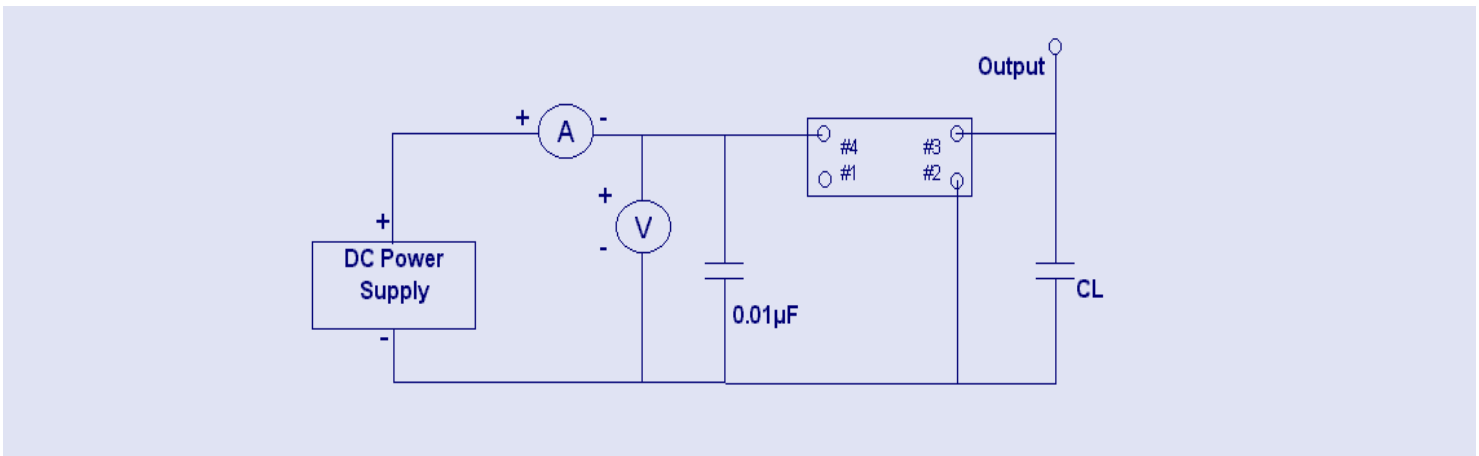
5.0 x 3.2 x 1.2mm

AP5S



RoHS
Compliant

TEST CIRCUIT:



REFLOW PROFILE:

AP5S - MHz - -

Supply Voltage

Blank: 3.3V
1: 2.5V

Frequency in MHz

Please specify the frequency in MHz.
e.g. 14.31818MHz

Operating Temp.

I: 0°C ~ +50°C
D: -10°C ~ +60°C
E: -20°C ~ +70°C
F: -30°C ~ +70°C
N: -30°C ~ +85°C
L: -40°C ~ +85°C

Overall Freq. Stability

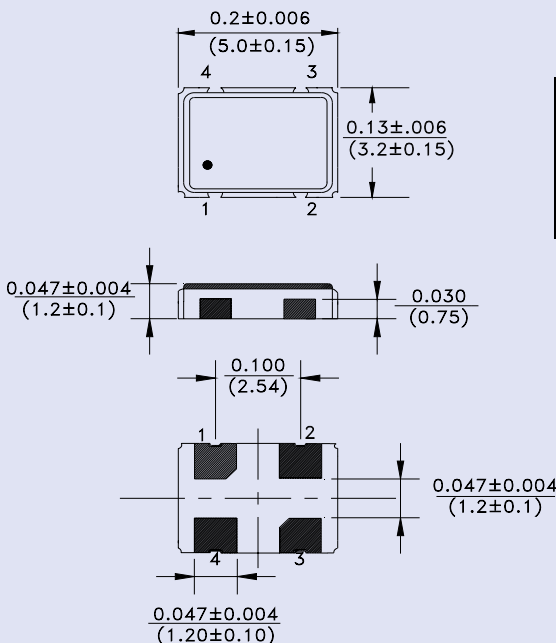
J(**): ±20ppm
R: ±25ppm
K: ±30ppm
C: ±50ppm

Packaging

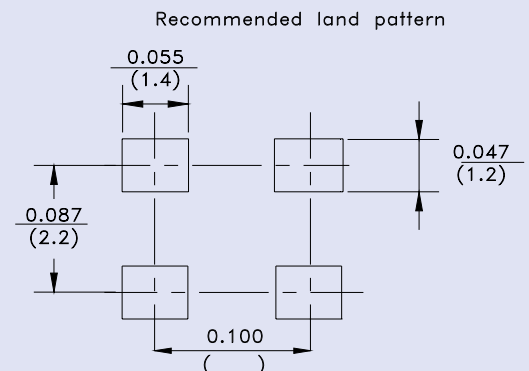
Blank: Bulk
T: Tape & Reel

* Temp. option I, D, E and 0°C ~ +70°C only
Contact ABRACON for EJ or LR options. (Availability limited)

OUTLINE DRAWING:



Pin	Function
1	Tri-State
2	GND/Case
3	Output
4	Vdd



Note: Recommend using an approximately 0.01µF bypass capacitor between PIN 2 and 4.

ABRACON IS
ISO 9001:2008
CERTIFIED



Visit www.abracon.com for Terms & Conditions of Sale **Revised: 10.15.10**
30332 Esperanza, Rancho Santa Margarita, California 92688
tel 949-546-8000 | fax 949-546-8001 | www.abracon.com

