

CMR1U-01 CMR1U-06
 CMR1U-02 CMR1U-10
 CMR1U-04

**SURFACE MOUNT ULTRA FAST
 RECOVERY SILICON RECTIFIER
 1.0 AMP, 100 THRU 1000 VOLTS**



SMB CASE

Central™

Semiconductor Corp.

FEATURES:

- LOW COST
- SPECIAL SELECTIONS AVAILABLE
- HIGH RELIABILITY
- SUPERIOR LOT TO LOT CONSISTENCY
- GLASS PASSIVATED CHIP
- “C” BEND CONSTRUCTION PROVIDES STRAIN RELIEF WHEN MOUNTED ON PC BOARD

DESCRIPTION:

The CENTRAL SEMICONDUCTOR 1.0 Amp Surface Mount Silicon Ultra Fast Recovery Rectifier is a high quality, well constructed, highly reliable component designed for use in all types of commercial, industrial, entertainment, computer and automotive applications. To order devices on 12mm Tape and Reel (3000/ 13” Reel), add TR13 suffix to part number

MARKING CODE: SEE MARKING CODE TABLE ON THE FOLLOWING PAGE

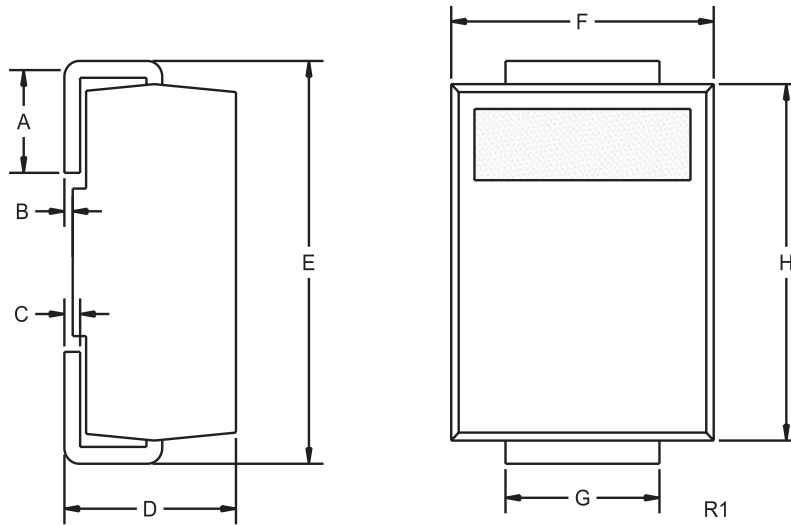
MAXIMUM RATINGS: (T_A=25°C unless otherwise noted)

	SYMBOL	CMR1U <u>-01</u>	CMR1U <u>-02</u>	CMR1U <u>-04</u>	CMR1U <u>-06</u>	CMR1U <u>-10</u>	UNITS
Peak Repetitive Reverse Voltage	V _{RRM}	100	200	400	600	1000	V
DC Blocking Voltage	V _R	100	200	400	600	1000	V
RMS Reverse Voltage	V _{R(RMS)}	70	140	280	420	700	V
Average Forward Current (T _A =75°C)	I _O			1.0			A
Peak Forward Surge Current(8.3ms)	I _{FSM}			3.0			A
Operating and Storage Junction Temperature	T _J , T _{stg}		-65 to +175				°C
Thermal Resistance	θ _{JL}			20			°C/W

ELECTRICAL CHARACTERISTICS: (T_A=25°C) unless otherwise noted)

SYMBOL	TEST CONDITIONS	MIN	MAX	UNITS
I _R	V _R =Rated V _{RRM}		5.0	μA
I _R	V _R =Rated V _{RRM} , T _A =125°C		100	μA
V _F	I _F =1.0A, (CMR1U-01, CMR1U-02)		1.0	V
V _F	I _F =1.0A, (CMR1U-04)		1.25	V
V _F	I _F =1.0A, (CMR1U-06)		1.40	V
V _F	I _F =1.0A, (CMR1U-10)		1.70	V
t _{rr}	I _F =0.5A, I _R =1.0A, Recover to 0.25A (CMR1U-01, -02, -04)		50	ns
t _{rr}	I _F =0.5A, I _R =1.0A, Recover to 0.25A (CMR1U-06, -10)		100	ns

SMB CASE - MECHANICAL OUTLINE



MARKING CODES:

DEVICE	MARKING CODE
CMR1U-01	CU01
CMR1U-02	CU02
CMR1U-04	CU04
CMR1U-06	CU06
CMR1U-10	CU10

SYMBOL	DIMENSIONS			
	INCHES		MILLIMETERS	
	MIN	MAX	MIN	MAX
A	0.030	0.060	0.76	1.52
B	0.004	0.008	0.10	0.20
C	0.006	0.012	0.15	0.30
D	0.086	0.096	2.18	2.44
E	0.200	0.220	5.08	5.59
F	0.130	0.150	3.30	3.81
G	0.077	0.083	1.96	2.11
H	0.160	0.180	4.06	4.57

SMB (REV: R1)