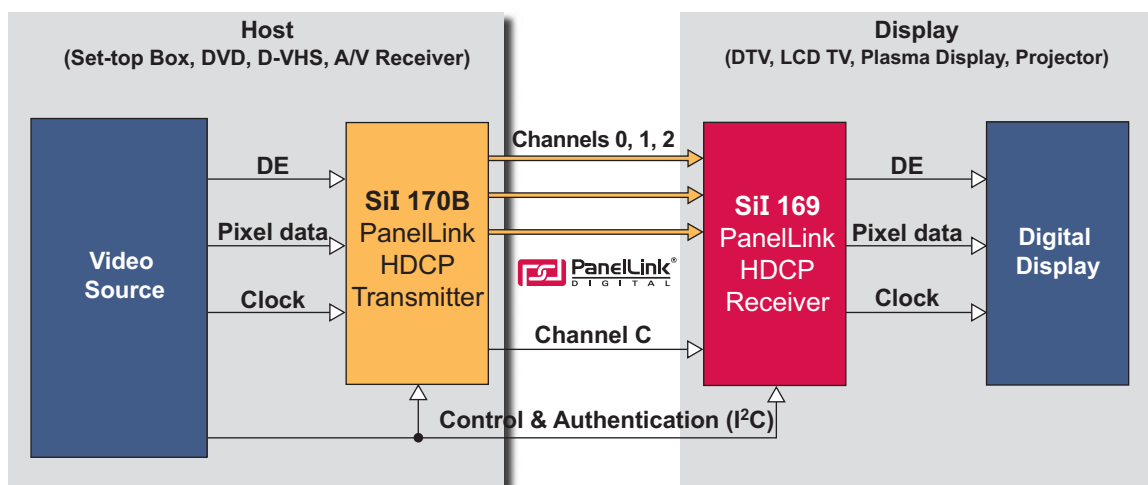


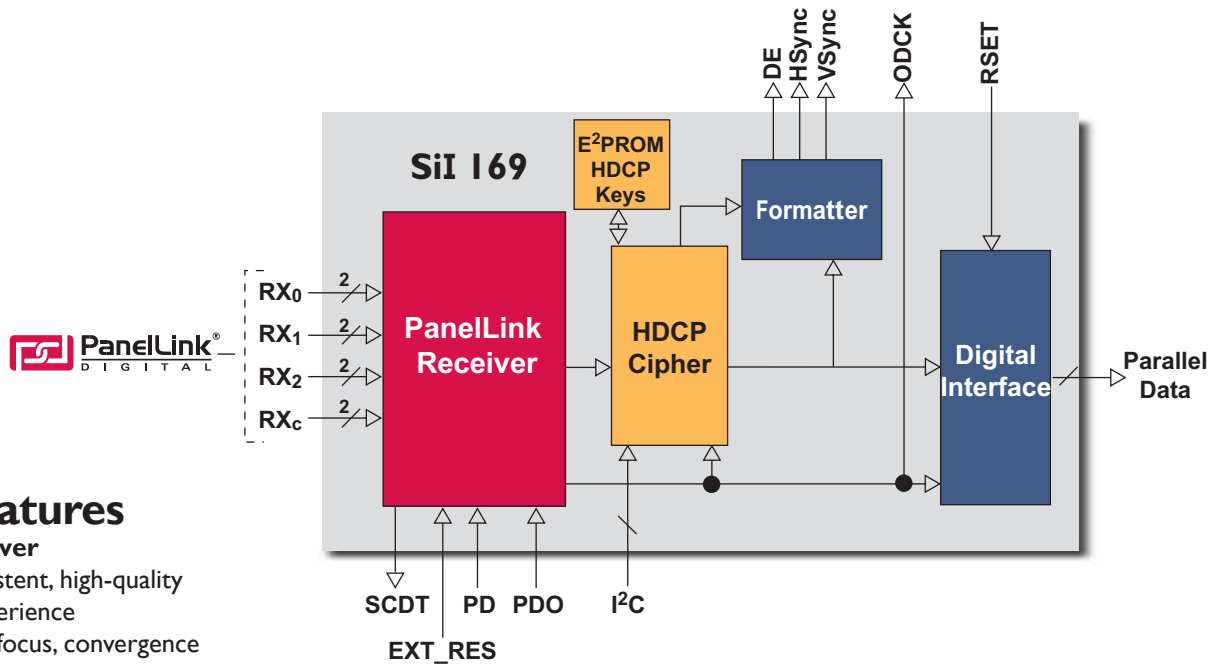
Silicon Image's SiI 169 enables the easy and low-cost addition of the DVI interface to digital televisions (DTVs), plasma displays, LCD TV/monitors and projectors. With the DVI-compliant SiI 169, displays may now realize consistently high image quality while receiving premium video content encrypted with High-bandwidth Digital Content Protection (HDCP). HDCP has received support from major Hollywood studios. Integrated, pre-programmed HDCP keys significantly simplify manufacturing while providing the highest level of security. The SiI 169 incorporates a full-bandwidth Panellink® Digital receiver while offering high jitter tolerance and efficient power management. With a full DVI single-link bandwidth of 25-165 MHz, all ATSC resolutions (720p/1080i) and PC resolutions up to UXGA (60Hz refresh) are supported. All of these features and benefits are provided in a 100-pin TQFP package that is footprint-compatible with the SiI 161B Panellink receiver.

Applications

- Digital TVs
- Plasma Displays
- LCD TV/Monitors
- Projectors

The SiI 169 allows DTV manufacturers to quickly and easily integrate the DVI interface into their advanced digital products. By supporting HDCP for DVI now, new applications in display security can be realized that enable viewing of premium video content.





SiI 169 Features

PanelLink® Receiver

- Provides a consistent, high-quality digital visual experience
- Improves image focus, convergence and geometry
- Cost-effective, easy-to-implement architecture for DVI-compliant DTVs, flat panel displays and projectors
- 100-pin TQFP package

Input

- PanelLink Digital receiver for proven DVI compatibility
- Supports DVI input from 25-165 MHz
- Supports High-bandwidth Digital Content Protection (HDCP)

Output

- Supports 480p/720p/1080i HDTV resolutions
- Supports up to UXGA resolution at 60 Hz
- 24-bit (1-pixel clock) or 48-bit (2-pixel clock) output

Power Management

- Supports DVI and VESA® DPMS™ power management functionality
- Low standby power consumption to meet energy conservation requirements

Easy to Use

- Pre-programmed internal HDCP keys simplify manufacturing, providing most secure solution and lowering cost
- Enhanced, robust input jitter tolerance
- Footprint-compatible with SiI 161B

Silicon Image's SiI 169 Starter Kit

The CPI69DVI Starter Kit includes hardware and documentation to quickly design and launch a DVI-compliant DTV, flat panel display or projector.

Contents include:

Hardware

- SiI 169 evaluation board
- Interface cables

Documentation

- SiI 169 Starter Kit User's Guide
- SiI 169 Data Sheet
- SiI 169 Evaluation Board Schematics
- SiI 169 Bill of materials (BOM)

Part Number - SiI 69CT100

SiI 69CT100-PUB (Programmed with public HDCP keys)