

PLEASE CHECK WWW.MOLEX.COM FOR LATEST PART INFORMATION

Part Number: **0492280210**
Status: **Active**
Description: 3.90mm (.154") Pitch Wire-to-Wire Receptacle Housing, with TPA™, Single Row, 2 Circuits

Documents:

[Drawing \(PDF\)](#) [RoHS Certificate of Compliance \(PDF\)](#)
[Product Specification PS-49228-001 \(PDF\)](#)

General

Product Family Crimp Housings
 Series 49228
 Product Name N/A

Physical

Circuits (maximum) 2
 Gender Female
 Glow-Wire Compliant No
 Lock to Mating Part Yes
 Number of Rows 1
 Packaging Type Bag
 Panel Mount No
 Pitch - Mating Interface (in) 0.154 In
 Pitch - Mating Interface (mm) 3.90 mm
 Polarized to Mating Part Yes
 Temperature Range - Operating -30°C to +85°C

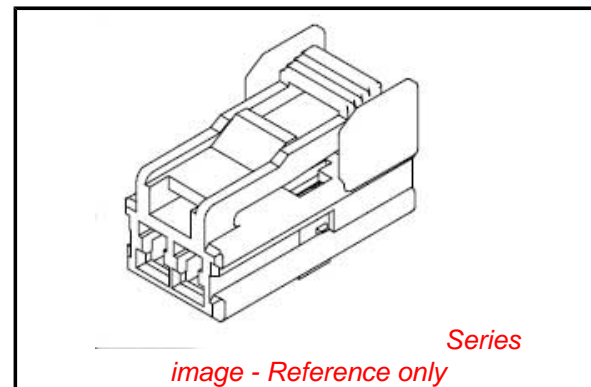
Electrical

Current - Maximum per Contact 18A

Material Info

Reference - Drawing Numbers

Product Specification PS-49228-001
 Sales Drawing SD-49228-001



EU RoHS

ELV and RoHS Compliant
REACH SVHC
 Not Reviewed
Halogen-Free Status

China RoHS



Need more information on product environmental compliance?

Email productcompliance@molex.com
 For a multiple part number RoHS Certificate of Compliance, [click here](#)

Please visit the [Contact Us](#) section for any non-product compliance questions.

Search Parts in this Series
[49228Series](#)

Mates With
[49229-0210](#) Housing

Use With
[49702](#) Terminals

PROJECT NO. SD-49228-001

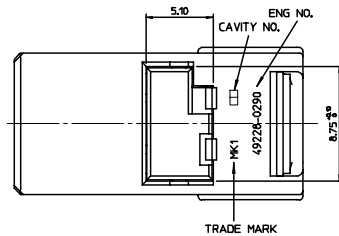
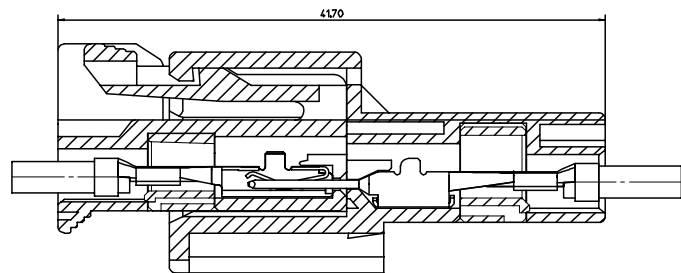
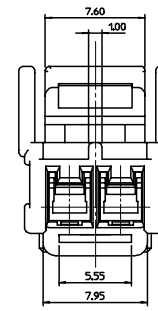
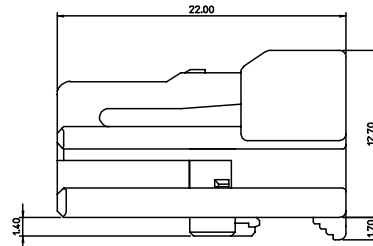
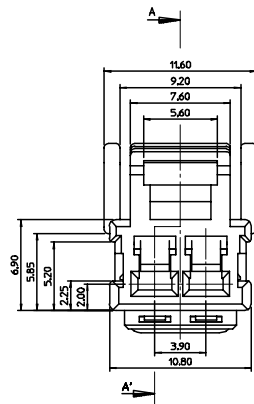
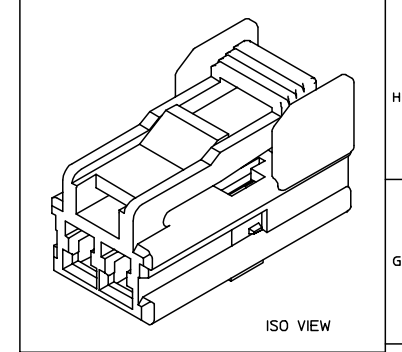
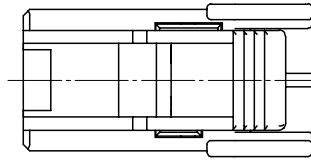
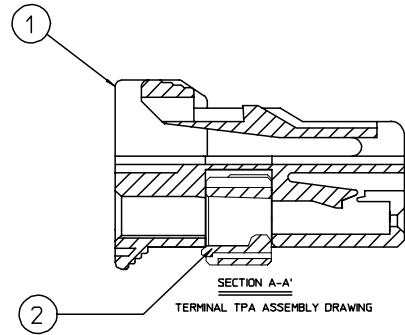
F

D

C

B

DO NOT SCALE DRAWING
DIMENSION IN METRIC



<NOTE>

1. MATERIAL : POLYESTER(PBT) UL 94HB
2. APPLICABLE TERMINAL : 49702-6702 (AVS,CAVS 0.3~0.5)
49702-6802 (AVS,CAVS 0.85~1.25)
49702-6902 (AVSS,CAVS 2.0)
3. APPLICABLE MALE HOUSING ASS'Y 2P : 49229-0210

NO.	PART NO.	PART NAME	REMARK
1	49228-0290	.090 F/HSG 2P	NATURAL
2	49228-0283	.090 F/TPA 2P	YELLOW
3	49228-0210	.090 F/HSG ASS'Y 2P	-

NEW PRODUCT RELEASE ECN NO. KOR2006-0099 DRWNS.Y.PARK 05/17/28 CHKG.S.M.KIM 05/17/28 APPS.ELEC.DON 05/17/28	QUALITY SYMBOLS MAJOR CRITICAL	GENERAL TOLERANCES: (UNLESS SPECIFIED)	SCALE 4:1	DESIGN UNITS <input checked="" type="checkbox"/> mm <input type="checkbox"/> INCH	THIRD ANGLE PROJECTION <input checked="" type="checkbox"/> THIRD ANGLE PROJECTION	DIMENSIONS <input type="checkbox"/> mm <input type="checkbox"/> INCH <input type="checkbox"/> mm ONLY	SHT 41	REV 1
	DESCRIPTION	DRAWN BY & DATE S.Y.PARK 05/02/23	TITLE 090 FEMALE HOUSING 2P		MOLEX INCORPORATED			
	REV	CHECKED BY & DATE S.M.KIM 05/02/23	APPROVED BY & DATE B.C.YOON 05/02/23		MATERIAL NO. SEE TABLE	DRAWING NO. SD-49228-001	SHEET NO. 1 OF 1	
		CAD FILENAME SD49228M	DRAFT WHERE APPLICABLE MUST REMAIN WITHIN DIMENSIONS		THIS DRAWING CONTAINS INFORMATION THAT IS PROPRIETARY TO MOLEX INCORPORATED AND SHOULD NOT BE USED WITHOUT WRITTEN PERMISSION.			