

14 Pin DIP Delayed Pulse Width Generator TTL Compatible Active Delay Line Modules

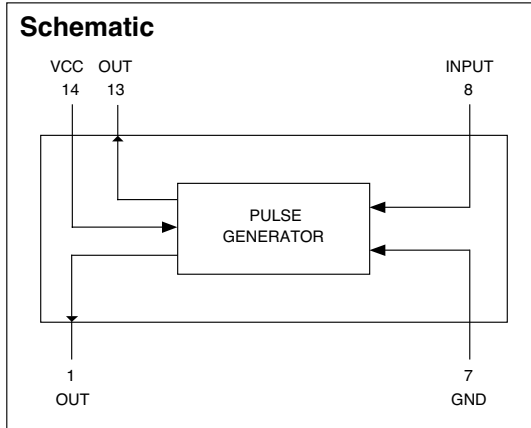
Features

- Precise output pulse width
- Positive-edge triggered (10 nS) min.
- Fast rise and fall time (4 nS max. measured from 0.75V to 2.4V)
- Low Profile 14 pin DIP for auto-insertion
- Propagation Delays : 7 ± 2 nS from pin 8 to pin 1
: 7 ± 2 nS from pin 8 to pin 13

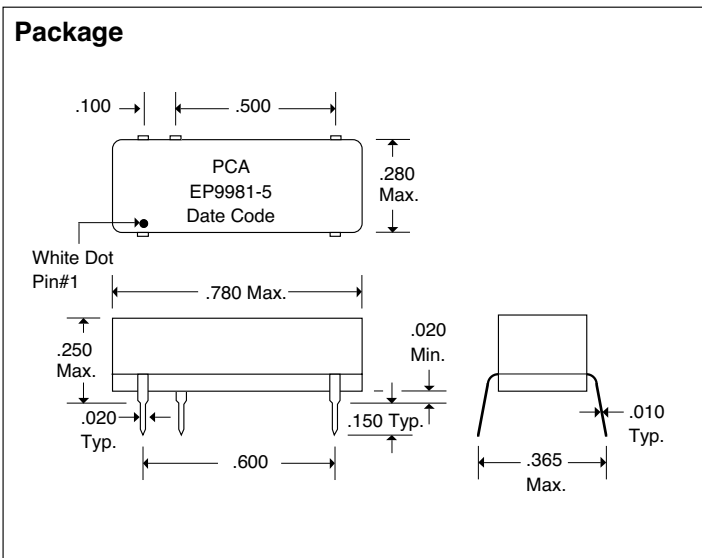
PART NUMBER	PULSE WIDTH * ± 2 NS or $\pm 5\%$ † (PWO)	MAX OUTPUT FREQ (MHz)
EP9981-5	5	100
EP9981-10	10	50
EP9981-15	15	33
EP9981-20	20	25
EP9981-25	25	20
EP9981-30	30	16
EP9981-35	35	14
EP9981-40	40	12
EP9981-45	45	11
EP9981-50	50	10
EP9981-60	60	8.4
EP9981-70	70	7.1
EP9981-80	80	6.3
EP9981-90	90	5.5
EP9981-100	100	5.0

* Measured at 1.5V Levels
† Whichever is greater.

DC Electrical Characteristics			Min	Max	Unit
Parameter	Test Conditions				
V _{OH}	High-Level Output Voltage	V _{CC} = min. V _{IL} = max. I _{OH} = max	2.7		V
V _{OL}	Low-Level Output Voltage	V _{CC} = min. V _{IH} = min. I _{OL} = max		0.5	V
V _{IK}	Input Clamp Voltage	V _{CC} = min. I _I = I _{IK}		-1.2V	V
I _{IH}	High-Level Input Current	V _{CC} = max. V _{IN} = 2.7V		50	μA
I _{IL}	Low-Level Input Current	V _{CC} = max. V _{IN} = 0.5V		-2	mA
I _{OS}	Short Circuit Output Current	V _{CC} = max.	-40	-100	mA
I _{CCH}	High-Level Supply Current	V _{CC} = max. V _{IN} = OPEN		75	mA
I _{CCL}	Low-Level Supply Current	V _{CC} = max. V _{IN} = 0		75	mA
N _H	Fanout High-Level Output	V _{CC} = max. V _{OH} = 2.7V		20 TTL LOAD	
N _L	Fanout Low-Level Output	V _{CC} = max. V _{OL} = 0.5V		10 TTL LOAD	



Recommended Operating Conditions		Min	Max	Unit
V _{CC}	Supply Voltage	4.75	5.25	V
V _{IH}	High-Level Input Voltage	2.0		V
V _{IL}	Low-Level Input Voltage		0.8	V
I _{IK}	Input Clamp Current		-18	mA
I _{OH}	High-Level Output Current		-1.0	mA
I _{OL}	Low-Level Output Current		20	mA
P	Period	P _{WO} x2		nS
P _{WI}	Input Pulse Width	10		nS
T _A	Operating Free-Air Temperature	0	+70	°C



Input Pulse Test Conditions @ 25° C		Unit
E _{IN}	Pulse Input Voltage	3.2 Volts
T _{RI}	Pulse Rise Time	2.0 nS
P _{WI}	Pulse Width	10 nS
P	Period	P _{WO} x2 nS
V _{CC}	Supply Voltage	20 nS (For EP9981-5)
		5.0 Volts