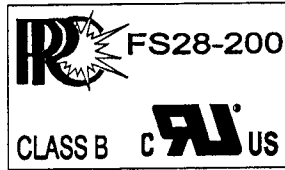


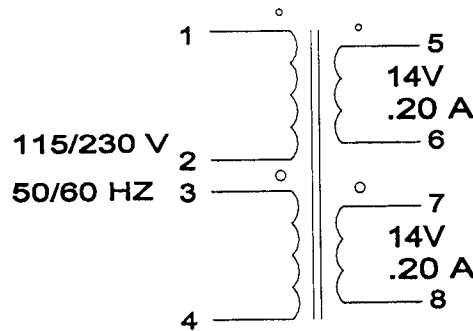
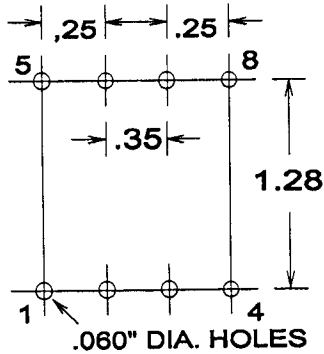
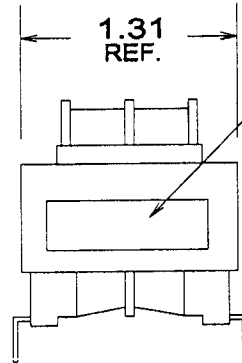
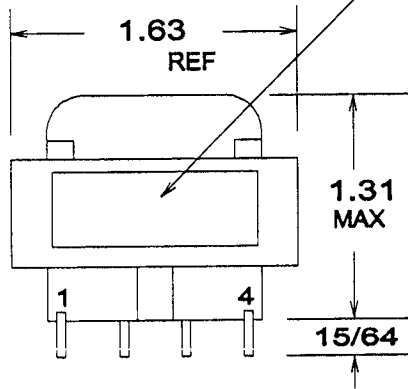
TOLERANCE UNLESS SPECIFIED = .XXX = +/- .005 .XX = +/- .015 FRACTIONS = +/- .032

FS28-200.DC2

YYWW = YEAR, WEEK
XXX = SITECODE



EIA-17-YYWW
XXX B10



PRODUCTION TESTS

URNS RATIO = 100%

DC RESISTANCE IN OHMS	1-2 = 230 TO 283
	3-4 = 287 TO 350
	5-6 = 5.4 TO 6.6
	7-8 = 6.4 TO 7.8

MAX EXCITATION CURRENT = .015 A
APPLY = 230V 60 HZ, 1-4, TIE 2+3

OPEN CIRCUIT VOLTAGE TEST:

230V 60 HZ, 1-4, TIE 2+3

EACH PRI = 114.5 TO 115.5 V

EACH SEC = 16.4 TO 17.2 V

HIPOT = 2500V PRI'S TO SEC'S

1500V PRI'S, SEC'S TO CORE

500V P-P, S-S

IMPREGNATION NOTES = 2 HOUR PREHEAT
PINS MUST BE FREE OF IMPREG.

FINAL ASSEMBLY NOTES

METHOD

1 X 1

MARKING

SEE LABEL DETAIL ABOVE



PART NO. : FS28-200