

PRELIMINARY DATA SHEET



PHOTOCOUPLER PS9551L4

HIGH CMR, DIGITAL OUTPUT TYPE OPTICAL COUPLED ISOLATION AMPLIFIER (SIGMA-DELTA MODULATOR)

–NEPOC Series–

DESCRIPTION

The PS9551L4 is an optical coupled isolation amplifier that uses an IC provided with a high-accuracy A/D conversion function (sigma-delta modulation method) and a GaAlAs light-emitting diode with high-speed response and high luminance efficiency on the input side. On the output side IC provided with an encoding function.

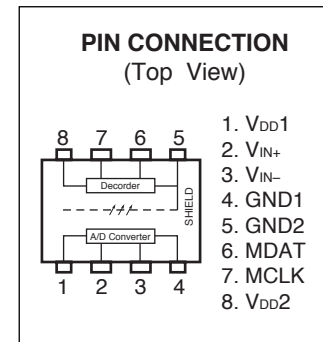
The PS9551L4 is designed specifically for high common mode transient immunity (CMR) and high linearity (non-linearity). The PS9551L4 is suitable for current sensing in motor drives.

FEATURES

- Non-linearity (INL = 30 LSB MAX.)
- High common mode transient immunity (CMR = 10 kV/ μ S MIN.)
- High isolation voltage (BV = 5 000 Vr.m.s.)
- Package: 8-pin DIP lead bending type (Gull-wing) for long creepage distance for surface mount (L4)
- Ordering number of tape product: PS9551L4-E3: 1 000 pcs/reel
- Pb-Free product
- Safety standards
 - UL approved: File No. E72422
 - CSA approved: No. CA 101391
 - BSI approved: No. 8937, 8938
 - SEMKO approved: No. 611507
 - NEMKO approved: No. P06207243
 - DEMKO approved: No. 313935
 - FIMKO approved: No. FI 22827
 - DIN EN60747-5-2 (VDE0884 Part2) approved (Option)

APPLICATIONS

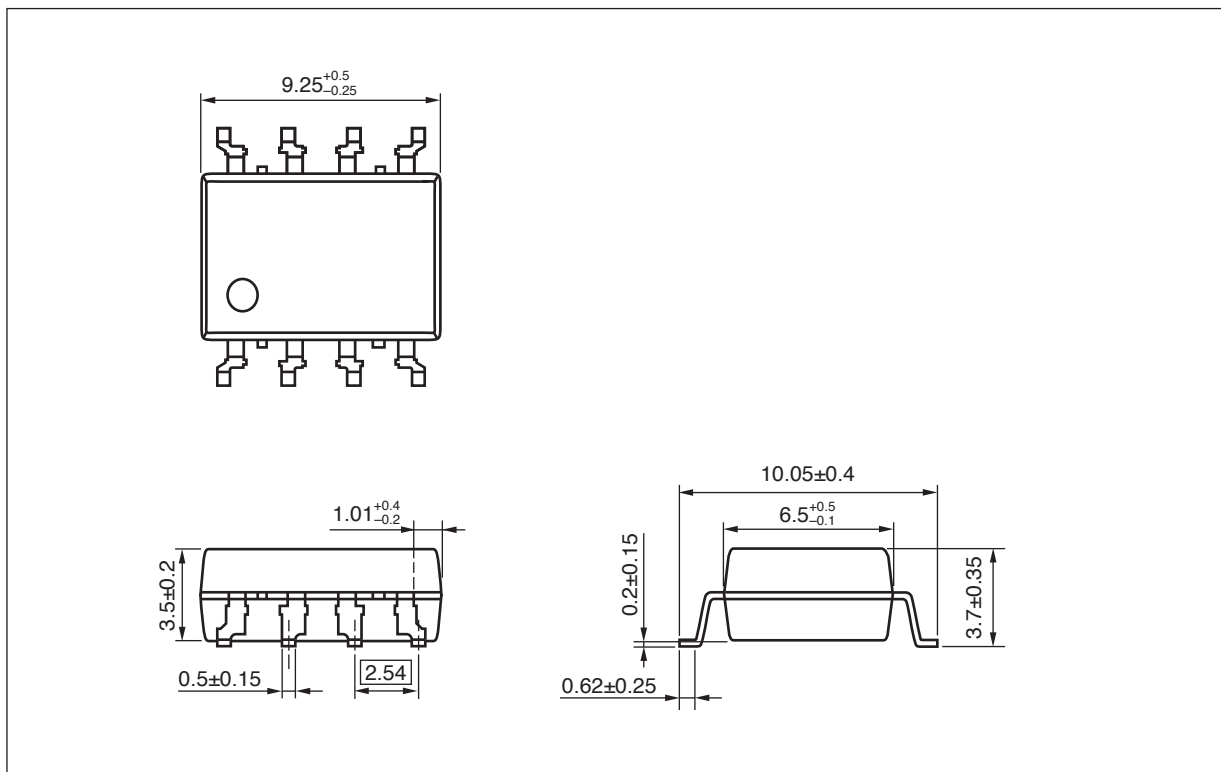
- AC Servo, inverter
- Measurement equipment



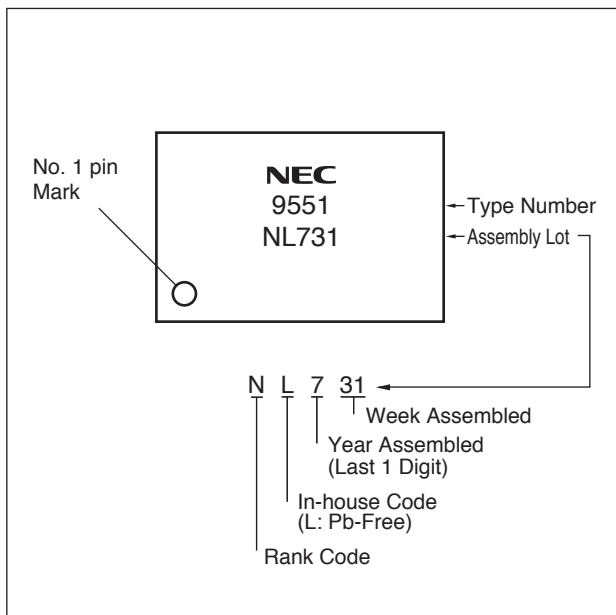
The information in this document is subject to change without notice. Before using this document, please confirm that this is the latest version.

PACKAGE DIMENSIONS (UNIT: mm)

Lead Bending Type (Gull-wing) For Long Creepage Distance For Surface Mount (L4)



MARKING EXAMPLE



ABSOLUTE MAXIMUM RATINGS (T_A = 25°C, unless otherwise specified)

Parameter	Symbol	MIN.	MAX.	Unit
Operating Ambient Temperature	T _A	-40	85	°C
Storage Temperature	T _{stg}	-55	125	°C
Supply Voltage	V _{DD1} , V _{DD2}	0	5.5	V
Input Voltage	V _{IN+} , V _{IN-}	-2	V _{DD1} +0.5	V
2 Seconds Transient Input Voltage	V _{IN+} , V _{IN-}	-6	V _{DD1} +0.5	V
Output Voltage	MCLK, MDAT	-0.5	V _{DD2} +0.5	V

RECOMMENDED OPERATING CONDITIONS (T_A = 25°C, unless otherwise specified)

Parameter	Symbol	MIN.	MAX.	Unit
Operating Ambient Temperature	T _A	-40	85	°C
Supply Voltage	V _{DD1} , V _{DD2}	4.5	5.5	V
Input Voltage (Accurate and Linear)	V _{IN+} , V _{IN-}	-200	200	mV

ELECTRICAL CHARACTERISTICS (DC Characteristics)(TYP.: $T_A = 25^\circ\text{C}$, $V_{IN+} = V_{IN-} = 0\text{ V}$, $V_{DD1} = V_{DD2} = 5\text{ V}$,MIN., MAX.: $T_A = -40$ to $+85^\circ\text{C}$, $V_{IN+} = V_{IN-} = -200$ to 200 mV , $V_{DD1} = V_{DD2} = 4.5$ to 5.5 V , unless otherwise specified)

Parameter	Symbol	Conditions	MIN.	TYP.	MAX.	Unit
Input Supply Current	I_{DD1}	$V_{IN+} = 350\text{ mV}$		14.5	18	mA
Output Supply Current	I_{DD2}	$V_{IN+} = -350\text{ mV}$		10	15	
Input Bias Current	I_{IN+}			-0.8		μA
Low Level Output Voltage	V_{OL}	$I_{OUT} = 1.6\text{ mA}$		0.1	0.6	V
High Level Output Voltage	V_{OH}	$I_{OUT} = -100\ \mu\text{A}$	3.9	4.9		V
Output Short-circuit Current	$ I_{OSC} $	$V_{OUT} = V_{DD2}$ or $V_{OUT} = \text{GND2}$		30		mA
Equivalent Input Resistance	R_{IN}			300		$\text{k}\Omega$
Output Clock Frequency	f_{CLK}		8.2	10	13.2	MHz
Data Hold Time ^{*1}	t_{HDDAT}		15			ns
Input DC Common-Mode Rejection Ratio ^{*2}	CMRR_{IN}			60		dB

*1 The data hold time is that MDAT will stay stable following the rising edge of MCLK.

*2 CMRR_{IN} is defined as the ratio of the differential signal gain (apply the differential signal between V_{IN+} and V_{IN-}) to the isolation-mode gain (connect both input pins to GND1 and apply the signal between (PS9551L4's) input and output) at 60 Hz. This value is indicated in dB.

ELECTRICAL CHARACTERISTICS (Tested with filter IC (specified by NEC Electronics))(TYP.: $T_A = 25^\circ\text{C}$, $V_{IN+} = V_{IN-} = 0\text{ V}$, $V_{DD1} = V_{DD2} = 5\text{ V}$,MIN., MAX.: $T_A = -40\text{ to }+85^\circ\text{C}$, $V_{IN+} = V_{IN-} = -200\text{ to }200\text{ mV}$, $V_{DD1} = V_{DD2} = 4.5\text{ to }5.5\text{ V}$, unless otherwise specified)

Parameter	Symbol	Conditions	MIN.	TYP.	MAX.	Unit
Integral Non-linearity ^{*1}	INL	$-200\text{ mV} \leq V_{IN+} \leq 200\text{ mV}$		12	30	LSB
				0.04	0.14	%
Input Offset Voltage	V_{OS}	$V_{IN+} = 0\text{ V}$	-3	0	3	mV
Input Offset Voltage Drift vs. Temperature	$ dV_{OS}/dT_A $	$V_{IN+} = 0\text{ V}$, $T_A = -40\text{ to }+85^\circ\text{C}$		2	10	$\mu\text{V}/^\circ\text{C}$
Input Offset Voltage Drift vs. V_{DD1}	$ dV_{OS}/dV_{DD1} $	$V_{IN+} = 0\text{ V}$		0.12		mV/V
Internal Reference Voltage	$ V_{REF} $			320		mV
Absolute Internal Reference Voltage Tolerance	-		-4		4	%
Internal Reference Voltage Drift vs. Temperature	$ dV_{REF}/dT_A $	$T_A = -40\text{ to }+85^\circ\text{C}$		60		ppm/ $^\circ\text{C}$
Common Mode Transient Immunity ^{*2}	CMR	$V_{CM} = 1\text{ kV}$, $T_A = 25^\circ\text{C}$	10	15		kV/ μs

*1 Integral Non-linearity: Half of peak-to-peak output voltage deviation from best fit gain line.

*2 CMR is tested by applying steep rise/fall time (50 ns) voltage step between PS9551L4's input and output.

PACKAGE CHARACTERISTICS

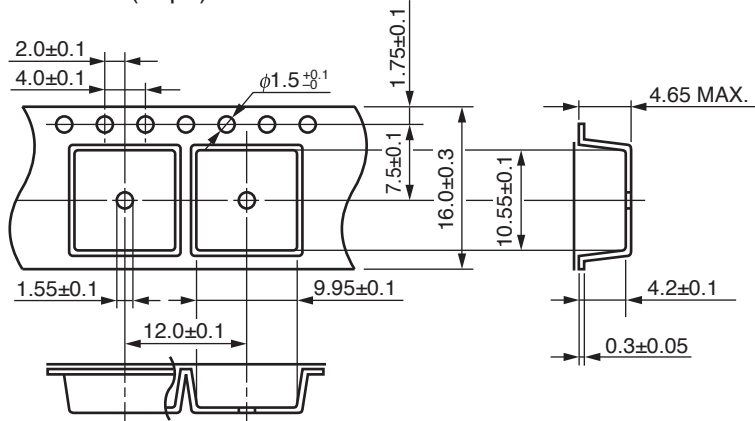
Parameter	Symbol	Conditions	MIN.	TYP.	MAX.	Unit
Isolation Voltage	BV	$RH = 60\%$, $t = 1\text{ min.}$, $T_A = 25^\circ\text{C}$	5 000			Vr.m.s.
Isolation Resistance	R_{I-O}	$V_{I-O} = 500\text{ V}_{DC}$		$> 10^9$		Ω
Isolation Capacitance	C_{I-O}	$f = 1\text{ MHz}$		1.2		pF

USAGE CAUTIONS

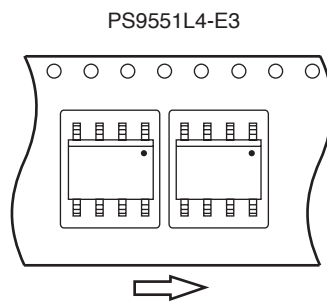
1. This product is weak for static electricity by designed with high-speed integrated circuit so protect against static electricity when handling.
2. Board designing
 - (1) By-pass capacitor of more than $0.1\ \mu\text{F}$ is used between V_{DD} and GND near device. Also, ensure that the distance between the leads of the photocoupler and capacitor is no more than 10 mm.
 - (2) Make sure the distance between input terminal (V_{IN+} and V_{IN-}) of PS9551L4 and the devices (or components) to be connected is as close as possible.
 - (3) Make sure the distance between output terminal (V_{OUT+} and V_{OUT-}) of PS9551L4 and the devices (or components) to be connected is as close as possible.
3. Avoid storage at a high temperature and high humidity.

TAPING SPECIFICATIONS (UNIT: mm)

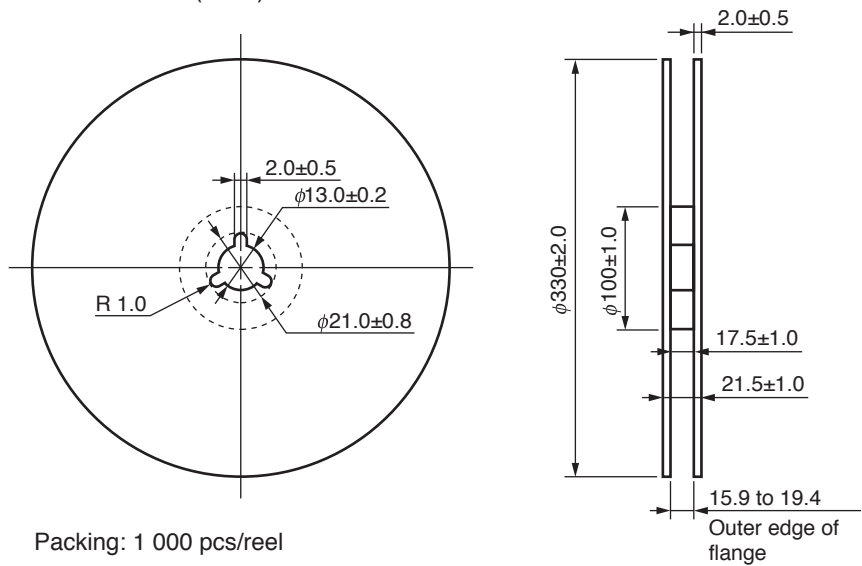
Outline and Dimensions (Tape)



Tape Direction



Outline and Dimensions (Reel)



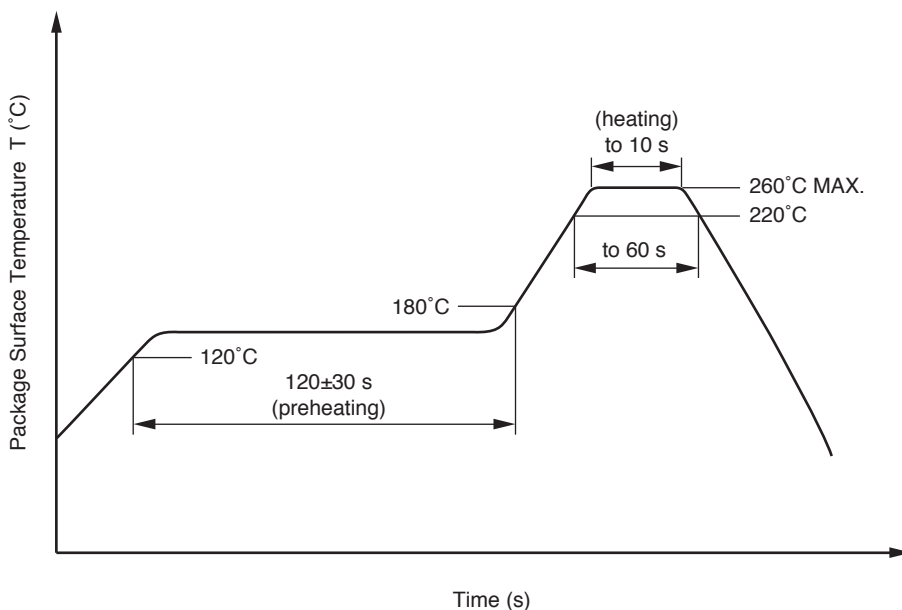
NOTES ON HANDLING

1. Recommended soldering conditions

(1) Infrared reflow soldering

- Peak reflow temperature 260°C or below (package surface temperature)
- Time of peak reflow temperature 10 seconds or less
- Time of temperature higher than 220°C 60 seconds or less
- Time to preheat temperature from 120 to 180°C 120±30 s
- Number of reflows Three
- Flux Rosin flux containing small amount of chlorine (The flux with a maximum chlorine content of 0.2 Wt% is recommended.)

Recommended Temperature Profile of Infrared Reflow



(2) Wave soldering

- Temperature 260°C or below (molten solder temperature)
- Time 10 seconds or less
- Preheating conditions 120°C or below (package surface temperature)
- Number of times One (Allowed to be dipped in solder including plastic mold portion.)
- Flux Rosin flux containing small amount of chlorine (The flux with a maximum chlorine content of 0.2 Wt% is recommended.)

(3) Soldering by soldering iron

- Peak temperature (lead part temperature) 350°C or below
- Time (each pins) 3 seconds or less
- Flux Rosin flux containing small amount of chlorine (The flux with a maximum chlorine content of 0.2 Wt% is recommended.)

- (a) Soldering of leads should be made at the point 1.5 to 2.0 mm from the root of the lead.
- (b) Please be sure that the temperature of the package would not be heated over 100°C.

(4) Cautions

- Fluxes

Avoid removing the residual flux with freon-based and chlorine-based cleaning solvent.

2. Cautions regarding noise

Be aware that a malfunction may occur if voltage is applied suddenly between the photocoupler's input and output, even if the voltage is within the absolute maximum ratings.

- **The information in this document is current as of October, 2007. The information is subject to change without notice. For actual design-in, refer to the latest publications of NEC Electronics data sheets or data books, etc., for the most up-to-date specifications of NEC Electronics products. Not all products and/or types are available in every country. Please check with an NEC Electronics sales representative for availability and additional information.**
- No part of this document may be copied or reproduced in any form or by any means without the prior written consent of NEC Electronics. NEC Electronics assumes no responsibility for any errors that may appear in this document.
- NEC Electronics does not assume any liability for infringement of patents, copyrights or other intellectual property rights of third parties by or arising from the use of NEC Electronics products listed in this document or any other liability arising from the use of such products. No license, express, implied or otherwise, is granted under any patents, copyrights or other intellectual property rights of NEC Electronics or others.
- Descriptions of circuits, software and other related information in this document are provided for illustrative purposes in semiconductor product operation and application examples. The incorporation of these circuits, software and information in the design of a customer's equipment shall be done under the full responsibility of the customer. NEC Electronics assumes no responsibility for any losses incurred by customers or third parties arising from the use of these circuits, software and information.
- While NEC Electronics endeavors to enhance the quality, reliability and safety of NEC Electronics products, customers agree and acknowledge that the possibility of defects thereof cannot be eliminated entirely. To minimize risks of damage to property or injury (including death) to persons arising from defects in NEC Electronics products, customers must incorporate sufficient safety measures in their design, such as redundancy, fire-containment and anti-failure features.
- NEC Electronics products are classified into the following three quality grades: "Standard", "Special" and "Specific".

The "Specific" quality grade applies only to NEC Electronics products developed based on a customer-designated "quality assurance program" for a specific application. The recommended applications of an NEC Electronics product depend on its quality grade, as indicated below. Customers must check the quality grade of each NEC Electronics product before using it in a particular application.

"Standard": Computers, office equipment, communications equipment, test and measurement equipment, audio and visual equipment, home electronic appliances, machine tools, personal electronic equipment and industrial robots.

"Special": Transportation equipment (automobiles, trains, ships, etc.), traffic control systems, anti-disaster systems, anti-crime systems, safety equipment and medical equipment (not specifically designed for life support).

"Specific": Aircraft, aerospace equipment, submersible repeaters, nuclear reactor control systems, life support systems and medical equipment for life support, etc.

The quality grade of NEC Electronics products is "Standard" unless otherwise expressly specified in NEC Electronics data sheets or data books, etc. If customers wish to use NEC Electronics products in applications not intended by NEC Electronics, they must contact an NEC Electronics sales representative in advance to determine NEC Electronics' willingness to support a given application.

(Note)

- (1) "NEC Electronics" as used in this statement means NEC Electronics Corporation and also includes its majority-owned subsidiaries.
- (2) "NEC Electronics products" means any product developed or manufactured by or for NEC Electronics (as defined above).

Caution	GaAs Products	<p>This product uses gallium arsenide (GaAs). GaAs vapor and powder are hazardous to human health if inhaled or ingested, so please observe the following points.</p> <ul style="list-style-type: none">• Follow related laws and ordinances when disposing of the product. If there are no applicable laws and/or ordinances, dispose of the product as recommended below.<ol style="list-style-type: none">1. Commission a disposal company able to (with a license to) collect, transport and dispose of materials that contain arsenic and other such industrial waste materials.2. Exclude the product from general industrial waste and household garbage, and ensure that the product is controlled (as industrial waste subject to special control) up until final disposal.• Do not burn, destroy, cut, crush, or chemically dissolve the product.• Do not lick the product or in any way allow it to enter the mouth.
----------------	---------------	--