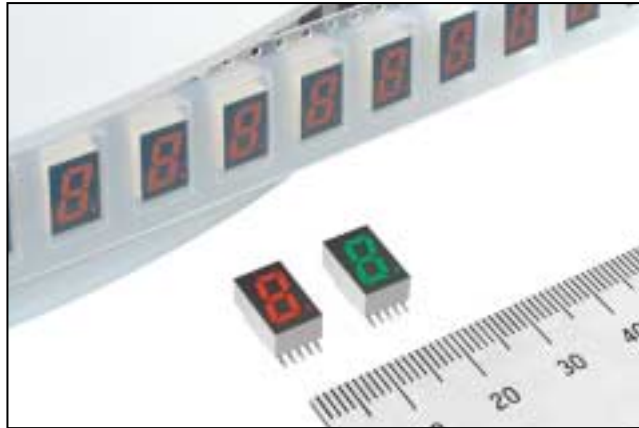


Surface Mount LED Numeric Displays

LF-301VA/VK

LF-301MA/MK



● Outline

Surface Mount LED Numeric Displays have ROHM original structure that realizes reflow soldering.

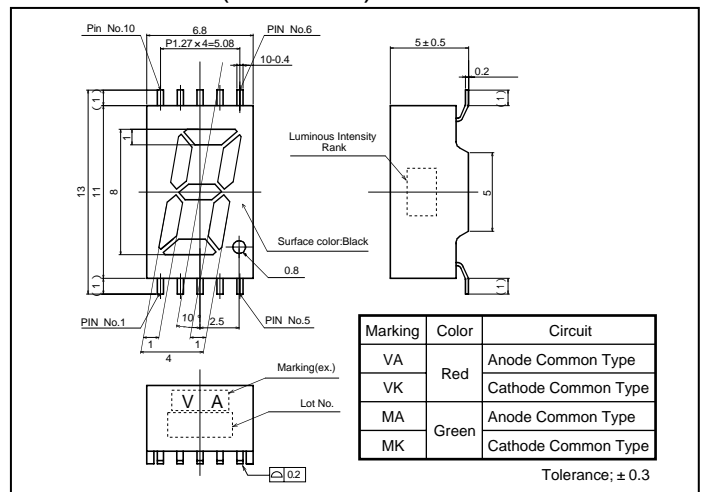
● Applications

FA equipments, Amusement equipments

● Characteristics

Re-flow soldering
Pb-free available
Automatic mounting with taping Pack

● Dimensions (Unit : mm)



● Absolute maximum ratings/Electrical and optical characteristics (Ta=25 °C)

Part No.	Emitting color	Absolute maximum ratings(Ta=25 °C)						Electrical and optical characteristics(Ta=25 °C)										
		Power dissipation Pd (mW)	Forward current If (mA)	Peak forward current * Ifp (mA)	Reverse voltage Vr (V)	Operating temperature Topr (°C)	Storage temperature Tstg (°C)	Forward voltage Vf			Reverse current Ir		Light wavelength Peak P			Luminous intensity IV		
								Typ.	Max.	If	Max.	Vr	Min.	Typ.	If	Min.	Typ.	If
LF-301VA/VK	Red	320	15	60	5	-25~+75	-30~+85	2	2.8	10	100	3	650	40	10	3.6	10	10
LF-301MA/MK	Green	480	20					2.1					563					

Note *Ifp measured under Duty ≤ 1/5, Pulse Width ≤ 1 msec.
*Ratings and characteristics are value per one chip. Luminous intensity is single digit brightness.

The products listed in this catalog are designed to be used with ordinary electronic equipment or devices (such as audio visual equipment, office-automation equipment, communications devices, electrical appliances and electronic toys). Should you intend to use these products with equipment or devices which require an extremely high level of reliability and the malfunction of which would directly endanger human life (such as medical instruments, transportation equipment, aerospace machinery, nuclear-reactor controllers, fuel controllers and other safety devices), please be sure to consult with our sales representative in advance.

ROHM CO., LTD.

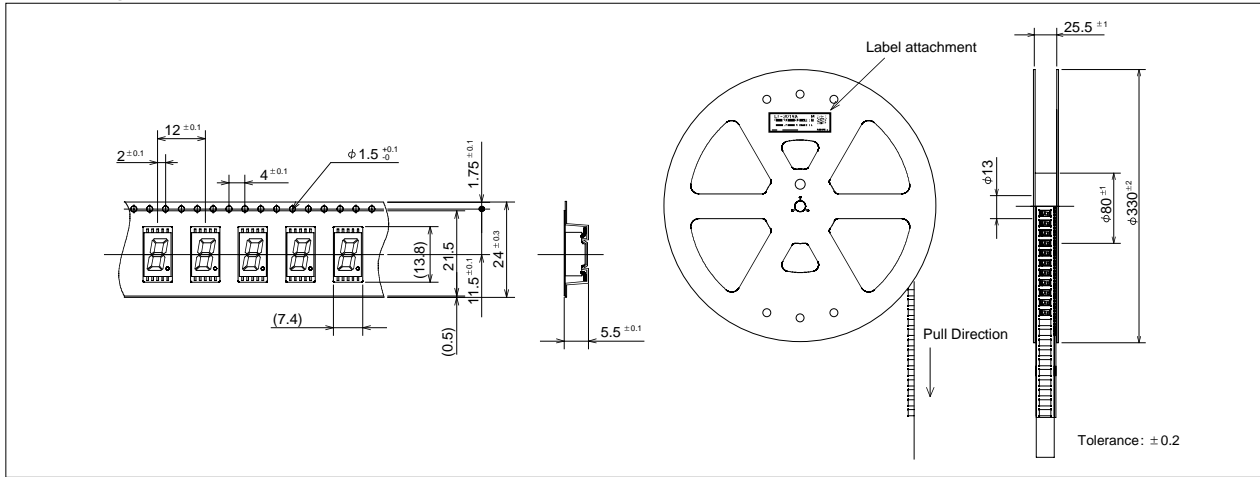
21, Saini Mizosaki-cho, Ukyo-ku, Kyoto 615-8585, Japan
TEL:(075)311-2121 FAX:(075)315-0172
URL <http://www.rohm.com>

● ROHM assumes no responsibility for the use of any circuits described herein, conveys no license under any patent or other right, and makes no representations that the circuits are free from patent infringement.
● Specifications subject to change without notice for the purpose of improvement.

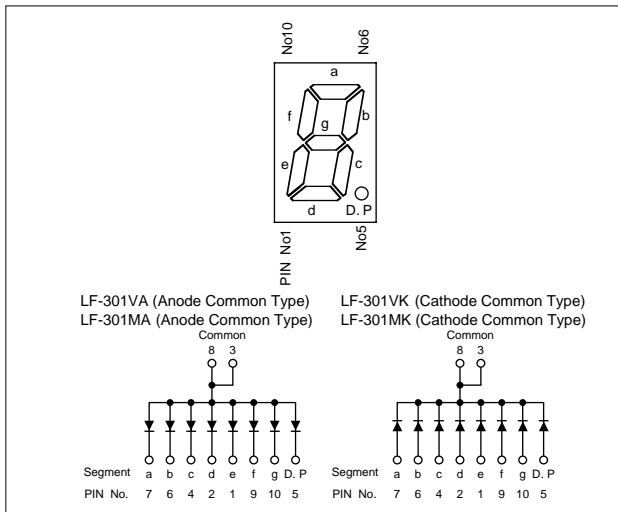
● Current specifications in effect of

May 2003

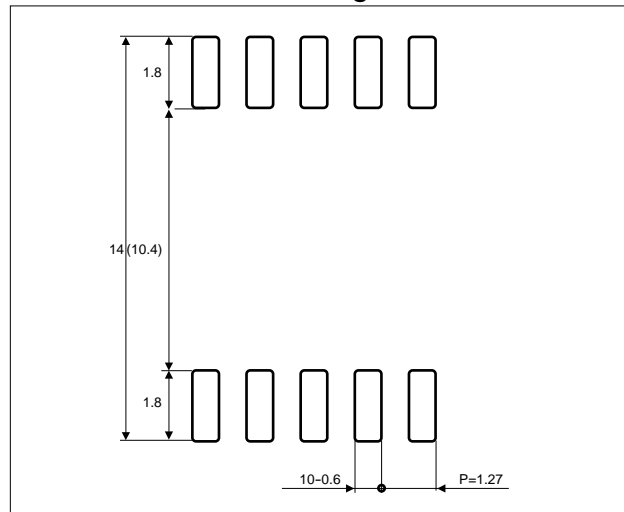
● Taping Spec



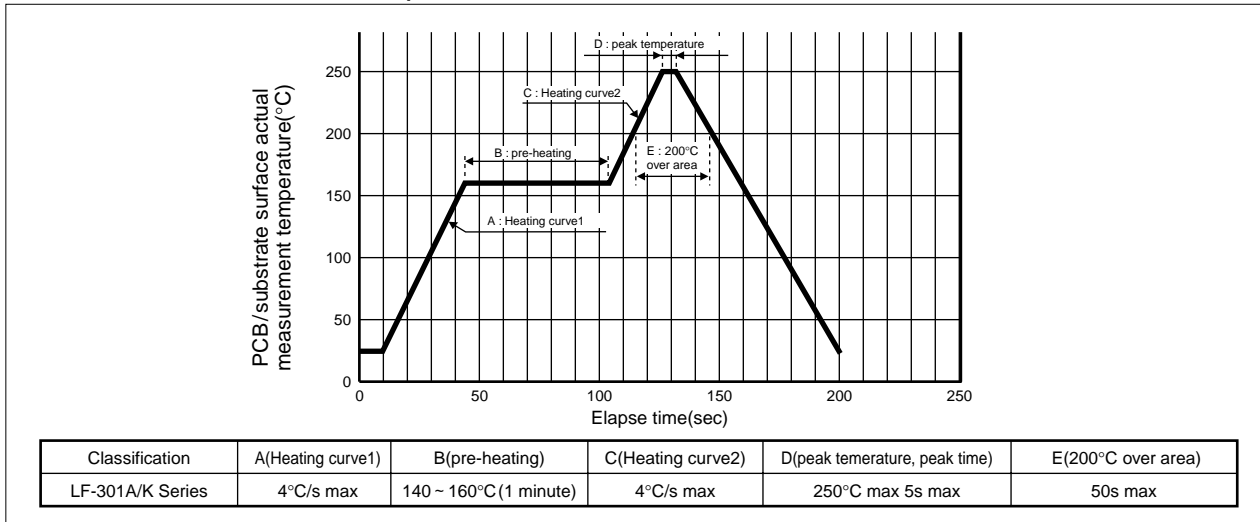
● Circuits



● Recommend Soldering Pattern



● Recommend Re-flow Temperature Profile



Contact us for further information about the products.

Atlanta U.S.A. / ROHM ELECTRONICS EASTERN SALES DIVISION
(DIVISION OF ROHM ELE.U.S.A.,LLC)
TEL: +1(770)754-5972 FAX: +1(770)754-0691

Dallas U.S.A. / ROHM ELECTRONICS CENTRAL SALES DIVISION
(DIVISION OF ROHM ELE.U.S.A.,LLC)
TEL: +1(972)312-8818 FAX: +1(972)312-0330

San Diego U.S.A. / ROHM ELECTRONICS WESTERN SALES DIVISION
(DIVISION OF ROHM ELE.U.S.A.,LLC)
TEL: +1(858)625-3630 FAX: +1(858)625-3670

Germany / ROHM ELECTRONICS GERMANY SALES DIVISION
(DIVISION OF ROHM ELECTRONICS GMBH)
TEL: +49(2154)9210 FAX: +49(2154)921400

United Kingdom / ROHM ELECTRONICS UK SALES DIVISION
(DIVISION OF ROHM ELECTRONICS GMBH)
TEL: +44(1)908-282-666 FAX: +44(1)908-282-528

France / ROHM ELECTRONICS FRANCE SALES DIVISION
(DIVISION OF ROHM ELECTRONICS GMBH)
TEL: +33(1)41 23 14 00 FAX: +33(1)41 23 14 30

Hong Kong China / ROHM ELECTRONICS (H.K.) CO., LTD.
TEL: +852(2)7406262 FAX: +852(2)3758971

Shanghai China / ROHM ELECTRONICS (SHANGHAI) CO., LTD.
TEL: +86(21)6279-2727 FAX: +86(21)6247-2066

Dalian China / ROHM ELECTRONICS TRADING (DALIAN) CO., LTD.
TEL: +86(41)1230-8549 FAX: +86(41)1230-8537

Beijing China / BEIJING REPRESENTATIVE OFFICE
TEL: +86(10)8451-2426 FAX: +86(10)6460-9518

Taiwan / ROHM ELECTRONICS TAIWAN CO., LTD.
TEL: +886(2)2500-6956 FAX: +886(2)2503-2869

Korea / ROHM ELECTRONICS KOREA CORPORATION
TEL: +82(2)8182-700 FAX: +82(2)8182-715

Singapore / ROHM ELECTRONICS ASIA PTE.LTD. (RES / REI)
TEL: +65-332-2322 FAX: +65-332-5662

Malaysia / ROHM ELECTRONICS (MALAYSIA) SDN. BHD.
TEL: +60(3)7958-8355 FAX: +60(3)7958-8377

Philippines / ROHM ELECTRONICS (PHILIPPINES) SALES CORPORATION
TEL: +63(2)807-6872 FAX: +63(2)809-1422

Thailand / ROHM ELECTRONICS (THAILAND) CO., LTD.
TEL: +66(2)254-4890 FAX: +66(2)256-6334