

PLEASE CHECK WWW.MOLEX.COM FOR LATEST PART INFORMATION

Part Number: [0355130200](#)
Status: **Active**
Description: FSM Bulb Socket Receptacle

Documents:

[3D Model](#) [Product Specification PS-35512-001 \(PDF\)](#)
[Drawing \(PDF\)](#) [RoHS Certificate of Compliance \(PDF\)](#)

General

Product Family	Other Sockets
Series	35513
Component Type	Socket
Product Name	Bulb Socket

Physical

Circuits (Loaded)	2
Circuits (maximum)	2
Color - Resin	Gray
Durability (mating cycles max)	50
Entry Angle	Vertical
Keying to Mating Part	None
Material - Metal	Phosphor Bronze
Material - Resin	Nylon
PCB Locator	No
PCB Retention	N/A
Packaging Type	Bag
Pitch - Mating Interface (in)	0.272 In
Pitch - Mating Interface (mm)	6.90 mm
Pitch - Term. Interface (in)	0.272 In
Pitch - Term. Interface (mm)	6.90 mm

Electrical

Current - Maximum per Contact	5A
Voltage - Maximum	300V AC/DC

Material Info

Reference - Drawing Numbers

Product Specification	PS-35512-001
Sales Drawing	SD-35513-001

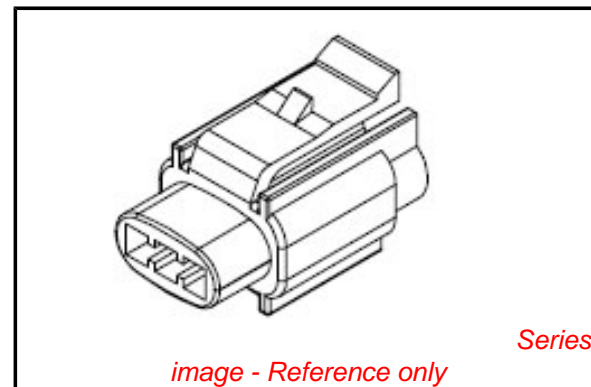


image - Reference only

EU RoHS

**ELV and RoHS
Compliant**
REACH SVHC
 Not Reviewed
**Halogen-Free
Status**

China RoHS



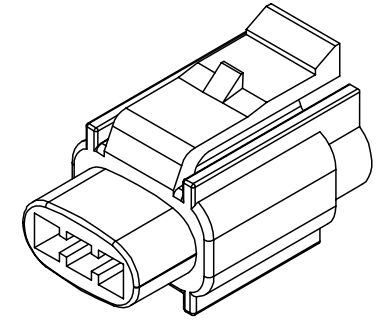
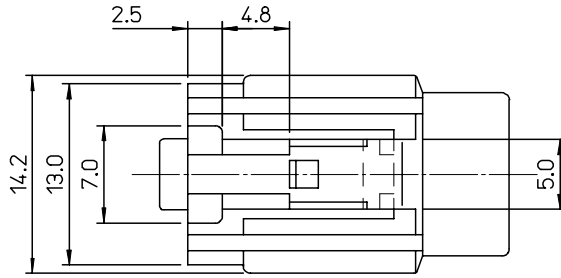
**Need more information on product
environmental compliance?**

Email productcompliance@molex.com
 For a multiple part number RoHS Certificate of
 Compliance, [click here](#)

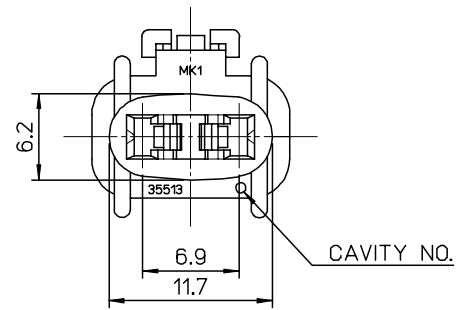
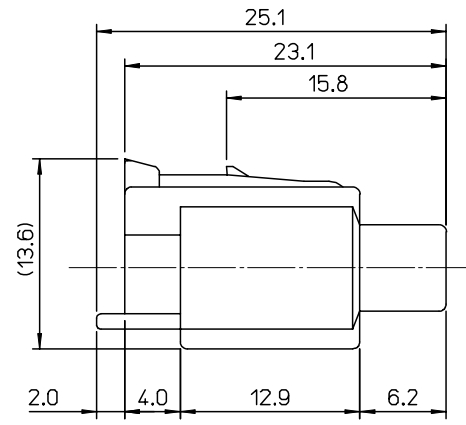
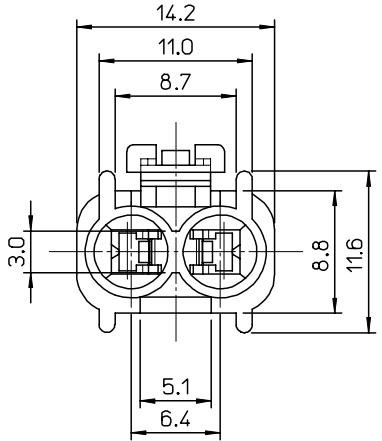
Please visit the [Contact Us](#) section for any
 non-product compliance questions.

Search Parts in this Series
[35513Series](#)

NO.	MATERIAL NO.	ENG. NO.
1	355130200	35513-0200



ISOMETRIC VIEW



NOTES

1. MATERIAL : POLYAMIDE(PA66), 40% MINERAL FILLED, UL94HB

CHANGED OF MATERIAL EC NO.: KOR2008-0070 DRW: NEEKIM 2007/10/04 CHK: BCY00N 2007/10/04 APPR: YUNSIKKIM 2007/10/02	QUALITY SYMBOLS ▽=0 ▽=0	GENERAL TOLERANCES (UNLESS SPECIFIED)		DIMENSION STYLE MM ONLY	SCALE 4:1	DESIGN UNITS METRIC	THIRD ANGLE PROJECTION	
		4 PLACES ± --- ± ---	mm INCH	DRAWN BY JKOH	DATE 1997/01/20	TITLE FSM FEMALE HOUSING 2P		
		3 PLACES ± --- ± ---		CHECKED BY BKCHOI	DATE 1997/01/20	MOLEX INCORPORATED		
		2 PLACES ± --- ± ---		APPROVED BY CWLEE	DATE 1997/01/20	MATERIAL NO. 355130200	DOCUMENT NO. SD-35513-001	SHEET NO. 1 OF 1
1 PLACE ± 0.3 ± ---		ANGULAR ± 1 °		DRAFT WHERE APPLICABLE MUST REMAIN WITHIN DIMENSIONS				
SIZE A2				THIS DRAWING CONTAINS INFORMATION THAT IS PROPRIETARY TO MOLEX INCORPORATED AND SHOULD NOT BE USED WITHOUT WRITTEN PERMISSION				