

PLEASE CHECK WWW.MOLEX.COM FOR LATEST PART INFORMATION

Part Number: [0534081479](#)
Status: **Active**
Description: 1.00mm (.039") Pitch Plug, Surface Mount, Dual Row, Vertical Stacking, 18.00mm (.709") Stack Height, Lead-free, 140 Circuits

Documents:

[3D Model](#) [Product Specification PS-52584-003 \(PDF\)](#)
[Drawing \(PDF\)](#) [RoHS Certificate of Compliance \(PDF\)](#)

General

Product Family PCB Headers
 Series [53408](#)
 Application Board-to-Board
 Product Name N/A

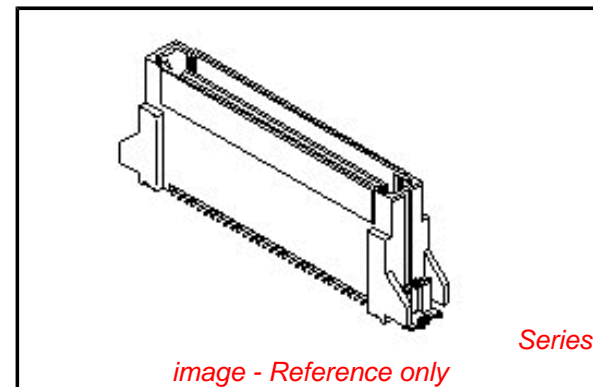
Physical

Breakaway No
 Circuits (Loaded) 140
 Circuits (maximum) 140
 Color - Resin Natural
 Durability (mating cycles max) 50
 First Mate / Last Break No
 Glow-Wire Compliant No
 Guide to Mating Part No
 Keying to Mating Part None
 Lock to Mating Part None
 Mated Height (in) 0.709 In, 0.785 In
 Mated Height (mm) 18.00 mm, 19.94 mm
 Material - Metal Phosphor Bronze
 Material - Plating Mating Gold
 Material - Plating Termination Tin
 Material - Resin High Temperature Thermoplastic
 Number of Rows 2
 Orientation Vertical
 PCB Locator Yes
 PCB Retention Yes
 PCB Thickness Recommended (in) 0.040 In
 PCB Thickness Recommended (mm) 1.00 mm
 Packaging Type Tube
 Pitch - Mating Interface (in) 0.039 In
 Pitch - Mating Interface (mm) 1.00 mm
 Plating min: Mating (µin) 10
 Plating min: Mating (µm) 0.25
 Plating min: Termination (µin) 40
 Plating min: Termination (µm) 1
 Polarized to PCB No
 Shrouded Fully
 Stackable No
 Temperature Range - Operating -55°C to +85°C
 Termination Interface: Style Surface Mount

Electrical

Current - Maximum per Contact 0.5A
 Voltage - Maximum 100V

Material Info



EU RoHS

ELV and RoHS Compliant
REACH SVHC
 Not Reviewed
Halogen-Free Status
 Not Reviewed

China RoHS



Need more information on product environmental compliance?

Email productcompliance@molex.com
 For a multiple part number RoHS Certificate of Compliance, [click here](#)

Please visit the [Contact Us](#) section for any non-product compliance questions.

Search Parts in this Series

[53408Series](#)

Mates With

PCB Receptacle [52584](#) , [52602](#)

Reference - Drawing Numbers

Product Specification
Sales Drawing

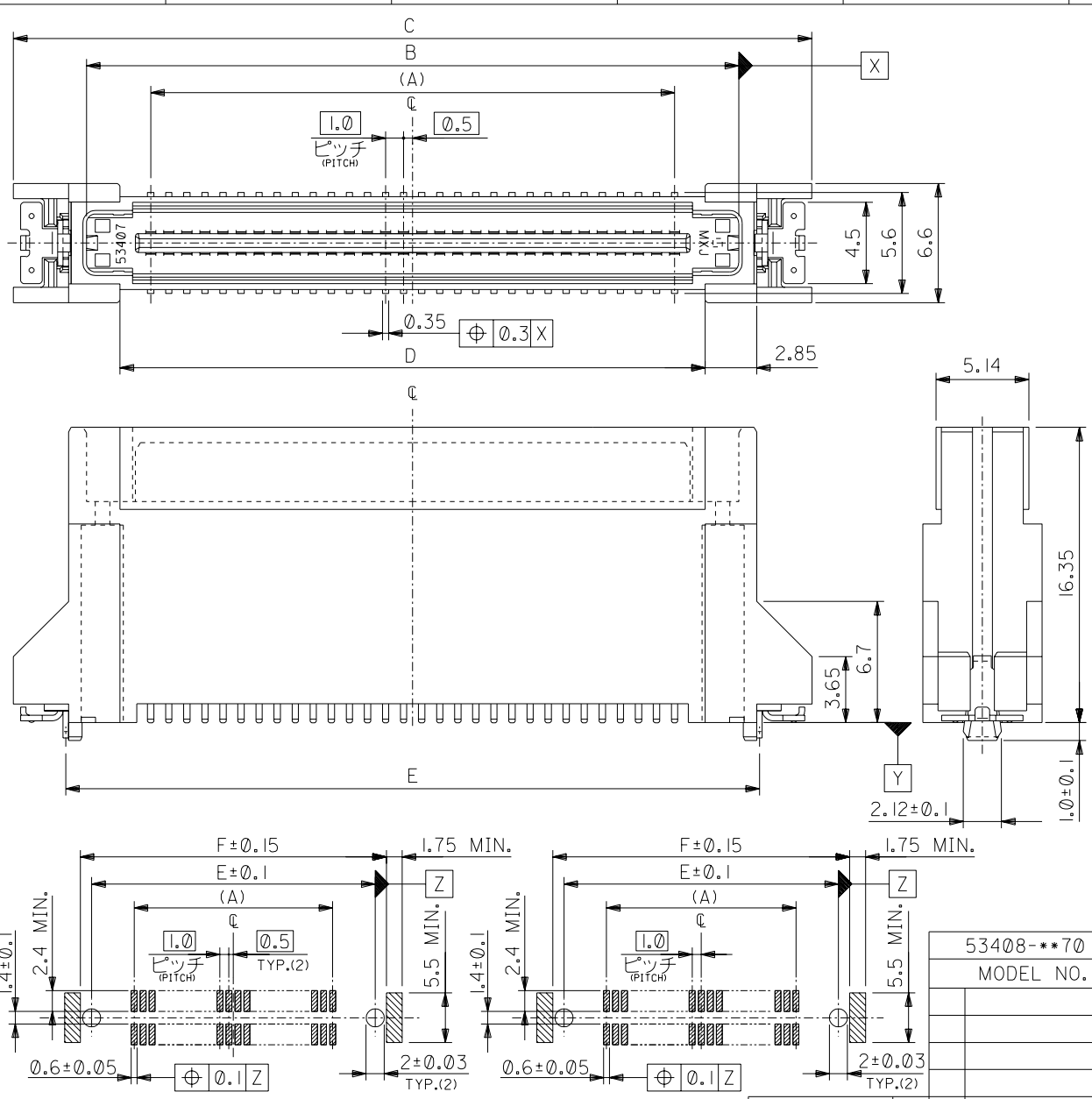
PS-52584-003, RPS-500017-002, RPS-52584-010
SD-53408-007, SD-53408-008

This document was generated on 04/19/2010

PLEASE CHECK WWW.MOLEX.COM FOR LATEST PART INFORMATION

DWG. NO. SD-53408-007

ALL DIMENSIONS IN METRIC DO NOT SCALE DRAWING



推奨基板寸法 (20, 24, 60, 80, 100, 120, 140極)
RECOMMENDED PCB PATTERN LAYOUT (20, 24, 60, 80, 100, 120, 140CKTS.)

推奨基板寸法 (50極)
RECOMMENDED PCB PATTERN LAYOUT (50 CKTS.)

8. 本製品は 53408-***0 の鉛フリー品である。
THIS PRODUCT IS LEAD FREE OF 53408-***0

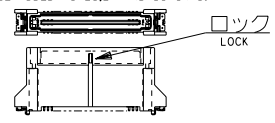
角度 ANGLE	±3°
30以上 OVER	+0.3
10以上 30未滿 UNDER	+0.25
未滿 10 UNDER	+0.2
一般公差 GENERAL TOLERANCES	

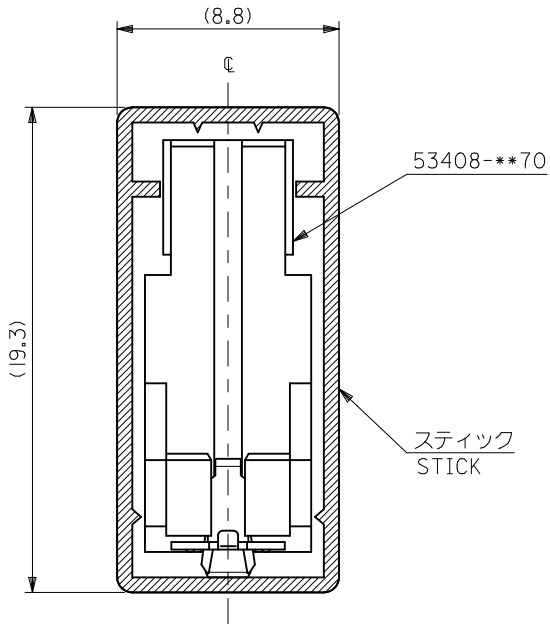
53408-***70	
MODEL NO.	
材料 MATERIAL	注参照 SEE NOTES
仕上げ FINISH	注参照 SEE NOTES
適用電線範囲 WIRE RANGE	—#—
被覆外径 INS. RANGE	—#—
DRAWN BY '04/03/11	CHK'D BY '04/03/11
M.NINOMIYA	K.TOJO
APP'D BY '04/03/11	DR. DATE
M.SASAO	

80.9	78.4	72.4	84.2	76.02	69	53408-1470	140	
70.9	68.4	62.4	74.2	66.02	59	53408-1270	120	
60.9	58.4	52.4	64.2	56.02	49	53408-1070	100	
50.9	48.4	42.4	54.2	46.02	39	53408-0870	80	
40.9	38.4	32.4	44.2	36.02	29	53408-0670	60	
35.9	33.4	27.4	39.2	31.02	24	53408-0570	50	
22.9	20.4	14.4	26.2	18.02	11	53408-2470	24	
20.9	18.4	12.4	24.2	16.02	9	53408-0270	20	
MODEL NO.	F	E	D	C	B	(A)	MATERIAL NO.	極数 NO.OF CKTS.

材料 MATERIAL	注参照 SEE NOTES	MOLEX-JAPAN CO.,LTD. 日本モレックス株式会社
仕上げ FINISH	注参照 SEE NOTES	REVISE ONLY ON CAD SYSTEM
適用電線範囲 WIRE RANGE	—#—	TITLE 名称
被覆外径 INS. RANGE	—#—	1.0 B-T0-B
DRAWN BY '04/03/11	CHK'D BY '04/03/11	S/T PLUG HS'G ASS'Y
M.NINOMIYA	K.TOJO	-LEAD FREE-
APP'D BY '04/03/11	DR. DATE	DWG. NO.
M.SASAO		SD-53408-007
一般公差 GENERAL TOLERANCES		REV
記号 LTR	変更内容 REVISION RECORD	0
DR. CHK.	DATE	

- 注) NOTES
- 材質 MATERIAL
ハウジング: ガラス入り LCP、白色、UL94V-0
HOUSING: F.LCP, WHITE, UL94V-0
ターミナル: 燐青銅 (t=0.2)
TERMINAL: PHOSPHOR BRONZE
金属ペグ: 燐青銅
METAL PEG: PHOSPHOR BRONZE
 - メッキ仕様 PLATING
ターミナル 接点部: 金メッキ 0.25 MICROMETER MIN.
TERMINAL CONTACT AREA: GOLD 0.25 MICROMETER MIN.
半田付け部: 錫メッキ 1.0 MICROMETER MIN.
SOLDER TAIL AREA: TIN 1.0 MICROMETER MIN.
下地メッキ: ニッケルメッキ 2.0 MICROMETER MIN.
UNDER-PLATING: NICKEL 2.0 MICROMETER MIN.
金属ペグ 半田付け部: 錫メッキ 1.0 MICROMETER MIN.
METAL PEG SOLDER TAIL AREA: TIN 1.0 MICROMETER MIN.
下地メッキ: ニッケルメッキ 1.0 MICROMETER MIN.
UNDER-PLATING: NICKEL 1.0 MICROMETER MIN.
 - 推奨基板厚 RECOMMENDED PCB THICKNESS
1.0±0.1mm
 - テールのバラツキ寸法 TAIL COPLANARITY
テールは、Y面を基準とし、上へ 0.02 下へ 0.15 の範囲に
めし、且つテール平坦度は 0.15 とする。
TAILS TO BE WITHIN 0.02 UPWARD AND 0.15 DOWNWARD FROM Y-DATUM PLANE,
AND TAIL COPLANARITY TO BE 0.15.
 - ロックは、20、24、50極に設置する。
LOCK TO BE ADDED TO 20, 24 AND 50 CKTS.
 - 梱包 PACKAGING
本製品はスティック梱包とし、梱包後の MATERIAL NO. は
53408-***79とする。
THIS PRODUCTS TO BE PACKED IN TUBE. MATERIAL NO.: 53408-***79
 - 同一基板内に複数個 (2個以上) の使用は避けてください。
MXJ DOES NOT RECOMMEND THE USAGE OF TWO OR MORE OF THESE CONNECTORS
BETWEEN A SINGLE PAIR OF P.C.BOARD.





注記
NOTES

1. スティック両端はキャップ止め。
BOTH ENDS WITH CAPS.
2. 全 長 : 600 ± 2
TOTAL LENGTH
3. 肉 厚 : 0.6 ± 0.2
THICKNESS
4. 本製品は 53408-***9 の鉛フリー品である。
THIS PRODUCT IS LEAD FREE OF 53408-***9.

6	53408-1479	140
7	53408-1279	120
8	53408-1079	100
10	53408-0879	80
13	53408-0679	60
14	53408-0579	50
21	53408-2479	24

MATERIAL

スティック : ポリ塩化ビニル
STICK : P.V.C.

REVISED EC NO: J2010-1426 DRWRTS:RUOKA 2010/01/25 CHKD:THARUYAMA 2010/01/27 APPR:HIRATA 2010/01/27	DESCRIPTION	GENERAL TOLERANCES (UNLESS SPECIFIED)		53408-**79	MODEL NO.	梱包数 QUANTITY	MATERIAL No.	種数 NO. OF CKTS.	
		10 UNDER	± ---	DIMENSION STYLE MM ONLY		SCALE ---	DESIGN UNITS METRIC		
		10 OVER 30 UNDER	± ---	DRAWN BY MNINOMIYA		DATE '04/03/11		TITLE 53408-**70 STICK PACKAGING -LEAD FREE-	
		30 OVER	± ---	CHECKED BY KTOJO		DATE '04/03/11		APPROVED BY MSASAO	
ANGULAR ± --- °		DRAFT WHERE APPLICABLE MUST REMAIN WITHIN DIMENSIONS		MATERIAL NO. SEE TABLE		DOCUMENT NO. SD-53408-008		SHEET NO. 1 OF 1	
SIZE A3		THIS DRAWING CONTAINS INFORMATION THAT IS PROPRIETARY TO MOLEX INCORPORATED AND SHOULD NOT BE USED WITHOUT WRITTEN PERMISSION							