

Proximity Sensors

976 Series



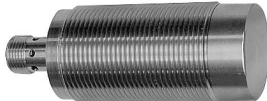
12 to 30 mm Diameter Harsh Environment Stainless Steel 2-wire DC Type

FEATURES

- Perform in harsh environments (stainless steel housing and face)
- Sealed to NEMA 4x, 6, 6p, 13, IP 68, washdown
- UL listed, CSA approved
- EMI/RFI immune, IEC 801-3, 801-4
- Temperature range of 0 to +60°C (32 to +140°F)
- Reverse polarity protection
- Transient/false pulse protection
- Short circuit/overload protection (auto reset)
- LED visible for 360°
- Low leakage current
- Integral micro connector



ORDER GUIDE

Sensor Package Style	Sensing Range mm (in.)	Sensor Type	Sw. Freq.	SCP*	Output Type	Termination	Catalog Listing
12 mm (0.47 in.) 	2,0 (.08)	2-wire DC Shielded	20 Hz	YES	N.O.	Micro connector	976AA2HI-A3T-LF-H
18 mm (0.71 in.)  136g (4.8 oz)	5,0 (.20)	2-wire DC Shielded	20 Hz	YES	N.O.	Micro connector	976AA3HI-A3T-LF5-H
30 mm (1.18 in.) 	7,0 (.28)	2-wire DC Shielded	20 Hz	YES	N.O.	Micro connector	976AA4HI-A3T-LF7-H

* SCP: Short circuit protection. Sensor will turn outputs off if it senses a short circuit on input. Will detect ferrous metals/aluminum 304 and 316 stainless steel.

SPECIFICATIONS

Supply Voltage	10 to 30 VDC
Load Current	5 to 100 mA
Leakage Current	0.9 mA max. (0.7 mA typ.)
Voltage Drop	6.0 VDC max.
Temperature Range	0 to 60°C (32 to 140°F)
Sealing	NEMA 4X, 6, 6P, 13, IP 68, Washdown
Repeatability	±1%
Hysteresis	2 to 15% of sensing distance
Output Indicator	Red LED, 360°
Sensing Face Material	303 Stainless Steel
Housing Material	303 Stainless Steel
LED	Red, output indicator 360°

CORRECTION FACTORS

Target Material	Correction Factor
Steel	1.0
400 Series	1.0 - 1.15
300 Series	.25 - .70
Aluminum <.020"	.10 - .75

TERMINATION

Style	Cable Length	Catalog Listing
4-Pin DC Standard Key (12 mm) Micro		
Straight	2m (6.6')	803000A09M020
	5m (16.4")	803000A09M050
Right Angle	2m (6.6')	803001A09M020
	5m (16.4")	803001A09M050

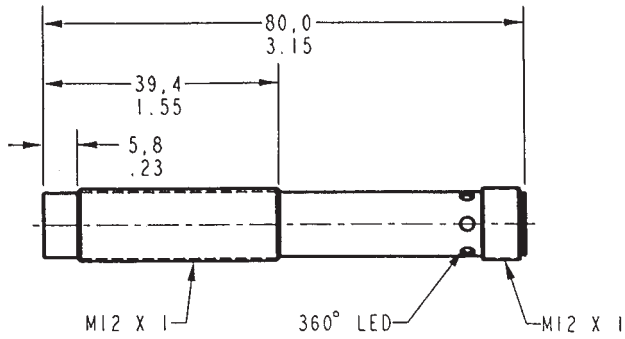
Proximity Sensors

976 Series

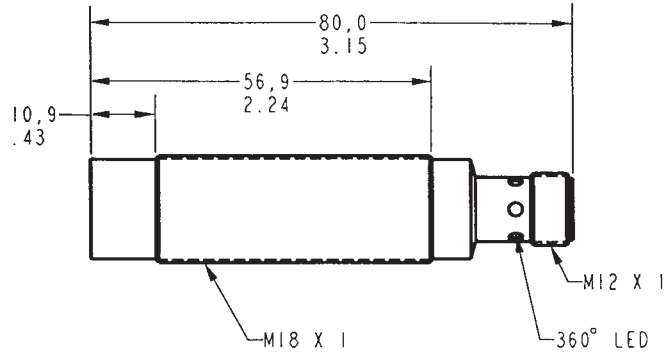
12 to 30mm Diameter Harsh Environment Stainless Steel 2-wire DC Type

MOUNTING DIMENSIONS $\frac{\text{mm}}$
(For reference only) $\frac{\text{in.}}$

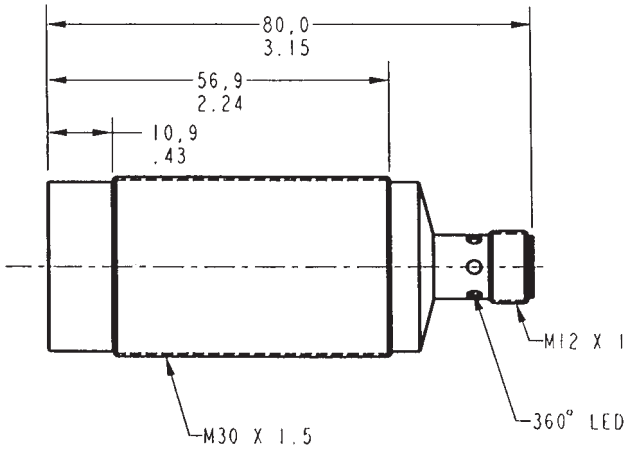
976 Series 12mm



976 Series 18 mm

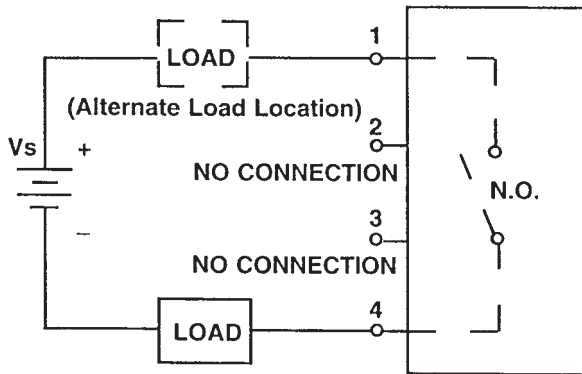


976 Series 30 mm



Proximity

WIRING DIAGRAM



PINOUT

