

EPA3199

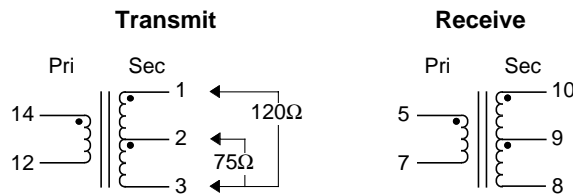


- 1.5KV Isolation •
- Recommended for LXT304/5/18/19, CS6153/58A/74/75 •
- Meet CCITT I.430 Requirements with proper termination •
- Robust construction allows for most severe soldering processes •

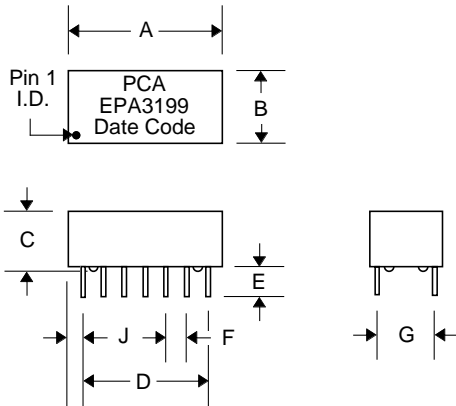
Electrical Parameters @ 25° C

Primary OCL		Interwinding Capacitance (pF Max.)		Leakage Inductance (μH Max.)		Hipot (Vrms)	DCR (Ω Max.)			
@ 100 KHz, 0.1 Vrms		@ 100 KHz, 0.1 Vrms		@ 100 KHz, 0.1 Vrms			Pri. pins 14-12 Sec. pins 1-3		Pri. pins 5-7 Sec. pins 10-8	
Xmit	Rcv	Xmit	Rcv	Xmit	Rcv		Xmit	Rcv	Xmit	Rcv
1.5	1.2	50	60	0.80	0.80	1500	0.90	1.10	0.90	1.70

Schematic



Package



Dimensions

Dim.	(Inches)			(Millimeters)		
	Min.	Max.	Nom.	Min.	Max.	Nom.
A	.780	.800		19.81	20.32	
B	.365	.385		9.27	9.78	
C	.270	.290		6.86	7.37	
D	.600	Typ.		15.24	Typ.	
E	.135	.155		3.43	3.94	
F	.100	Typ.		2.54	Typ.	
G	.300	Typ.		7.62	Typ.	
J	.085	.105		2.16	2.67	