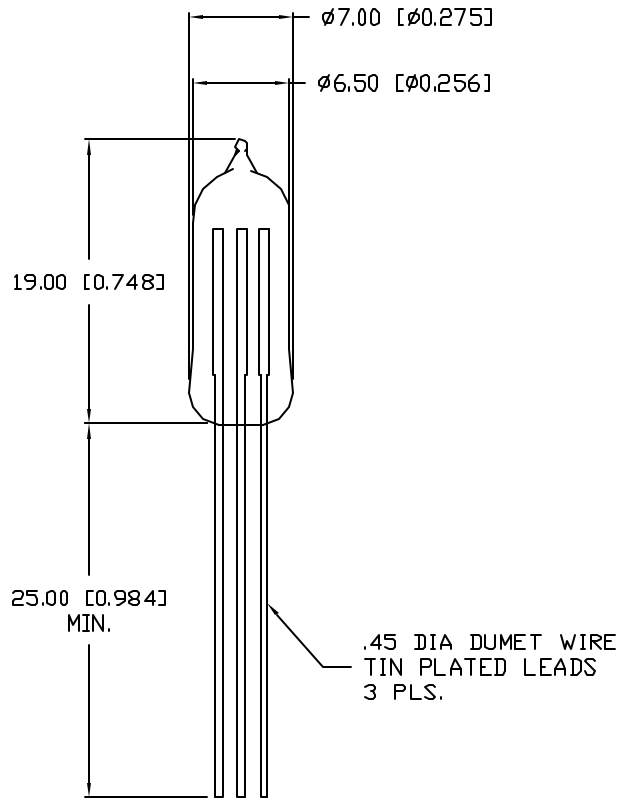


UNCONTROLLED DOCUMENT

PART NUMBER
GT-RLSA3300

REV.
A

| REV. | E.C.N. NUMBER AND REVISION COMMENTS | DATE |
|------|-------------------------------------|----------|
| A | E.C.N. #11148. | 12.18.06 |



ELECTRICAL SPECIFICATIONS

| CONDITION | UNITS | RATING |
|------------------------------|------------------|--------------------|
| D.C. FIRING VOLTAGE: | (dv/dt 500V/S) | 300V±15% D.C. |
| IMPULSE CURRENT: | (8/20μS) | 1.5KA MAX. |
| IMPULSE CURRENT SURGE LIFE: | (10/1000μS 500A) | 1000 TIMES MIN. |
| INSULATION RESISTANCE: | (100VDC) | 10 ¹⁰ Ω |
| INTER-ELECTRODE CAPACITANCE: | (1.0 KHz) | 1 PF MAX. |

ENVIRONMENTAL SPECIFICATIONS PER MIL-STD 202

| TEST | METHOD | CONDITION | RATING |
|----------------------|--------|-----------|------------------|
| VIBRATION TESTING: | 204B | C | 10-55Hz, .06DA |
| SHOCK: | 213A | C | 100 g |
| HUMIDITY: | 103B | B | 95% Re. HUMIDITY |
| TEMPERATURE CYCLING: | 102A | C | -65 TO +125 °C |
| BAROMETRIC PRESSURE: | 105C | B | 50,000 ft. |
| THERMAL SHOCK: | 107 | B | -65 TO +125 °C |
| SOLDERABILITY: | 20B | B | |


NOTE:

WHEN THE NEON LAMP IS ENERGIZED IN DARKNESS, THE STARTING VOLTAGE CAN RISE, DELAY THE LIGHT SURGE, OR NOT DISCHARGE. THEREFORE, THE BRIGHTNESS SHALL BE KEPT HIGHER THAN 10 LUX.



UNCONTROLLED DOCUMENT

*UNLESS OTHERWISE SPECIFIED TOLERANCES PER DECIMAL PRECISION ARE: X=±1 (±0.039), XX=±0.5 (±0.020), XXX=±0.25 (±0.010), XXXX=±0.127 (±0.005). LEAD SIZE=±0.05 (±0.002), LEAD LENGTH=±0.75 (±0.030), MIN.=^{+0.00}/_{-0.00} DECIMAL PRECISION MAX.=^{+0.00}/_{-0.00} DECIMAL PRECISION

| | | | | |
|---|----------------------------|---|---|---|
| REV. A | PART NUMBER GT-RLSA3300 | CONFIDENTIAL INFORMATION THE INFORMATION CONTAINED IN THIS DOCUMENT IS THE PROPERTY OF LUMEX INC. EXCEPT AS SPECIFICALLY AUTHORIZED IN WRITING BY LUMEX INC, THE HOLDER OF THIS DOCUMENT SHALL KEEP ALL INFORMATION CONTAINED HEREIN CONFIDENTIAL AND SHALL PROTECT SAME IN WHOLE OR IN PART FROM DISCLOSURE AND DISSEMINATION TO ALL THIRD PARTIES. |  | 290 E. HELEN ROAD PALATINE, IL 60067-6976 PHONE: +1.847.359.2790 US WEB: www.lumex.com TW WEB: www.lumex.com.tw |
| LIGHT DUTY ARRESTOR, THREE LEAD (300 VDC) | | RELIABILITY NOTE OUR MANY YEARS OF EXPERIENCE DATA ACCUMULATION INDICATE THAT SOLDER HEAT IS A MAJOR CAUSE OF EARLY AND FUTURE FAILURE. PLEASE PAY ATTENTION TO YOUR SOLDERING PROCESS. | DRAWN BY: JC | CHECKED BY: |
| | | | APPROVED BY: | DATE: 12.18.06 PAGE: 1 OF 1 SCALE: N/A |