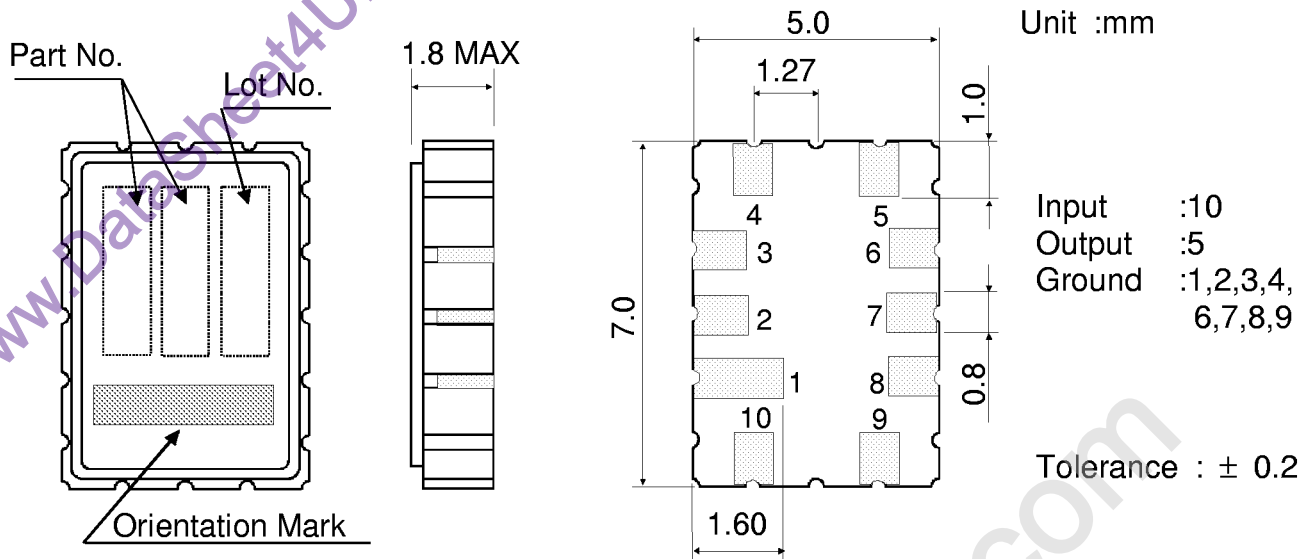


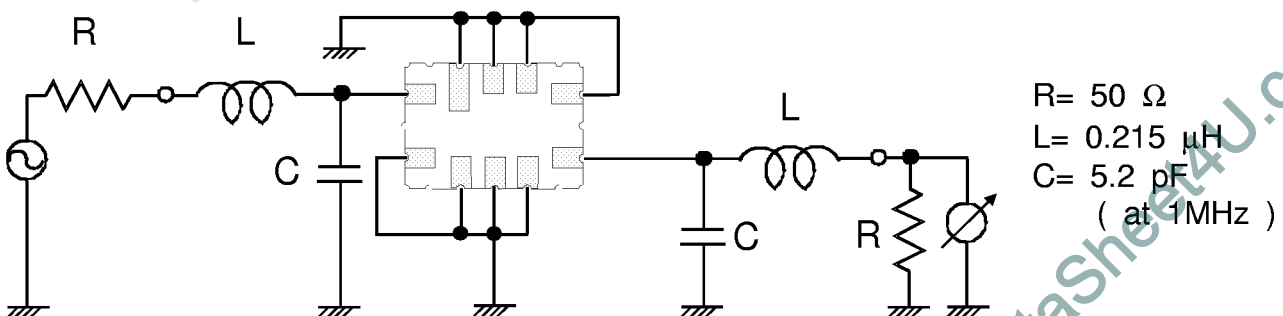
1. Dimensions



2. Electrical characteristics

2.1	Center frequency (F_o)	: 128.900 MHz
2.2	Passband width	: $F_o \pm 19$ kHz min. at 3dB
2.3	Stopband attenuation	
	$F_o \pm 100$ kHz	: 25 dB min.
	$F_o \pm 200$ kHz	: 50 dB min.
	$F_o - 925$ kHz ~ $F_o - 895$ kHz	: 72 dB min.
2.4	Passband ripple	: 0.5 dB max. at $F_o - 10.5$ kHz ~ $F_o + 10.5$ kHz
2.5	Insertion loss	: 5.0 dB max. at F_o
2.6	Group delay deviation	: 5 μ sec max. at $F_o - 10.5$ kHz ~ $F_o + 10.5$ kHz
2.7	I.M.	
	Input Freq.	: F1 +100kHz, +200kHz : F2 -100kHz, -200kHz
	Input Level	: -20 dBm
	I.M. products	: -90 dBm max.
2.8	Maximum input power	: 0 dBm max.
2.9	Operating temperature	: -20 ~ +85 °C
2.10	Load impedance	: 603 Ω // -1.56 pF

3. Test circuit (Bottom view)



4. Response

