

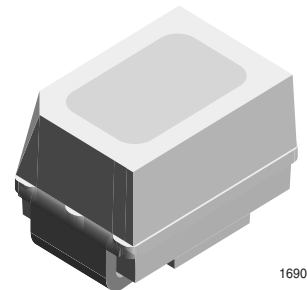
## MiniLED

### Description

The new MiniLED Series have been designed in a small white SMT package. The feature of the device is the very small package 2.3 mm x 1.3 mm x 1.4 mm. The MiniLED is an obvious solution for small-scale, high-power products that are expected to work reliably in an arduous environment. This is often the case in automotive and industrial application of course.

### Features

- SMD LEDs with exceptional brightness
- Luminous intensity categorized
- Compatible with automatic placement equipment
- EIA and ICE standard package
- IR reflow soldering
- Available in 8 mm tape
- Low profile package
- Non-diffused lens: excellent for coupling to light pipes and backlighting
- Low power consumption
- Luminous intensity ratio in one packaging unit  
 $I_{Vmax}/I_{Vmin} \leq 2.0$ , optional  $\leq 1.6$



### Applications

Automotive: Backlighting in dashboards and switches  
 Telecommunication: Indicator and backlighting in telephone and fax  
 Indicator and backlight for audio and video equipment  
 Indicator and backlight in office equipment  
 Flat backlight for LCDs, switches and symbols  
 General use

### Parts Table

Part	Color, Luminous Intensity	Angle of Half Intensity ( $\pm\phi$ )	Technology
TLMS2100	Super red, $I_V = 7.5$ mcd (typ.)	60	GaAsP on GaP
TLMO2100	Soft orange, $I_V = 7.5$ mcd (typ.)	60	GaAsP on GaP
TLMY2100	Yellow, $I_V = 7.5$ mcd (typ.)	60	GaAsP on GaP
TLMG2100	Green, $I_V = 10$ mcd (typ.)	60	GaP on GaP
TLMP2100	Pure green, $I_V = 2.2$ mcd (typ.)	60	GaP on GaP
TLMB2100	Blue, $I_V = 7$ mcd (typ.)	60	GaN

### Absolute Maximum Ratings

$T_{amb} = 25\text{ }^{\circ}\text{C}$ , unless otherwise specified

TLMS2100 , TLMO2100 , TLMY2100 , TLMG2100 , TLMP2100

Parameter	Test condition	Symbol	Value	Unit
Reverse voltage		$V_R$	6	V
DC forward current	$T_{amb} \leq 60\text{ }^{\circ}\text{C}$	$I_F$	30	mA
Surge forward current	$t_p \leq 10\text{ }\mu\text{s}$	$I_{FSM}$	0.5	A
Power dissipation	$T_{amb} \leq 60\text{ }^{\circ}\text{C}$	$P_V$	95	mW
Junction temperature		$T_j$	100	$^{\circ}\text{C}$
Operating temperature range		$T_{amb}$	- 40 to + 100	$^{\circ}\text{C}$
Storage temperature range		$T_{stg}$	- 40 to + 100	$^{\circ}\text{C}$
Soldering temperature	according IPC 9501	$T_{sd}$	245	$^{\circ}\text{C}$
Thermal resistance junction/ambient	mounted on PC board (pad size > 5 mm <sup>2</sup> )	$R_{thJA}$	480	K/W

#### TLMB2100

Parameter	Test condition	Symbol	Value	Unit
Reverse voltage		$V_R$	5	V
DC forward current	$T_{amb} \leq 60\text{ }^{\circ}\text{C}$	$I_F$	20	mA
Surge forward current	$t_p \leq 10\text{ }\mu\text{s}$	$I_{FSM}$	0.1	A
Power dissipation	$T_{amb} \leq 60\text{ }^{\circ}\text{C}$	$P_V$	90	mW
Junction temperature		$T_j$	100	$^{\circ}\text{C}$
Operating temperature range		$T_{amb}$	- 40 to + 100	$^{\circ}\text{C}$
Storage temperature range		$T_{stg}$	- 40 to + 100	$^{\circ}\text{C}$
Soldering temperature	according IPC 9501	$T_{sd}$	245	$^{\circ}\text{C}$
Thermal resistance junction/ambient	mounted on PC board (pad size > 5 mm <sup>2</sup> )	$R_{thJA}$	480	K/W

### Optical and Electrical Characteristics

$T_{amb} = 25\text{ }^{\circ}\text{C}$ , unless otherwise specified

#### Super red

##### TLMS2100

Parameter	Test condition	Symbol	Min	Typ.	Max	Unit
Luminous intensity <sup>2)</sup>	$I_F = 10\text{ mA}$	$I_V$	2.5	7.5		mcd
Dominant wavelength	$I_F = 10\text{ mA}$	$\lambda_d$	624	628	636	nm
Peak wavelength	$I_F = 10\text{ mA}$	$\lambda_p$		640		nm
Angle of half intensity	$I_F = 10\text{ mA}$	$\varphi$		$\pm 60$		deg
Forward voltage	$I_F = 20\text{ mA}$	$V_F$		2.1	3.0	V
Reverse voltage	$I_R = 10\text{ }\mu\text{A}$	$V_R$	6	15		V
Junction capacitance	$V_R = 0, f = 1\text{ MHz}$	$C_j$		15		pF

<sup>2)</sup> in one Packing Unit  $I_{Vmax}/I_{Vmin} \leq 2.0$

**Soft Orange****TLMO2100**

Parameter	Test condition	Symbol	Min	Typ.	Max	Unit
Luminous intensity <sup>2)</sup>	$I_F = 10 \text{ mA}$	$I_V$	3.2	7.5		mcd
Dominant wavelength	$I_F = 10 \text{ mA}$	$\lambda_d$	598	605	611	nm
Peak wavelength	$I_F = 10 \text{ mA}$	$\lambda_p$		605		nm
Angle of half intensity	$I_F = 10 \text{ mA}$	$\phi$		$\pm 60$		deg
Forward voltage	$I_F = 20 \text{ mA}$	$V_F$		2.1	3	V
Reverse voltage	$I_R = 10 \mu\text{A}$	$V_R$	6	15		V
Junction capacitance	$V_R = 0, f = 1 \text{ MHz}$	$C_j$		15		pF

<sup>2)</sup> in one Packing Unit  $I_{V_{\max}}/I_{V_{\min}} \leq 2.0$

**Yellow****TLMY2100**

Parameter	Test condition	Symbol	Min	Typ.	Max	Unit
Luminous intensity <sup>2)</sup>	$I_F = 10 \text{ mA}$	$I_V$	3.2	7.5		mcd
Dominant wavelength	$I_F = 10 \text{ mA}$	$\lambda_d$	581	588	594	nm
Peak wavelength	$I_F = 10 \text{ mA}$	$\lambda_p$		585		nm
Angle of half intensity	$I_F = 10 \text{ mA}$	$\phi$		$\pm 60$		deg
Forward voltage	$I_F = 20 \text{ mA}$	$V_F$		2.2	3	V
Reverse voltage	$I_R = 10 \mu\text{A}$	$V_R$	6	15		V
Junction capacitance	$V_R = 0, f = 1 \text{ MHz}$	$C_j$		15		pF

<sup>2)</sup> in one Packing Unit  $I_{V_{\max}}/I_{V_{\min}} \leq 2.0$

**Green****TLMG2100**

Parameter	Test condition	Symbol	Min	Typ.	Max	Unit
Luminous intensity <sup>2)</sup>	$I_F = 10 \text{ mA}$	$I_V$	6.3	10		mcd
Dominant wavelength	$I_F = 10 \text{ mA}$	$\lambda_d$	562	568	575	nm
Peak wavelength	$I_F = 10 \text{ mA}$	$\lambda_p$		565		nm
Angle of half intensity	$I_F = 10 \text{ mA}$	$\phi$		$\pm 60$		deg
Forward voltage	$I_F = 20 \text{ mA}$	$V_F$		2.2	3.0	V
Reverse voltage	$I_R = 10 \mu\text{A}$	$V_R$	6	15		V
Junction capacitance	$V_R = 0, f = 1 \text{ MHz}$	$C_j$		15		pF

<sup>2)</sup> in one Packing Unit  $I_{V_{\max}}/I_{V_{\min}} \leq 2.0$

### Pure green

#### TLMP2100

Parameter	Test condition	Symbol	Min	Typ.	Max	Unit
Luminous intensity <sup>2)</sup>	$I_F = 10 \text{ mA}$	$I_V$	1.0	2.2		mcd
Dominant wavelength	$I_F = 10 \text{ mA}$	$\lambda_d$	555	560	565	nm
Peak wavelength	$I_F = 10 \text{ mA}$	$\lambda_p$		555		nm
Angle of half intensity	$I_F = 10 \text{ mA}$	$\phi$		$\pm 60$		deg
Forward voltage	$I_F = 20 \text{ mA}$	$V_F$		2.4	3	V
Reverse voltage	$I_R = 10 \mu\text{A}$	$V_R$	6	15		V
Junction capacitance	$V_R = 0, f = 1 \text{ MHz}$	$C_j$		15		pF

<sup>2)</sup> in one Packing Unit  $I_{V_{\max}}/I_{V_{\min}} \leq 2.0$

### Blue

#### TLMB2100

Parameter	Test condition	Symbol	Min	Typ.	Max	Unit
Luminous intensity <sup>1)</sup>	$I_F = 10 \text{ mA}$	$I_V$	4.0	7.0		mcd
Dominant wavelength	$I_F = 10 \text{ mA}$	$\lambda_d$		465		nm
Peak wavelength	$I_F = 10 \text{ mA}$	$\lambda_p$		428		nm
Angle of half intensity	$I_F = 10 \text{ mA}$	$\phi$		$\pm 60$		deg
Forward voltage	$I_F = 20 \text{ mA}$	$V_F$		3.9	4.5	V
Reverse voltage	$I_R = 10 \mu\text{A}$	$V_R$	5.0			V

<sup>1)</sup> in one Packing Unit  $I_{V_{\max}}/I_{V_{\min}} \leq 1.6$

### Typical Characteristics ( $T_{\text{amb}} = 25 \text{ }^\circ\text{C}$ unless otherwise specified)

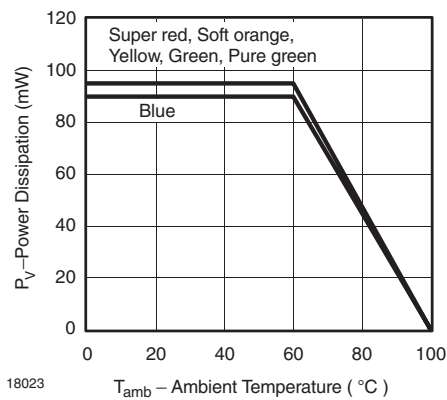


Figure 1. Power Dissipation vs. Ambient Temperature

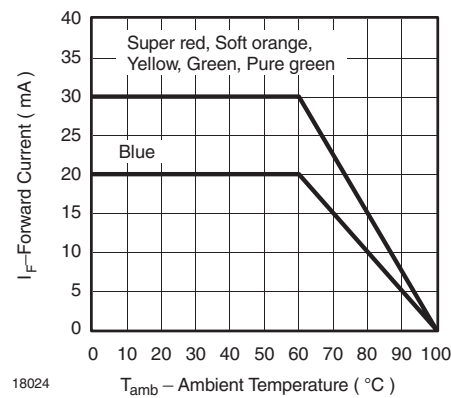
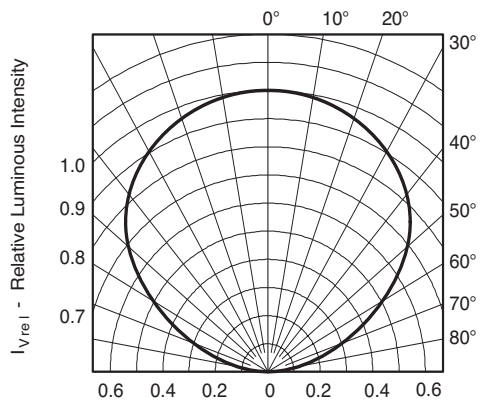


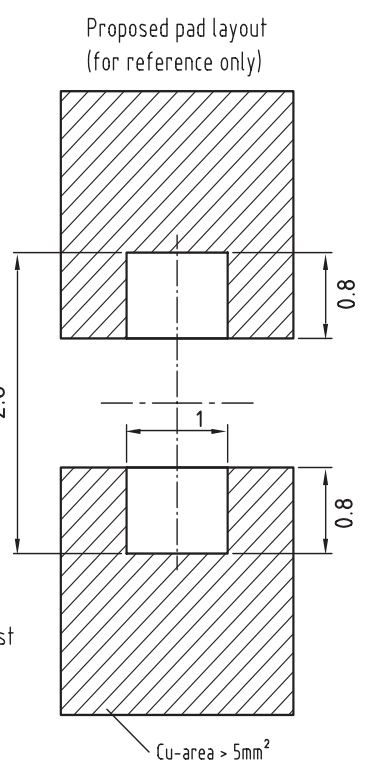
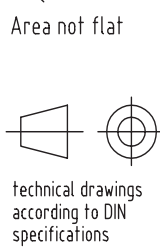
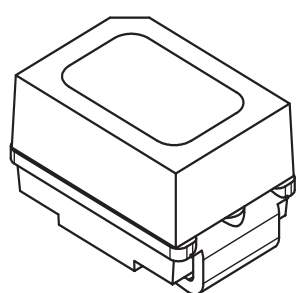
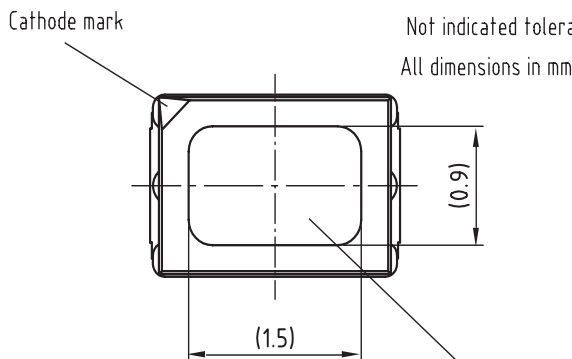
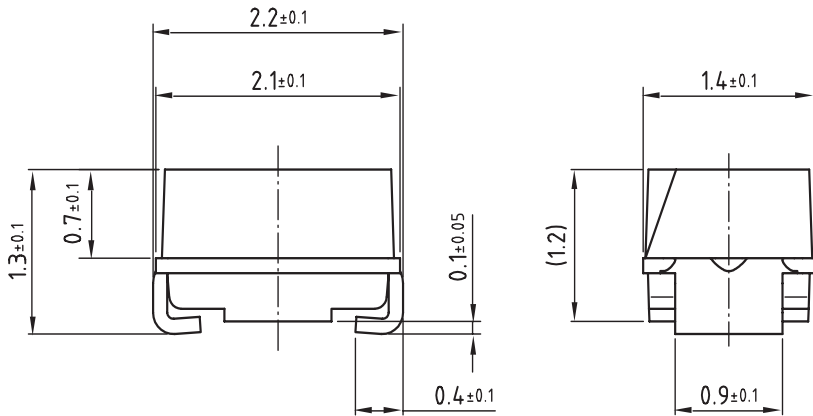
Figure 2. Forward Current vs. Ambient Temperature



95 10319

Figure 3. Rel. Luminous Intensity vs. Angular Displacement

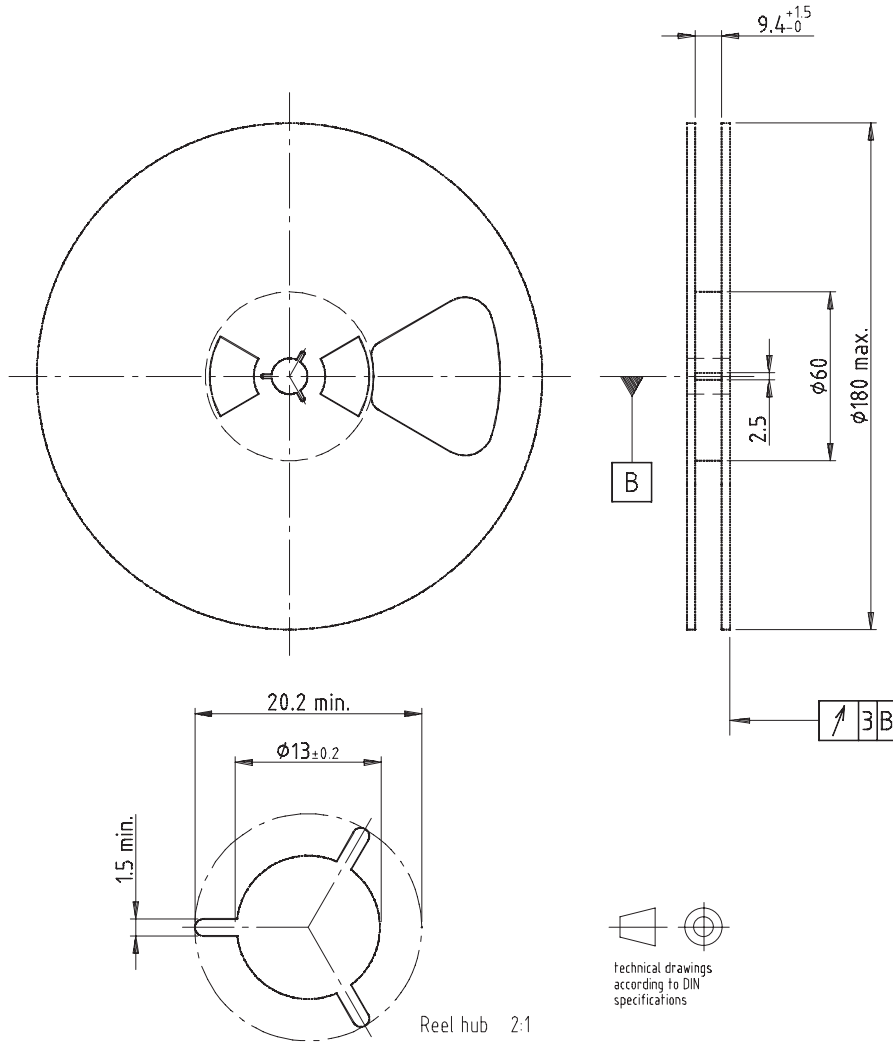
### Package Dimensions in mm



Drawing-No.: 6.541-5052.01-4  
Issue: 3; 22.04.03

16892

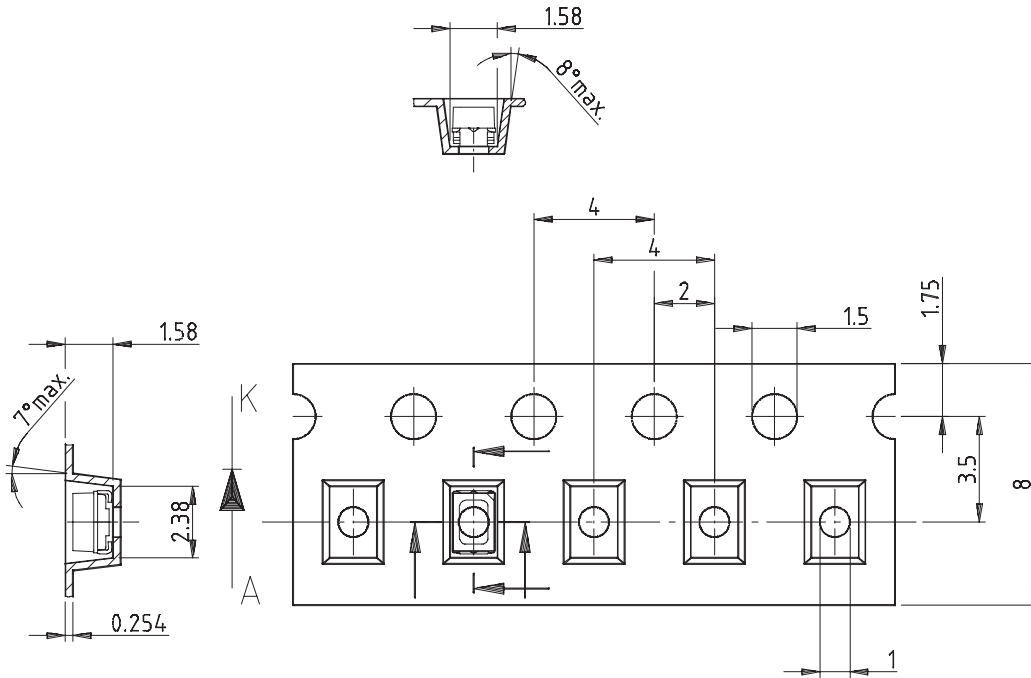
## Reel Dimensions



Drawing-No.: 9.800-5051.V5-4  
 Issue: 1; 25.07.02

16938

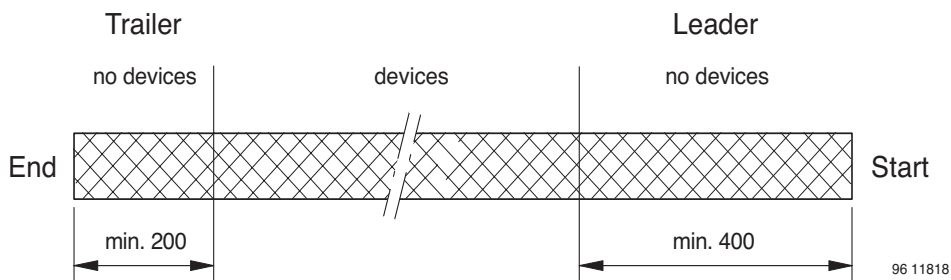
### Tape Dimensions



Drawing-No.: 9.700-5266.01-4  
Issue: 1; 05.06.02

16939

### Leader and Trailer



GS08 = 3000 pcs



### Cover Tape Peel Strength

According to DIN EN 60286-3

0.1 to 1.3N

300 ± 10 mm/min

165 ° - 180 ° peel angle

### Label

#### Standard bar code labels for finished goods

The standard bar code labels are product labels and used for identification of goods. The finished goods are packed in final packing area. The standard packing units are labeled with standard bar code labels before transported as finished goods to warehouses. The labels are on each packing unit and contain Vishay Semiconductor GmbH specific data.

#### Vishay Semiconductor GmbH standard bar code product label (finished goods)

Plain Writing	Abbreviation	Length
Item-Description	–	18
Item-Number	INO	8
Selection-Code	SEL	3
LOT-/ Serial-Number	BATCH	10
Data-Code	COD	3 (YWW)
Plant-Code	PTC	2
Quantity	QTY	8
Accepted by:	ACC	–
Packed by:	PCK	–
Mixed Code Indicator	MIXED CODE	–
Origin	xxxxxxx <sup>+</sup>	Company Logo

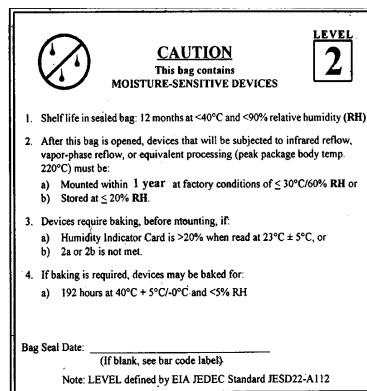
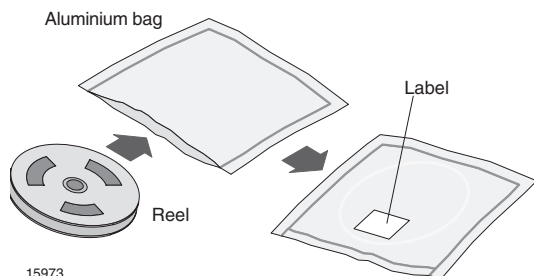
Long Bar Code Top	Type	Length
Item-Number	N	8
Plant-Code	N	2
Sequence-Number	X	3
Quantity	N	8
Total Length	–	21

Short Bar Code Bottom	Type	Length
Selection-Code	X	3
Data-Code	N	3
Batch-Number	X	10
Filter	–	1
Total Length	–	17

16942

### Dry Packing

The reel is packed in an anti-humidity bag to protect the devices from absorbing moisture during transportation and storage.



Example of JESD22-A112 Level 2 label

### Final Packing

The sealed reel is packed into a cardboard box. A secondary cardboard box is used for shipping purposes.

### Recommended Method of Storage

Dry box storage is recommended as soon as the aluminium bag has been opened to prevent moisture absorption.

The following conditions should be observed, if dry boxes are not available:

- Storage temperature  $10^{\circ}\text{C}$  to  $30^{\circ}\text{C}$
- Storage humidity  $\leq 60\%$  RH max.

After more than 1 year under these conditions moisture content will be too high for reflow soldering. In case of moisture absorption, the devices will recover

to the former condition by drying under the following condition:

- 192 hours at  $40^{\circ}\text{C} \pm 5^{\circ}\text{C}/ -0^{\circ}\text{C}$  and  $< 5\%$  RH (dry air/ nitrogen) or
- 96 hours at  $60^{\circ}\text{C} \pm 5^{\circ}\text{C}$  and  $< 5\%$  RH for all device containers or
- 24 hours at  $100^{\circ}\text{C} \pm 5^{\circ}\text{C}$  not suitable for reel or tubes.

An EIA JEDEC Standard JESD22-A112 Level 2 label is included on all dry bags.

### ESD Precaution

Proper storage and handling procedures should be followed to prevent ESD damage to the devices especially when they are removed from the Antistatic Shielding Bag. Electro-Static Sensitive Devices warning labels are on the packaging.

### Vishay Semiconductors Standard Bar-Code Labels

The Vishay Semiconductors standard bar-code labels are printed at final packing areas. The labels are on each packing unit and contain Vishay Telefunken specific data.

### Assembly Instructions

#### Reflow Soldering

- Reflow soldering must be done within 1 year stored under max.  $30^{\circ}\text{C}$ ,  $60\%$  RH after opening envelop
- Recommended soldering paste (composition: SN 63 %, Pb 37 %) Melting temperature  $178^{\circ}\text{C}$  to  $192^{\circ}\text{C}$
- Apply solder paste to the specified soldering pads, by using a dispenser or by screen printing.
- Recommended thickness of metal mask is 0.2 mm for screen printing.
- The recommended reflow furnace is a combination type with upper and lower heaters.
- Set the furnace temperatures for pre-heating and heating in accordance with the reflow temperature profile as shown below. Exercise extreme care to keep the maximum temperature below  $230^{\circ}\text{C}$ . The

following temperature profile means the temperature at the device surface. Since temperature difference occurs between the work and the surface of the circuit board depending on the position of circuit board or reflow furnace, the operating conditions should be verified prior to start of operation.

- Handling after reflow should be done only after the work surface has been cooled off.

### Manual Soldering

- Use the 6/4 solder or the solder containing silver.
- Use a soldering iron of 25 W or smaller. Adjust the temperature of the soldering iron below 300 °C.
- Finish soldering within three seconds.
- Handle products only after the temperature is cooled off.

### Cleaning

- Perform cleaning after soldering strictly in conformance to the following conditions:

Cleaning agent:

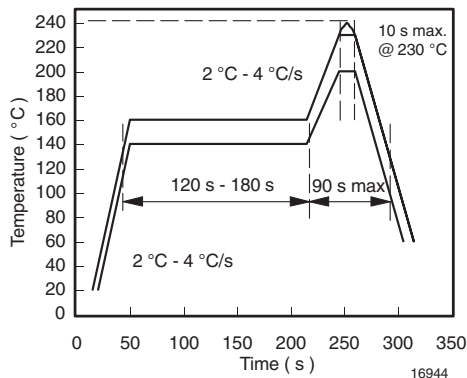
2-propanol (isopropyl alcohol).

Commercially available grades (industrial use) should be used.

Demineralized or distilled water having a resistivity of not less than 500 mΩ corresponding to a conductivity of 2 mS/m.

- Temperature and time: 30 seconds under the temperature below 50 °C or 3 minutes below 30 °C.
- Ultrasonic cleaning: Below 20 W.

### Reflow Solder Profile



### Ozone Depleting Substances Policy Statement

It is the policy of **Vishay Semiconductor GmbH** to

1. Meet all present and future national and international statutory requirements.
2. Regularly and continuously improve the performance of our products, processes, distribution and operating systems with respect to their impact on the health and safety of our employees and the public, as well as their impact on the environment.

It is particular concern to control or eliminate releases of those substances into the atmosphere which are known as ozone depleting substances (ODSs).

The Montreal Protocol (1987) and its London Amendments (1990) intend to severely restrict the use of ODSs and forbid their use within the next ten years. Various national and international initiatives are pressing for an earlier ban on these substances.

**Vishay Semiconductor GmbH** has been able to use its policy of continuous improvements to eliminate the use of ODSs listed in the following documents.

1. Annex A, B and list of transitional substances of the Montreal Protocol and the London Amendments respectively
2. Class I and II ozone depleting substances in the Clean Air Act Amendments of 1990 by the Environmental Protection Agency (EPA) in the USA
3. Council Decision 88/540/EEC and 91/690/EEC Annex A, B and C (transitional substances) respectively.

**Vishay Semiconductor GmbH** can certify that our semiconductors are not manufactured with ozone depleting substances and do not contain such substances.

**We reserve the right to make changes to improve technical design  
and may do so without further notice.**

Parameters can vary in different applications. All operating parameters must be validated for each customer application by the customer. Should the buyer use Vishay Semiconductors products for any unintended or unauthorized application, the buyer shall indemnify Vishay Semiconductors against all claims, costs, damages, and expenses, arising out of, directly or indirectly, any claim of personal damage, injury or death associated with such unintended or unauthorized use.

Vishay Semiconductor GmbH, P.O.B. 3535, D-74025 Heilbronn, Germany  
Telephone: 49 (0)7131 67 2831, Fax number: 49 (0)7131 67 2423