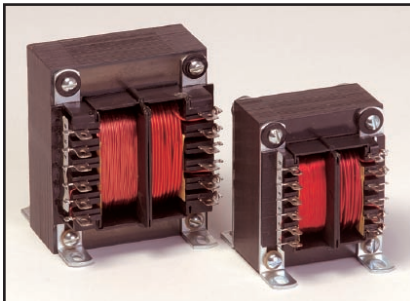


# All-4-One™ International Triple Output Transformers - Chassis Mount

For 5 VDC and ±12 VDC or ±15 VDC Regulated Power Supplies Requiring International Safety Certification



Triple output transformers with chassis mount capability plus all of the performance features of our split bobbin A41 series.

### General Specifications

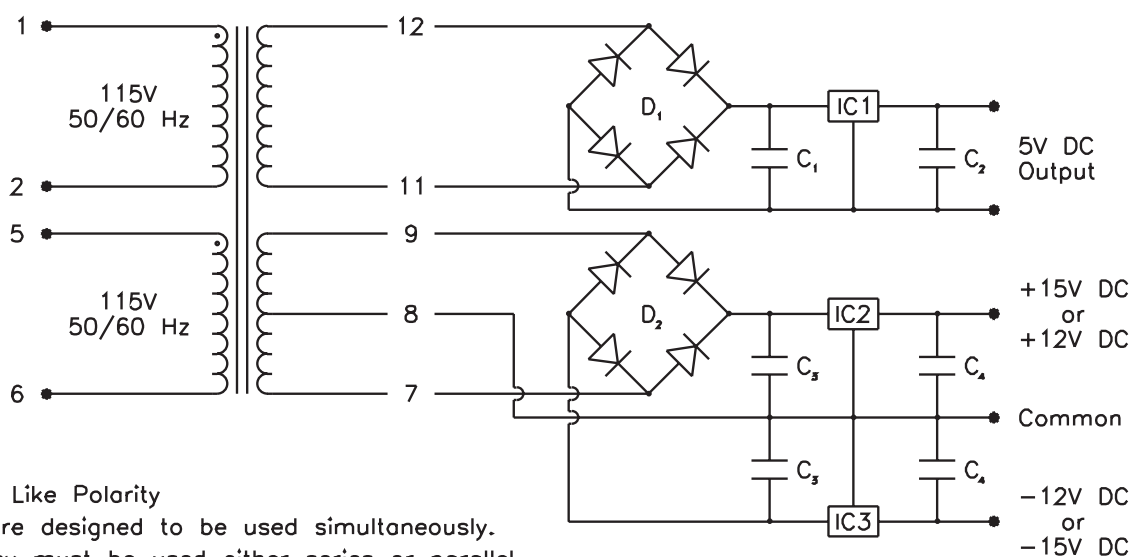
- Power - 25 VA to 80 VA
- Dielectric Strength - 4000 VRMS Hipot
- Primaries - Dual primaries (115/230V - 50/60 Hz)
- Secondaries - Dual complementary outputs (5 VDC with ±12 VDC or 5 VDC with ±15 VDC)
- Terminals - Solder lug / quick connect type terminals
- Leakage - Leakage current to meet UL 2601-1, 60601-1
- Insulation - Class F (155° C)
- Flammability Rating - Bobbin and shroud material meet UL 94-V0

### Agency Certifications

- UL 1446 E66312
- UL recognized to UL 506 (File # E63829)
- CSA certified to C22.2 #66 (File # LR 51265)
- VDE certified to VDE 0805 / EN 60950 (File # 1448)

Part Number	VA	DC Output		Suggested Components (C <sub>2</sub> and C <sub>4</sub> See note 1)						
		Regulator I	Regulator II	C <sub>1</sub> @ 15 VDC	C <sub>3</sub> @ 50 VDC	IC <sub>1</sub> <sup>1</sup>	IC <sub>2</sub> <sup>2</sup>	IC <sub>3</sub> <sup>3</sup>	D <sub>1</sub> <sup>4</sup>	D <sub>2</sub> <sup>4</sup>
A41-25-512	25	5V @ 1.25A	±12V @ 150mA	4.1 KMFD	600 MFD	LM-323K-5	LM-340K-12	LM-320K-12	PE20	PF20
A41-25-515	25	5V @ 1.25A	±15V @ 130mA	15 VDC	50 VDC	LM-323K-5	LM-340K-15	LM-320K-15	PE20	PF20
A41-43-512	43	5V @ 2A	±12V @ 300mA	8 KMFD	1.1 KMFD	LM-323K-5	LM-340K-12	LM-320K-12	PE20	PF20
A41-43-515	43	5V @ 2A	±15V @ 250mA	15 VDC	50 VDC	LM-323K-5	LM-340K-15	LM-320K-15	PE20	PF20
A41-80-512	80	5V @ 3.5A	±12V @ 600mA	10 KMFD	2.1 KMFD	LM-338Á	LM-340K-12	LM-320K-12	PP20	PF20
A41-80-515	80	5V @ 3.5A	±15V @ 500mA	15VDC	50 VDC	LM-338Á	LM-340K-15	LM-320K-15	PP20	PF20

Note 1: Output capacitors C<sub>2</sub> and C<sub>4</sub> are required to stabilize regulators. Values can be 1 MFD min. tantalum or 10 MFD min. electrolytic, 20V min.  
 Note 2: LM-338 is an adjustable regulator and MFR's specifications (National Semiconductor) should be consulted for values of external components.  
 Note 3: All IC's are National Semiconductor types.  
 Note 4: All bridges are EDI types.



• Indicates Like Polarity  
 Primaries are designed to be used simultaneously.  
 That is, they must be used either series or parallel connected (as one winding).

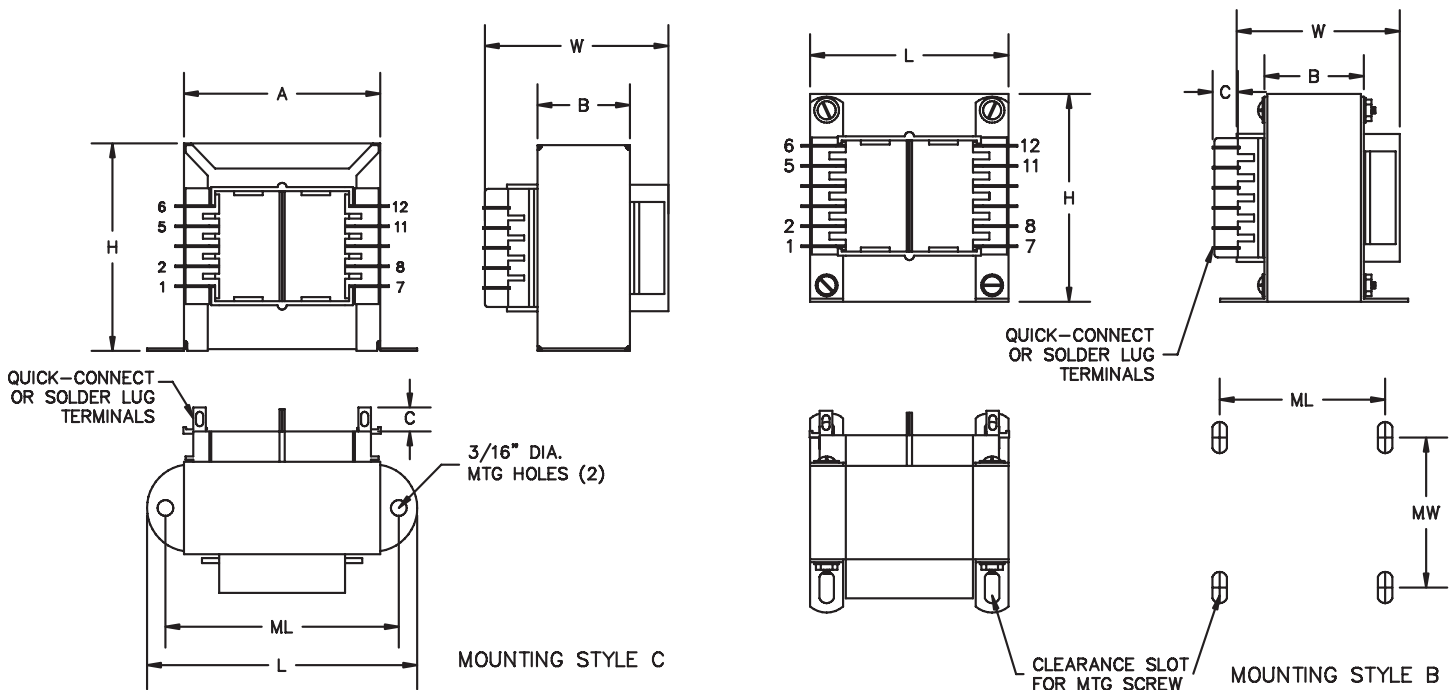
©2005 Signal Transformer Inc. Specifications subject to change without notice. 10.05

# All-4-One™ International Triple Output Transformers - Chassis Mount

For 5 VDC and ±12 VDC or ±15 VDC Regulated Power Supplies Requiring International Safety Certification



Dimensions							Terminal	Mounting Style	Mounting Dim.		Mounting Screw	Weight
VA	L	W	H	A	B	C			ML	MW		
Size	Inches (mm)						Inches (mm)					lbs (kg)
25	2.81 (71.4)	1.87 (47.6)	2.31 (58.7)	2.00 (50.8)	1.12 (28.6)	0.31 (7.9)	0.187 (4.75)	C	2.37 (60.3)	—	#6	1.25 (0.57)
43	3.12 (79.4)	2.06 (52.3)	2.68 (68.2)	2.25 (57.2)	1.12 (28.6)	0.31 (7.9)	0.187 (4.75)	C	2.81 (71.4)	—	#6	1.6 (0.73)
80	2.50 (63.5)	2.37 (60.3)	3.00 (76.2)	—	1.37 (34.9)	0.31 (7.9)	0.187 (4.75)	B	2.00 (50.8)	2.18 (55.5)	#6	2.8 (1.27)



©2005 Signal Transformer Inc. Specifications subject to change without notice. 10.05