



一 華 半 導 體 有 限 公 司
MOSDESIGN SEMICONDUCTOR CORP.

TAIPEI : TEL : 886-2- 22783733

FAX : 886-2- 22783633

H.K. : TEL : 852- 27569109

FAX : 852- 27566961

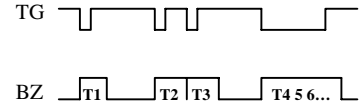
768 NOTES
1 KEY 24 TUNES

768 音符 24 首歌音乐

MELODY	
M948A	

FEATURES 功能叙述

- Up to 24 tunes.
- 1 sequence trigger key.
- Digital Envelope.



APPLICATION 产品应用

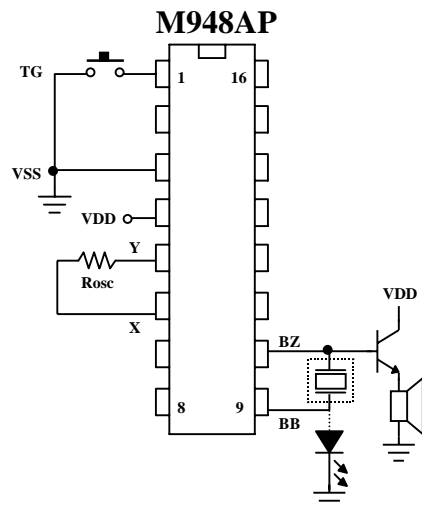
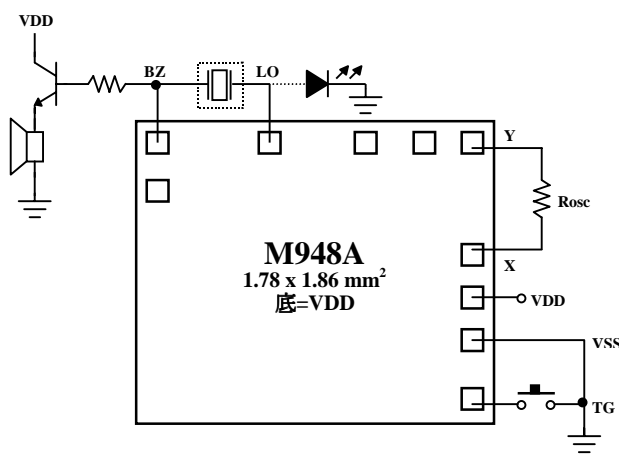
- Toys, Clock melody etc..

ELECTRICAL CHARACTERISTICS 电气规格

(@V_{DD}=3V unless otherwise specified)

Characteristics	Sym.	Min.	Typ.	Max.	Unit	REMARKS
工作电压 Operating Voltage	V _{DD}	—	3	3.5	V	
工作电流 Operating Current	I _{OP}	—	0.1	0.5	mA	No load
静态电流 Quiescent Current	I _{SB}	—	1	5	μ A	
推动电流 BZ Driving Current	I _O	1	—	—	mA	@ V _{DS} =1V
振荡频率 Oscillator Frequency	F _{OSC}	—	100	—	KHz	External ± 30%, R _{osc} =270K Ω
工作温度 Operating Temperature	Temp.	0	25	60	°C	

APPLICATION DIAGRAM 参考电路图



*All specs and applications shown above subject to change without prior notice.
(以上电路及规格仅供参考,本公司得径行修正)



768 NOTES
1 KEY 24 TUNES

768 音符 24 首歌音乐

MELODY	
M948A	

SONG LIST

M948A-2 :

- | | |
|----------------------------------|------------------------------|
| 1. AMERICAN PATROL | 7. ARE YOU SLEEPING |
| 2. RABBITS | 8. HAPPY BIRTHDAY TO YOU |
| 3. OH! MY DARLING CLEMENTINE | 9. TOY SYMPHONY |
| 4. BUTTERFLY | 10. HOME SWEET HOME |
| 5. LONDON BRIDGE IS FALLING DOWN | 11. LULLABY |
| 6. ROW, ROW, ROW YOUR BOAT | 12. SHE WORE A YELLOW RIBBON |

M948A-3 :

- | | |
|--------------------------------|----------------------------|
| 1. TWINKLE TWINKLE LITTLE STAR | 9. CHIM CHIM CHERECE |
| 2. FORGE IN THE FOREST | 10. TREE |
| 3. TOY SYMPHONY | 11. CLOCK |
| 4. AMERICAN PATROL | 12. MARY HAD A LITTLE LAMB |
| 5. LONG LONG AGE | 13. WIEGENLIED |
| 6. OH! MY DARLING CLEMENTINE | 14. SUR LE PONT D'AVIGNON |
| 7. CUCKOO WALTZ | 15. YANKEE DOODLE |
| 8. L'EAU VIVE | 16. LITTLE BROWN JUG |

M948A-4 :

- | | |
|------------------------------------|----------------------------------|
| 1. JINGLE BELLS | 7. DECK THE HALLS |
| 2. SANTA CLAUS IS COMING TO TOWN | 8. SILENT NIGHT |
| 3. JOY TO THE WORLD | 9. OH! XMAS TREE |
| 4. THE FIRST NOEL | 10. UP ON THE HOUSETOP |
| 5. IT CAME UPON THE MIDNIGHT CLEAR | 11. HARK! THE HERALD ANGELS SING |
| 6. WE WISH YOU A MERRY XMAS | 12. ANGELS WE HAVE HEARD ON HIGH |

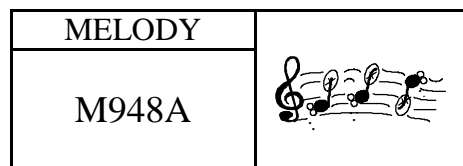
M948A-5 :

- | | |
|------------------------------------|----------------------------------|
| 1. WE WISH YOU A MERRY XMAS | 9. O COME, ALL YA FAITHFUL |
| 2. SANTA CLAUS IS COMING TO TOWN | 10. HARK! THE HERALD ANGELS SING |
| 3. JINGLE BELLS | 11. SILVER BELLS |
| 4. DECK THE HALLS | 12. ANGELS WE HAVE HEARD ON HIGH |
| 5. O LITTLE TOWN OF BETHLEHEM | 13. JOY TO THE WORLD |
| 6. IT CAME UPON THE MIDNIGHT CLEAR | 14. THE FIRST NOEL |
| 7. SILENT NIGHT | 15. THE TWELVE DAYS OF XMAS |
| 8. OH! XMAS TREE | 16. UP ON THE HOUSETOP |



768 NOTES
1 KEY 24 TUNES

768 音符 24 首歌音乐



SONG LIST

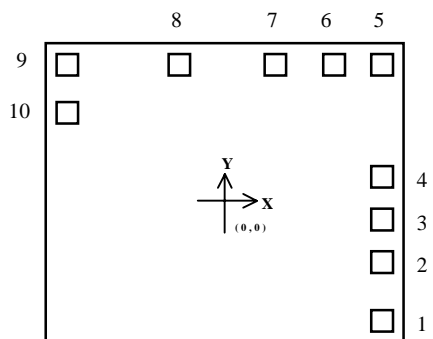
M948A-1 : MELODY + CLOCK CHIME (USE FOR 1.5V , ROSC = 270K Ω)

1. LONG LONG AGO	+ 1 chime	7. FOR ALICE	+ 7 chimes
2. A LOVER'S CONCERTO	+ 2 chimes	8. NEW WORLD	+ 8 chimes
3. MOONLIGHT ON THE COLORADO	+ 3 chimes	9. OH! SUSANNA	+ 9 chimes
4. SOUVENIR D'ENFANCE	+ 4 chimes	10. HOME SWEET HOME	+ 10 chimes
5. A DREAMING OF HOME AND MOTHER	+ 5 chimes	11. SANTA LUCIA	+ 11 chimes
6. HAPPY LIFE	+ 6 chimes	12. LA REINE DEO SABA	+ 12 chimes

M948AC-1 : MELODY + CLOCK CHIME

1. 龙的传人	+ 7 chimes	13. 教我如何不想他	+ 7 chimes
2. 青春舞曲	+ 8 chimes	14. 雪绒花	+ 8 chimes
3. 兰花草	+ 9 chimes	15. 何日君再来	+ 9 chimes
4. 康定情歌	+ 10 chimes	16. 绿岛小夜曲	+ 10 chimes
5. 草原情歌	+ 11 chimes	17. SILENCE	
6. 玫瑰玫瑰我爱你	+ 12 chimes	18. SILENCE	
7. 马车夫之歌	+ 1 chime	19. SILENCE	
8. 花好月圆	+ 2 chimes	20. SILENCE	
9. 虹彩妹妹	+ 3 chimes	21. SILENCE	
10. 小城故事	+ 4 chimes	22. SILENCE	
11. 乡间的小路	+ 5 chimes	23. SILENCE	
12. 阿里山之歌	+ 6 chimes	24. SILENCE	

PAD ASSIGNMENT & POSITION



UNIT : um

No.	PAD	X	Y
1	TG	755	-794
2	VSS	755	-260
3	VDD	755	-106
4	X	755	48
5	Y	755	795
6	TEST1	602	793
7	TEST2	314	793
8	BB	-161	795
9	BZ	-750	795
10	T1	-756	577

* CHIP SIZE ~ 1.78 x 1.86 mm².

* IC substrate should be connected to VDD in PCB (PCB 上 IC 必须接 VDD)

*All specs and applications shown above subject to change without prior notice.

(以上电路及规格仅供参考,本公司得径行修正)