

**PLEASE CHECK WWW.MOLEX.COM FOR LATEST PART INFORMATION**

**Part Number:** [0026011108](#)  
**Status:** **Active**  
**Description:** 3.96mm (.156") Pitch Board-to-Board Receptacle, Bottom Entry, 10 Circuits

**Documents:**

[3D Model](#) [Product Specification PS-5145-006 \(PDF\)](#)  
[Drawing \(PDF\)](#) [RoHS Certificate of Compliance \(PDF\)](#)  
[Product Specification PS-5145-003 \(PDF\)](#)

**Agency Certification**

CSA LR19980  
TUV R72090224  
UL E29179

**General**

Product Family PCB Receptacles  
Series [5145](#)  
Application Board-to-Board  
Product Name N/A

**Physical**

Circuits (Loaded) 10  
Durability (mating cycles max) 30  
Flammability 94V-2  
Glow-Wire Compliant No  
Keying to Mating Part Yes  
Material - Metal Brass  
Material - Plating Mating Tin  
Material - Plating Termination Tin  
Number of Rows 1  
Orientation Bottom Entry  
PCB Locator No  
PCB Retention None  
PCB Thickness Recommended (in) 0.062 In  
PCB Thickness Recommended (mm) 1.60 mm  
Packaging Type Bag  
Pitch - Mating Interface (in) 0.156 In  
Pitch - Mating Interface (mm) 3.96 mm  
Polarized to PCB Yes  
Surface Mount Compatible (SMC) No  
Temperature Range - Operating -40°C to +105°C  
Termination Interface: Style Through Hole

**Electrical**

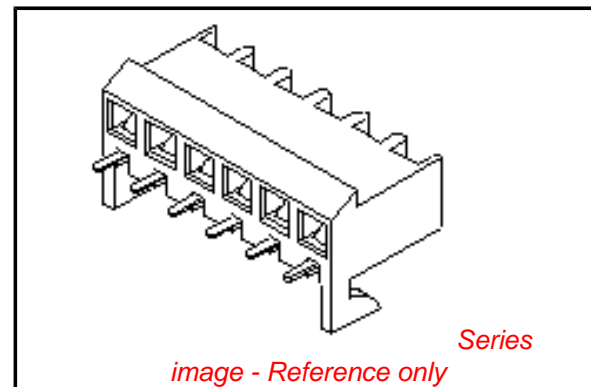
Current - Maximum per Contact 5A  
Voltage - Maximum 250V

**Material Info**

Old Part Number 5145-10BH

**Reference - Drawing Numbers**

Product Specification PS-5145-003, PS-5145-006  
Sales Drawing SD-5145-001, SD-5145-NBH



**EU RoHS**

**ELV and RoHS  
Compliant**  
**REACH SVHC  
Contains SVHC: No**  
**Halogen-Free  
Status  
Not Reviewed**

**China RoHS**



**Need more information on product  
environmental compliance?**

Email [productcompliance@molex.com](mailto:productcompliance@molex.com)  
For a multiple part number RoHS Certificate of Compliance, [click here](#)

Please visit the [Contact Us](#) section for any non-product compliance questions.

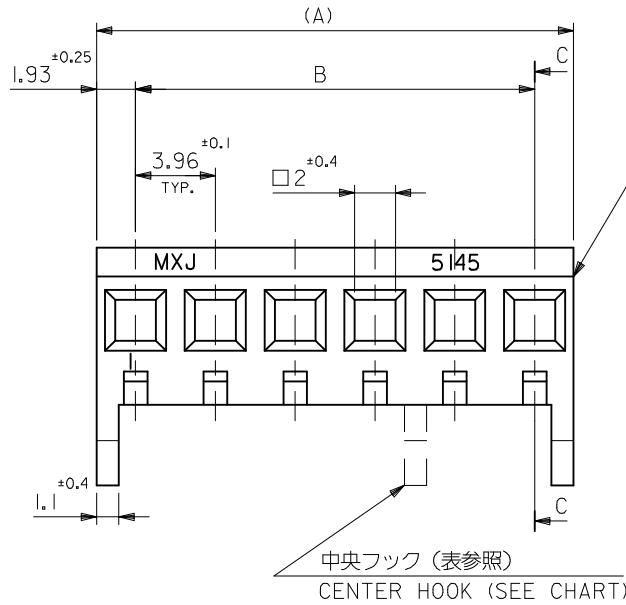
**Search Parts in this Series**

[5145Series](#)

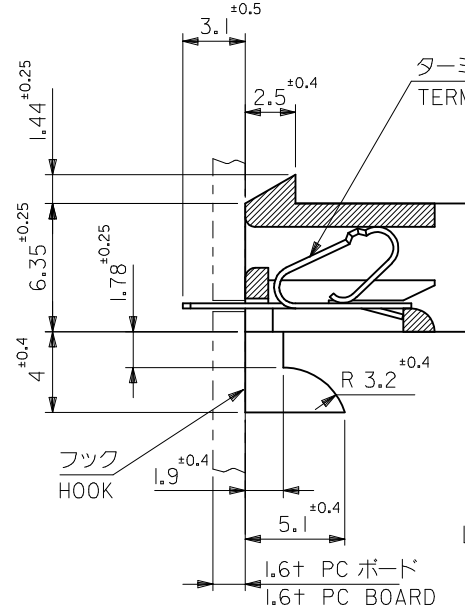
**Mates With**

[2461](#)

**PLEASE CHECK [WWW.MOLEX.COM](http://WWW.MOLEX.COM) FOR LATEST PART INFORMATION**



ハウジング (ナイロン66、UL94V-2)  
HOUSING (NYLON 66, UL94V-2)

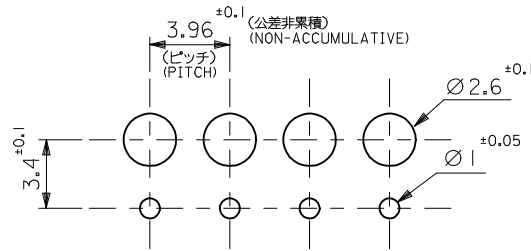
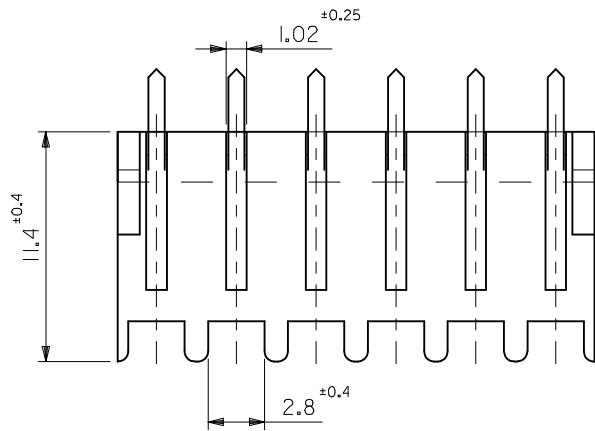


ターミナル (黄銅、銅下付錫メッキ)  
TERMINAL (BRASS, TIN OVER COPPER PLATE)

注記  
NOTE

1. 端回路リブ付き  
RIB STICK TO END CIRCUIT
2. ( ) 内寸法は参考値とする。  
( ) DIMENSION IS FOR REFERENCE

断面 C-C  
SECT. C-C



基板取付穴推奨寸法  
RECOMMENDED PC BOARD HOLE DIMENSION

4と5の間 BETWEEN 4 AND 5	43.56 <sup>+0.25</sup>	47.42	26-01-1128	5145-12BH	12
5と6の間 BETWEEN 5 AND 6	35.64 <sup>+0.25</sup>	39.50	26-01-1108	5145-10BH	10
4と5の間 BETWEEN 4 AND 5	31.68 <sup>+0.2</sup>	35.54	26-01-1098	5145-09BH	9
4と5の間 BETWEEN 4 AND 5	27.72 <sup>+0.2</sup>	31.58	26-01-1088	5145-08BH	8
—	23.76 <sup>+0.2</sup>	27.62	26-01-1078	5145-07BH	7
—	19.80 <sup>+0.2</sup>	23.66	26-01-1068	5145-06BH	6
—	15.84 <sup>+0.15</sup>	19.70	26-01-1058	5145-05BH	5
—	11.88 <sup>+0.15</sup>	15.74	26-01-1048	5145-04BH	4
—	7.92 <sup>+0.15</sup>	11.78	26-01-1038	5145-03BH	3
—	3.96 <sup>+0.1</sup>	7.82	26-01-1028	5145-02BH	2
中央フック位置 CENTER HOOK	B	(A)	PART NO.	MATERIAL NO.	種数 NO. OF CKTS.

MODEL NO. 5145-NBH

材料ハウジング:ナイロン66、UL94V-2  
MATERIAL HOUSING:NYLON 66, UL94V-2  
ターミナル:黄銅、銅下付錫メッキ、0.254 t  
TERMINAL:BRASS, TIN OVER COPPER PLATE  
0.254 t

REVISED EC NO: J2009-0510 DRWN:NAKAMURAA 2008/12/08 CHKD:T. HARIYAMA 2008/12/08 APPR:NUKITA 2009/01/13 REV J	GENERAL TOLERANCES (UNLESS SPECIFIED)		DIMENSION STYLE MM ONLY	SCALE 4:1	DESIGN UNITS METRIC	THIRD ANGLE PROJECTION
	10 UNDER	± ---	DRAWN BY S. ANDO	DATE '96/5/24	TITLE KK3.96 SOLDER REC HSG ASSY	
	10 OVER 30 UNDER	± ---	CHECKED BY M. FUKUSHIMA	DATE '96/5/24	MOLEX INCORPORATED	
	30 OVER	± ---	APPROVED BY M. ENOMOTO	DATE '96/5/24	DOCUMENT NO. SD-5145-001	SHEET NO. 1 OF 1
ANGULAR ± --- °		DRAFT WHERE APPLICABLE MUST REMAIN WITHIN DIMENSIONS		SEE TABLE THIS DRAWING CONTAINS INFORMATION THAT IS PROPRIETARY TO MOLEX INCORPORATED AND SHOULD NOT BE USED WITHOUT WRITTEN PERMISSION		

NOTE.

DIMENSION SHOWN IN ( ) ARE REFERENCE.

PART No. 26-01-1\*\*8  
ENG. No. SD-5145-NB4

F

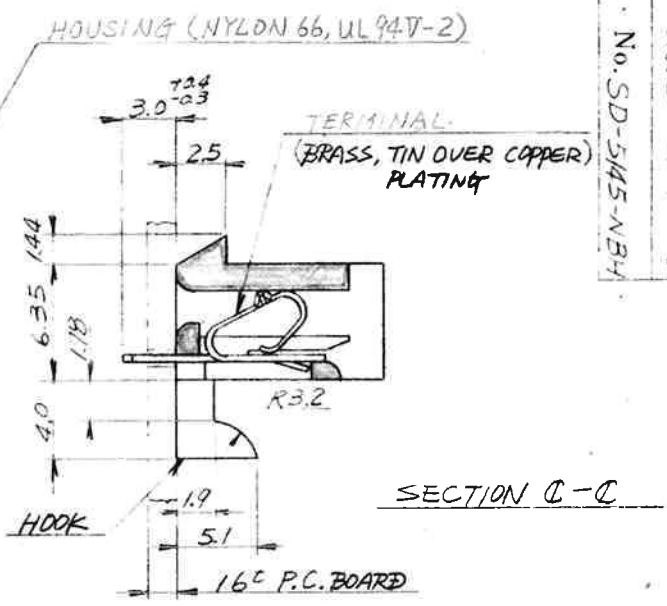
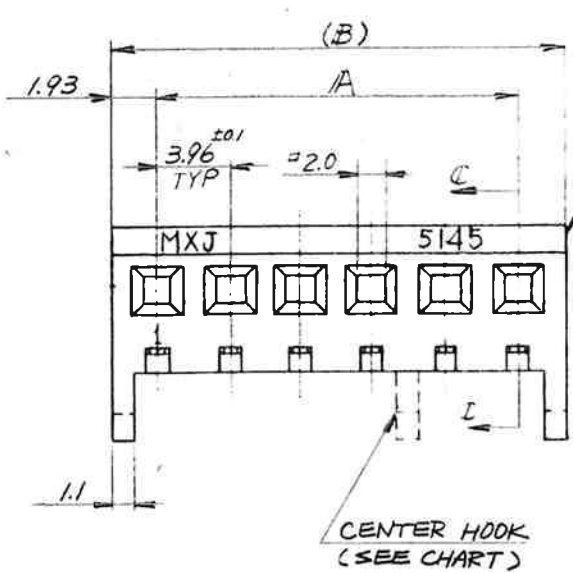
E

D

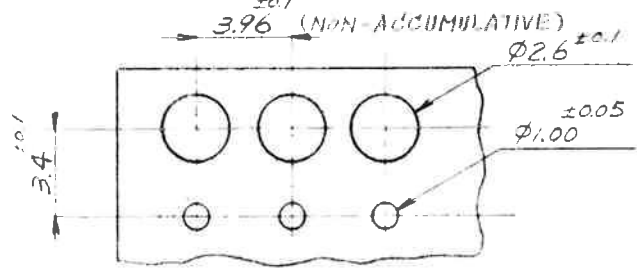
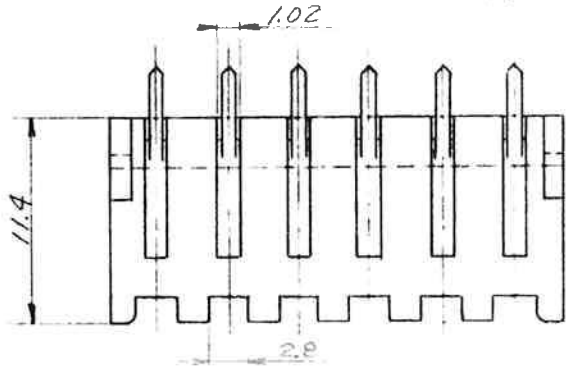
C

B

A



RECOMMENDED P.C. BOARD HOLE DIM.



5145-14BH	26-01-1148	14	51.48 <sup>+0.30</sup>	55.4	526, 9&10
5145-07BH	26-01-1078	7	23.76 <sup>+0.20</sup>	27.62	"
5145-5BH	NOT TOOLED	5	55.44 <sup>+0.30</sup>	59.30	526, 10&11
-12BH	26-01-1128	12	43.56 <sup>+0.25</sup>	47.42	425, 8&9
-10BH	1108	10	35.64 <sup>+0.25</sup>	39.50	526
-09BH	1098	9	31.63 <sup>+0.20</sup>	35.54	425
-08BH	1088	8	27.72 <sup>+0.20</sup>	31.58	425
-06BH	1068	6	19.80 <sup>+0.20</sup>	23.66	"
-05BH	1058	5	5.84 <sup>+0.3</sup>	19.70	"
04BH	1048	4	11.00 <sup>+0.5</sup>	15.74	"
03BH	1038	3	7.92 <sup>+0.15</sup>	11.78	"
5145-02BH	26-01-1028	2	3.96 <sup>+0.10</sup>	7.82	"
ENG NO	PART NO	No. OF CKT	A DIM.	(B) DIM.	CENTER HOOK LOCATION

DIMENSION SHOWN METRIC/INCH  
指示寸法  
UNLESS OTHERWISE SPECIFIED TOLERANCE  
指示公差  
0.00 ±0.08  
.00 ±0.25  
0 ±0.40  
DO NOT SCALE DRAWING.  
図面の実測をなすこと

TITLE KK 3.96 SOLDER REC. HSG. ASSY

MOLEX (JAPAN) CO., LTD.  
日本モレックス株式会社  
558, FUKAMI, YAMATO, KANAGAWA, JAPAN

DRWG.  
DSN'D  
CHK'D  
APP'D

PART No. 26-01-1\*\*8  
ENG. No. SD-5145-NB4  
SIZE A  
REV. G

LTR 記号	REVISIONS 変更内容	DATE	NAME	APP'D
	ADDED = 14" BY ECN NO. 1536	11/18/85		