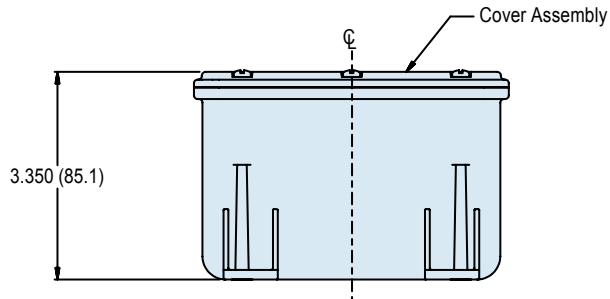
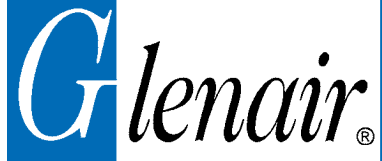


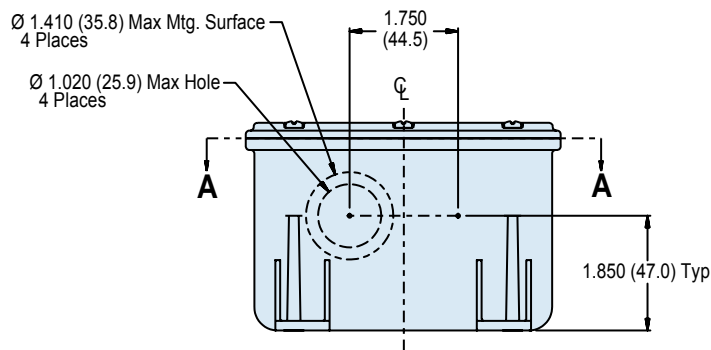
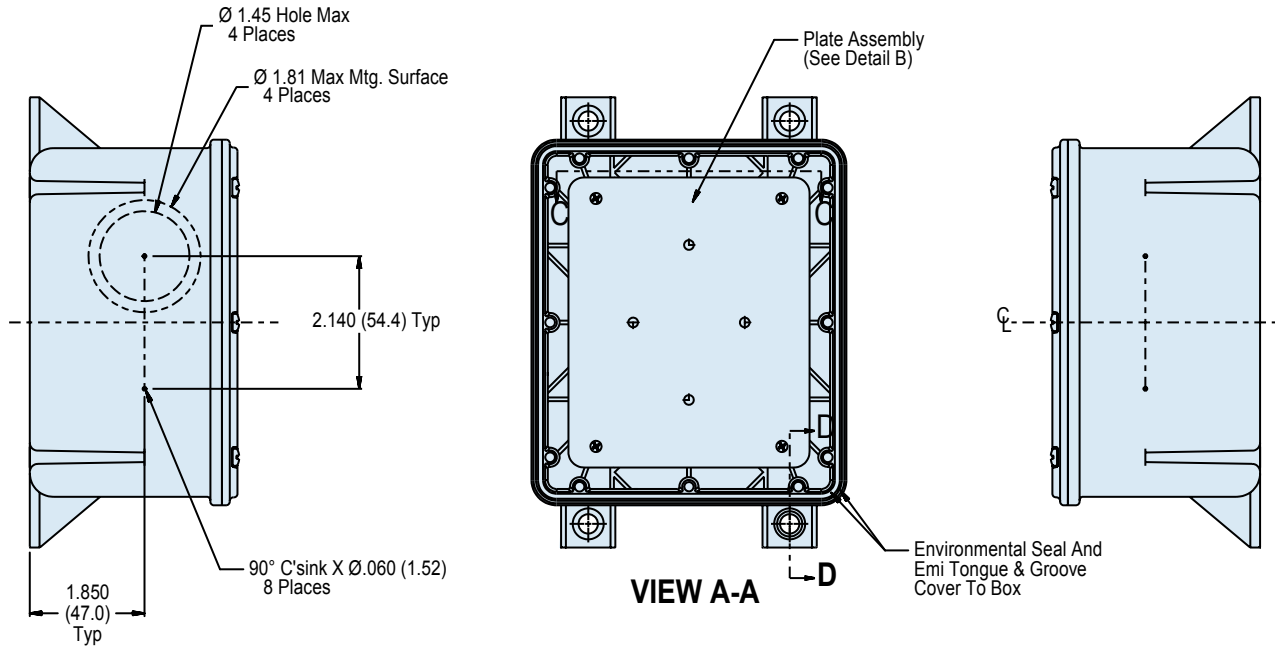
**FIGURE 1 TOP VIEW**



**140-060XMS-01**  
**(NSN: 5975-01-556-7957)**  
**10 Terminal Grounded Composite Junction Box**  
**15 Ft. Submersion**

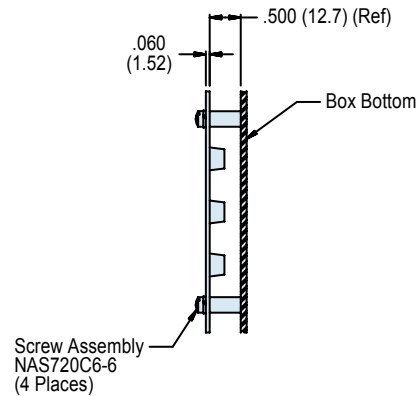
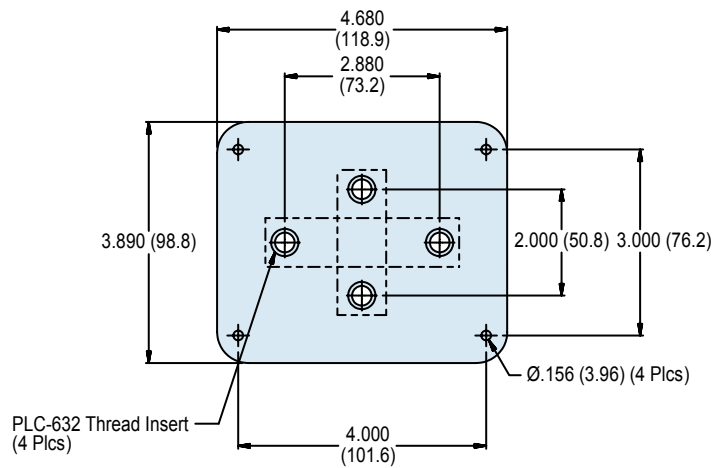


Composite  
Boxes



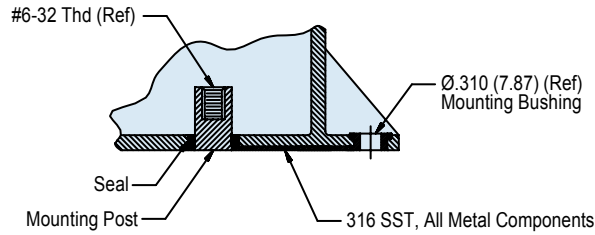
**FIGURE 2**





### APPLICATION NOTES

1. Assembly identified with manufacturer's code identification number (Glenair, part number and classification code 490).
2. Color may be subject to fading, however UV exposure will not affect material physical properties.
3. Assembly is similar to symbol part numbers and require installation in accordance with NAVSEA drawing 803-6983506.
4. Material / Finish:  
 Box, cover - Thermoplastic grey color/see Table I.  
 Hardware - 316 SST/passivate.  
 Seals and gaskets - Silicone/N.A.  
 Mounting Plate - 300 series SST/passivate.
5. NAVSEA approved; Dwg 803-698-3506.
6. Metric dimensions (mm) are indicated in parentheses.



**SECTION D-D**  
**Electrical Ground Through Internal**  
**Mounting Post To External Mounting Bushing**

**TABLE I: Finish**

Symbol	Description
<b>XMS</b>	Internal Surfaces - Electroless Nickel Exterior Surfaces - Unplated Light Grey Color
<b>XO</b>	No Plating

**TABLE II: Replacement Parts**

Item	Part Number	Description	Material
<b>1</b>	140-065**-01	Cover Assembly	Grey Thermoplastic
<b>2</b>	687-499-2	Cover Screw Assembly	316 SST/Passivate
<b>3</b>	687-305Z129	Mounting Plate Assembly	300 SST/Passivate

**TABLE III: Mounting Plate Assembly**

Dash No.	2.000" Mntg Holes	2.880" Mntg Holes	MIL-T-55164 A-A-59125	Number of Terminals	Max No of Wires	Recm'd Max Wire Size	Recm'd Lug MS17143	Qty Blocks per Assembly	Symbol Number	Military Specification
<b>01T1</b>	6TB06F	-	/12	6	24	#14 AWG	-5	1	-	-
<b>01T2</b>	25TB05F	-	/23	5	10	#14 AWG	-17	1	-	-
<b>01T3</b>	-	4TB085	/10	8	32	#12 AWG	-3	1	435.1	MIL-T-24588/2
<b>01T4</b>	-	6TB10F	/12	10	30	#14 AWG	-5	1	528	MIL-T-24588/3
<b>01T5</b>	-	15TB10F	/19	10	40	#14 AWG	-8	1	-	-
<b>01T6</b>	-	16TB04F	/20	4	08	#12 AWG	-3	1	444	MIL-T-24588/18