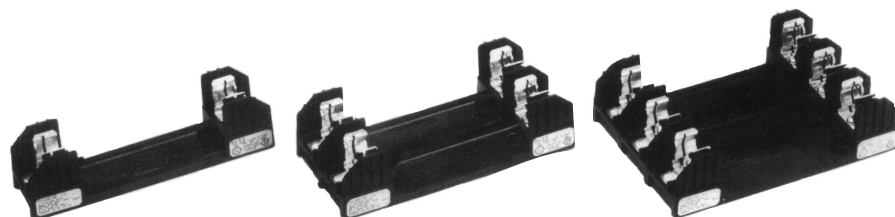


# Class H Fuseblocks

## 600 Volts

# H600 Series



Catalog Symbol: H600 Series  
 Ampere Rating: 1/10 to 600A  
 Voltage Rating: 600V  
 Agency Information:  
 UL Listed, UL 512, Guide IZLT, File E14853  
 CSA Certified, C22.2 No. 39, Class 6225-01, File 47235  
 Withstand Rating: 10,000A RMS Sym.  
 For use with Class K5 & H Fuses (Bussmann NOS and RES)  
 UL Flammability: 94VO  
 Materials: Thermoplastic

Class H Fuseblocks (600V) Catalog Data (for NOS and RES Fuses)

Amps	Poles	Basic Catalog Number	Terminal Type (Suffix No.)										Dimensions (Inches) – See Next Page For Figures										Wire Range	
			Screw					Box Lug w/					Fig. No.	A	B	C	D	E	F	G	H	J Dia. x C' Bore		K
			Clip with Reinforced Spring	Pressure Plate	Pressure Plate & Clip with Reinforced Spring	Clip with Reinforced Spring	Clip w/ Reinforced Spring (Copper Only)	Copper Only	0.25" Quick Connect															
1/10 to 30	1	H60030-1	S	SR	P	PR	C	CR	COR	CO	—	1	6.25	1.73	1.54	1.56	.25	0.62	3.13	1.56	0.28 x 0.5	.26	C, CR #2-14 CU, #2-12 AL CO, COR #6-14 CU ONLY P, PR, S, SR #10-18 CU ONLY	
	2	H60030-2	S	SR	P	PR	C	CR	COR	CO	—	2			2.90									4.25
31 to 60	1	H60060-1	—	—	—	—	C	CR	COR	CO	—	4	(See Figures)										C, CR #2-14 CU, #2-8 AL CO, COR #4-14 CU ONLY	
	2	H60060-2	—	—	—	—	C	CR	COR	CO	—	5	(See Figures)											
61 to 100	3	H60060-3	—	—	—	—	C	CR	COR	CO	—	6	(See Figures)										COR 1/0-8 CU ONLY CR 1/0-8 CU/AL SR #8w/ Ring Terminal	
	1	H60100-1	—	SR†	—	—	—	CR	COR	—	—	7	9.5	2.38	2.22	2.63	0.67	0.88	4.25	1.81	0.28 x 0.5	0.34		COR 1/0-8 CU ONLY CR 1/0-8 CU/AL SR #8w/ Ring Terminal
2	H60100-2	—	SR†	—	—	—	CR	COR	—	—	8	4.03			5.84									
101 to 200	3	H60100-3	—	SR†	—	—	—	CR	COR	—	—	9	(See Figures)										CR 250kcmil-6 CU/AL	
	1	H60200-1	—	—	—	—	—	CR	—	—	—	10	9.63	3.09	3.0	3.31	0.5	2.0	3.0	0.75	—	0.31		CR 250kcmil-6 CU/AL
3	H60200-3	—	—	—	—	—	CR	—	—	—	11	(See Figures)												
201 to 400	1	H60400-1	—	—	—	—	—	CR†	COR†	—	—	10	12.0	4.0	3.0	4.5	0.63	1.75	3.0	1.0	—	0.56	COR 500kcmil-4/0 CU ONLY CR 500kcmil-4 CU/AL	
	3	H60400-3	—	—	—	—	—	CR†	—	—	—	12	(See Figures)											
401 to 600	1	H60600-1	—	—	—	—	—	CR	—	—	—	10	14.0	4.97	3.0	5.5	1.125	1.75	4.0	1.0	—	0.56	CR (2) 500kcmil-4/0 CU/AL	
	3	H60600-3	—	—	—	—	—	CR†	—	—	—	13	(See Figures)											

†No UL, No CSA Certification.  
 †UL Recognized, CSA Certification

CE logo denotes compliance with European Union Low Voltage Directive (50-1000Vac, 75-1500Vdc). Refer to Data Sheet: 8002 or contact Bussmann Application Engineering at 314-527-1270 for more information.

# Class H Fuseblocks

## 600 Volts

# H600 Series

### Dimensional Data

600V, 1/10 to 30A

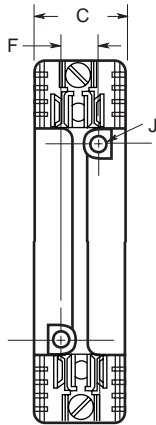
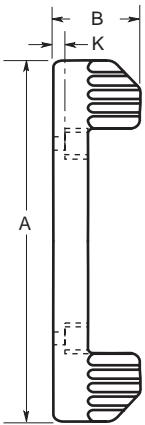


FIGURE 1.

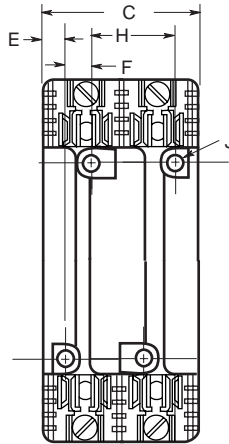


FIGURE 2.

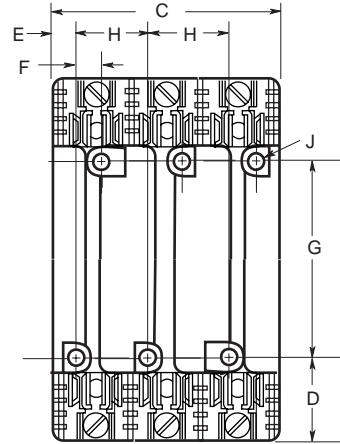


FIGURE 3.

600V, 31 to 60A

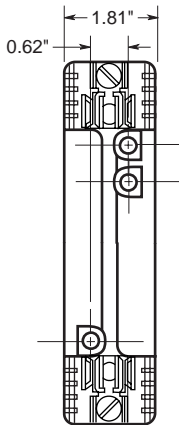
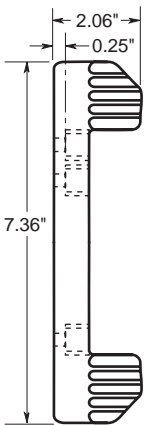


FIGURE 4.

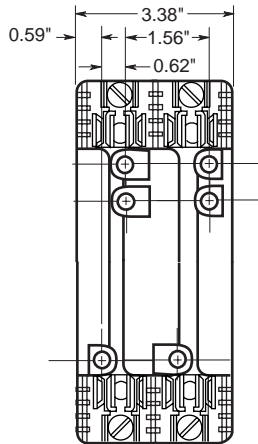


FIGURE 5.

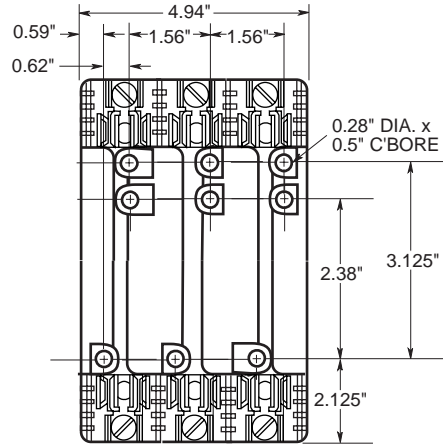


FIGURE 6.

600V, 61 to 100A

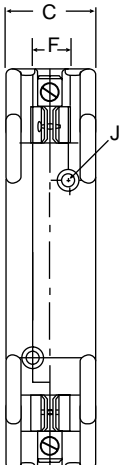
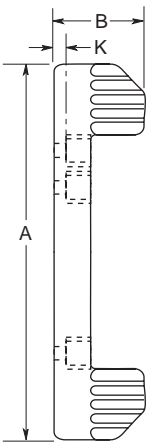


FIGURE 7.

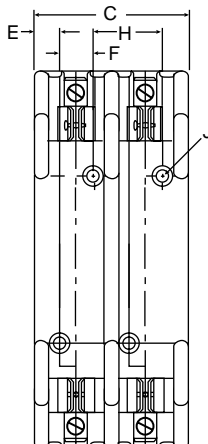


FIGURE 8.

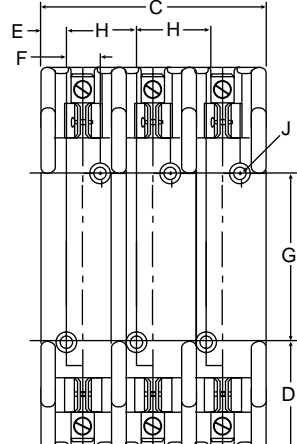


FIGURE 9.

# Class H Fuseblocks

## 600 Volts

# H600 Series

### 600V, 101 to 600A

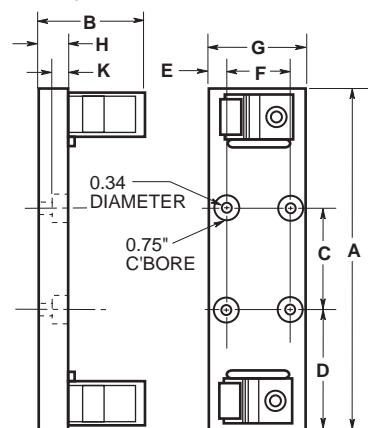


FIGURE 10.

### 600V, 101 to 200A

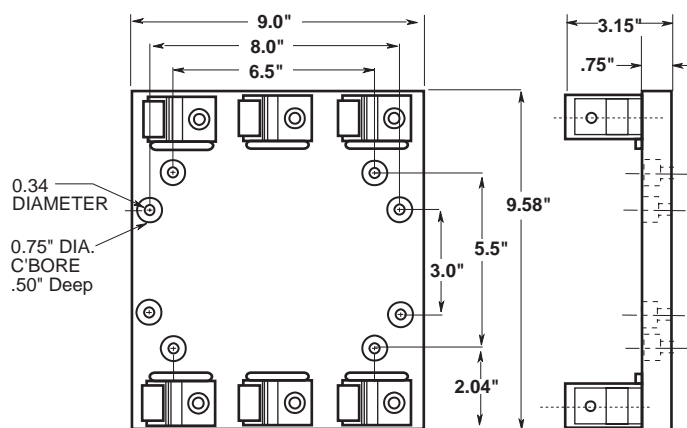


FIGURE 11.

### 600V, 201 to 400A

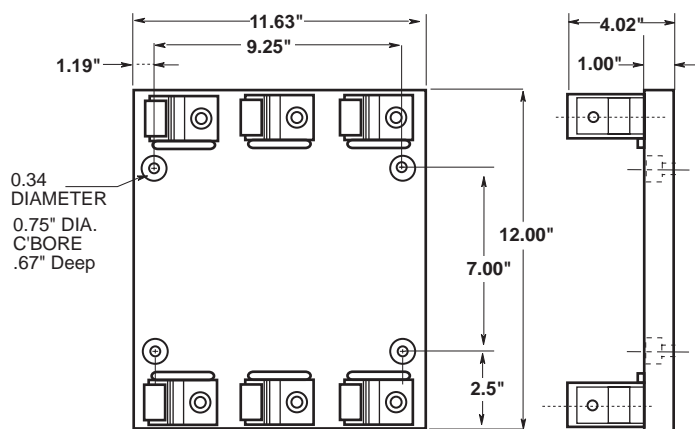


FIGURE 12.

### 600V, 401 to 600A

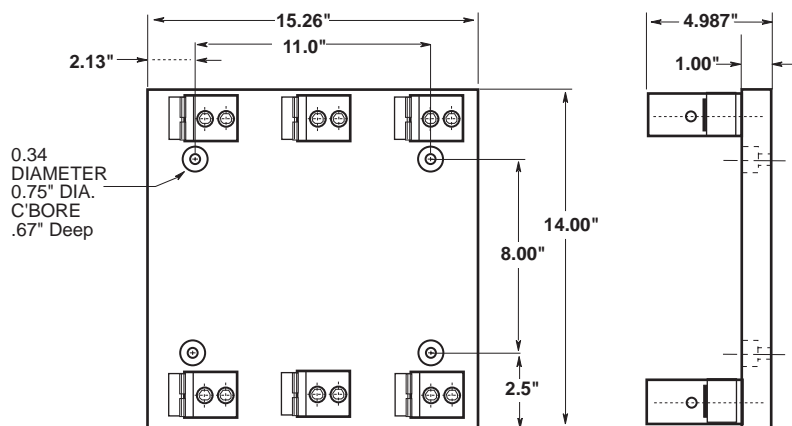


FIGURE 13.

The only controlled copy of this Data Sheet is the electronic read-only version located on the Bussmann Network Drive. All other copies of this document are by definition uncontrolled. This bulletin is intended to clearly present comprehensive product data and provide technical information that will help the end user with design applications. Bussmann reserves the right, without notice, to change design or construction of any products and to discontinue or limit distribution of any products. Bussmann also reserves the right to change or update, without notice, any technical information contained in this bulletin. Once a product has been selected, it should be tested by the user in all possible applications.