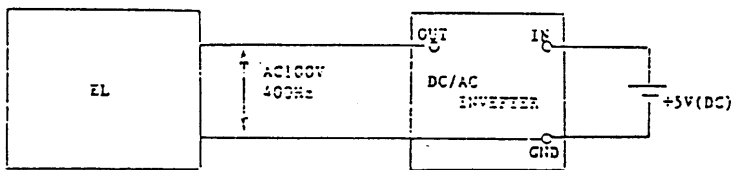


Fig. 2 Display pattern



Recommended DC/AC INVERTER : NEL-D32-45
(Made by NEC)

POWER SUPPLY for EL

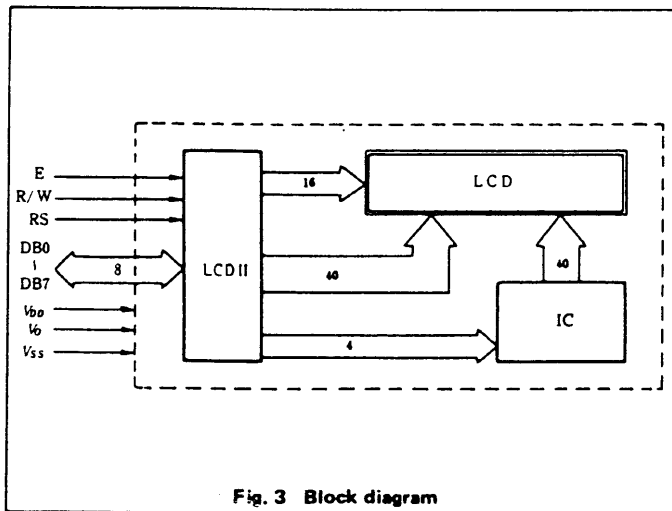
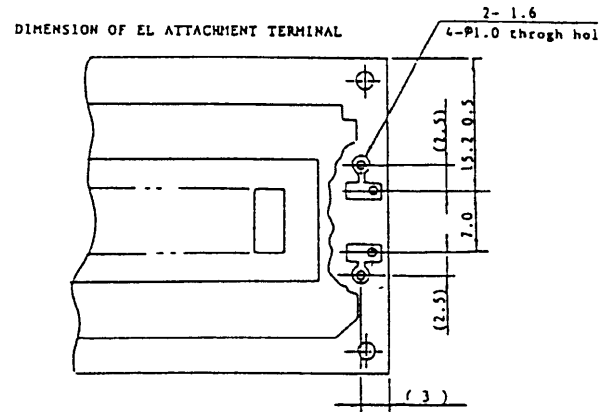


Fig. 3 Block diagram

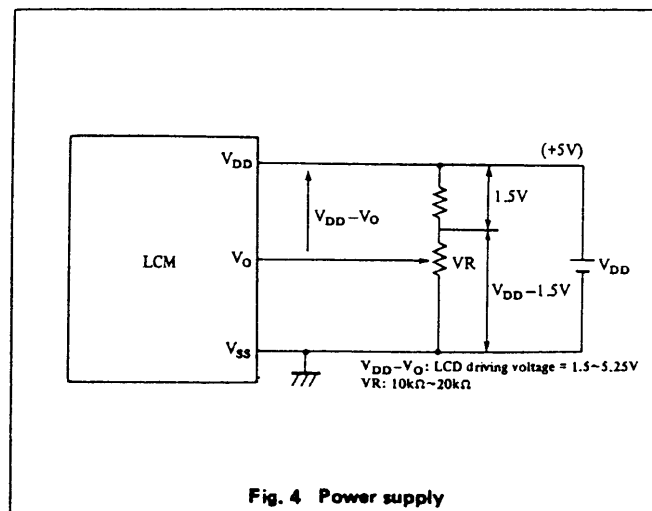


Fig. 4 Power supply

TIMING CHARACTERISTICS

Item	Symbol	Test condition	Min.	Typ.	Max.	Unit
Enable cycle time	t_{cyc}	Fig. 5, Fig. 6	1.0	—	—	μs
Enable pulse width	PW_{EH}	Fig. 5, Fig. 6	450	—	—	ns
Enable rise/fall time	t_{Er}, t_{Ef}	Fig. 5, Fig. 6	—	—	25	ns
RS, R/W set up time	t_{AS}	Fig. 5, Fig. 6	140	—	—	ns
Data delay time	t_{DDR}	Fig. 6	—	—	320	ns
Data set up time	t_{DSW}	Fig. 5	195	—	—	ns
Hold time	t_H	Fig. 5, Fig. 6	20	—	—	ns

