

PLEASE CHECK WWW.MOLEX.COM FOR LATEST PART INFORMATION

Part Number: [0019091019](#)
Status: **Active**
Overview: [standard_093](#)
Description: 2.36mm (.093") Diameter Standard .093" Pin and Socket Receptacle Housing With Positive Latch, UL 94V-2, 1 Circuit

Documents:

[3D Model](#) [Drawing \(PDF\)](#)
[Packaging Specification \(PDF\)](#) [RoHS Certificate of Compliance \(PDF\)](#)

Agency Certification

CSA LR19980
 UL E29179

General

Product Family Crimp Housings
 Series [3191](#)
 Comments Polarized to Mating Part, Without Mounting Ears
 Overview [standard_093](#)
 Product Name Standard .093"

Physical

Breakaway No
 Circuits (maximum) 1
 Color - Resin Natural
 Flammability 94V-2
 Gender Dual
 Glow-Wire Compliant No
 Keying to Mating Part None
 Lock to Mating Part Yes
 Material - Resin Nylon
 Number of Rows 1
 Packaging Type Bag
 Panel Mount No
 Pitch - Mating Interface (in) 0.264 In
 Pitch - Mating Interface (mm) 6.71 mm
 Polarized to Mating Part Yes
 Stackable No
 Temperature Range - Operating -40°C to +105°C

Electrical

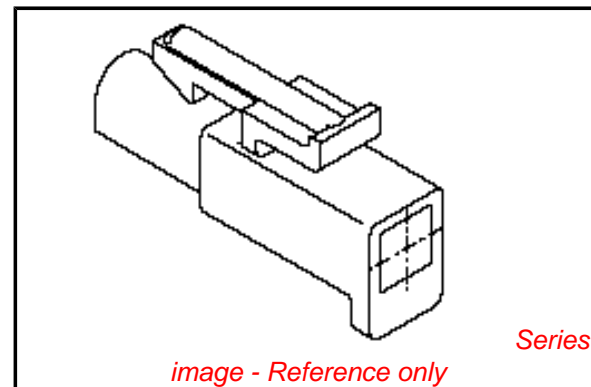
Current - Maximum per Contact 12A

Material Info

Old Part Number 3191-1R1

Reference - Drawing Numbers

Sales Drawing SD-3191-1*



EU RoHS

ELV and RoHS Compliant
REACH SVHC Contains SVHC: No
Halogen-Free Status

China RoHS



Need more information on product environmental compliance?

Email productcompliance@molex.com
 For a multiple part number RoHS Certificate of Compliance, [click here](#)

Please visit the [Contact Us](#) section for any non-product compliance questions.

Search Parts in this Series

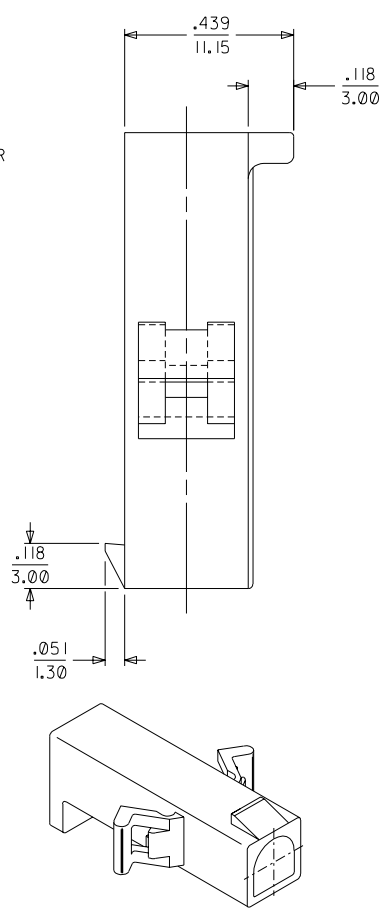
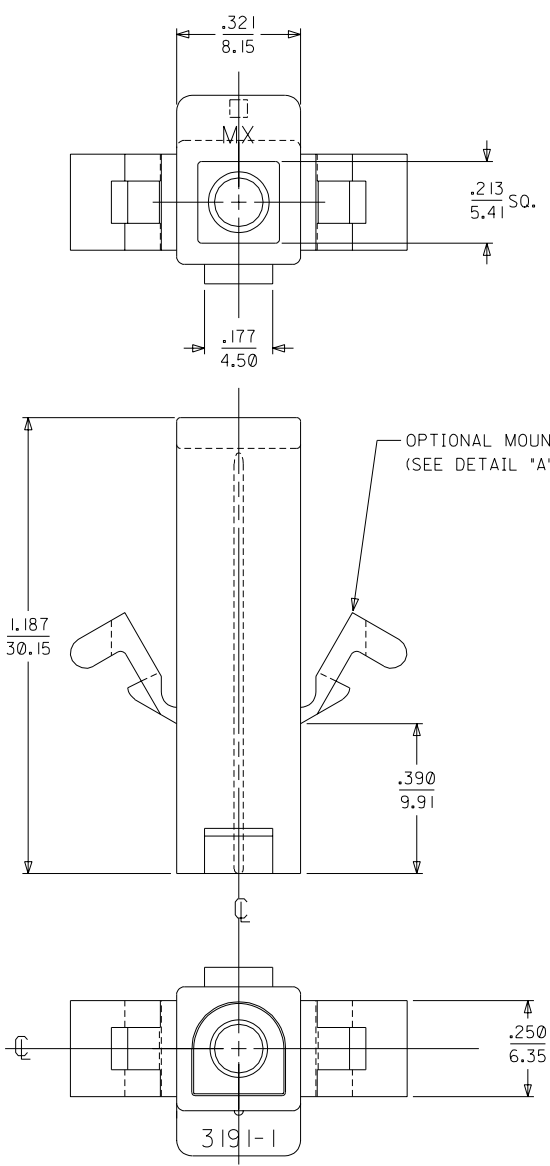
[3191Series](#)

Mates With

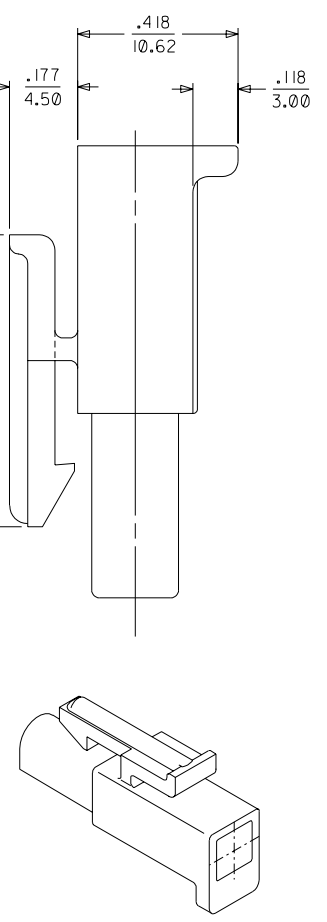
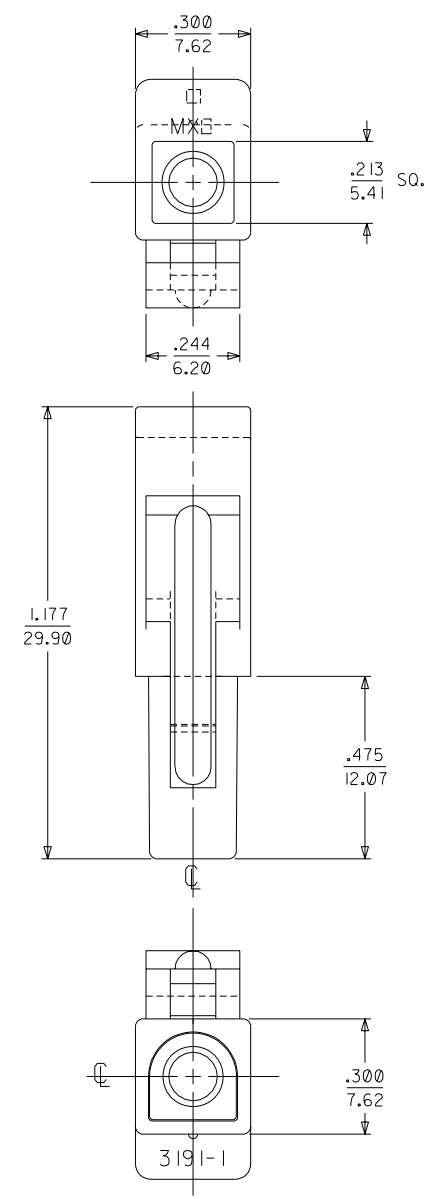
[3191](#) Pin and Socket Plug, [5219](#) Vertical PCB Header

Use With

[1189](#) Crimp Terminals, [1190](#) Crimp Terminals, [1380](#) Male Crimp Terminals, [1381](#) Female Crimp Terminals, [1433](#) Crimp Terminals, [1434](#) Male Crimp Terminals, [2605](#) , [2606](#) , [1973](#) , [2151](#) , [2273](#) , [2870](#) , [2871](#) , [4272](#) , Lin



PLUG



RECEPTACLE

OBSOLETE 3191-1R1RD EC NO. LUCP2004-0423 DRWN: ELHAG 09/03/03 CHK: ELHAG 09/03/03 APPR: FSMITH 09/10/03	QUALITY SYMBOLS	GENERAL TOLERANCES: (UNLESS SPECIFIED)	SCALE 4 : 1	DESIGN UNITS <input type="checkbox"/> mm <input checked="" type="checkbox"/> INCH	THIRD ANGLE PROJECTION <input type="checkbox"/> mm ONLY <input checked="" type="checkbox"/> INCH ONLY	DIMENSIONS: <input type="checkbox"/> mm <input checked="" type="checkbox"/> INCH <input type="checkbox"/> mm ONLY	2 E	E
	MAJOR $\nabla = 0$	4 PLACES $\pm 0.---$ $\pm .---$	DRAWN BY & DATE JBS 06/10/03	TITLE: .093/(2.36) HOUSING, PLUG AND RECEPTACLE, 1 - CIRCUIT			1 E	E
	CRITICAL $\nabla C = 0$	3 PLACES $\pm 0.$ $\pm .010$	CHECKED BY & DATE BW 06/13/03	MATERIAL NO. SEE CHART			SHT 1	REV
		2 PLACES ± 0.25 $\pm .014$	APPROVED BY & DATE BW 06/16/03	MOLEX INCORPORATED			REVISE ON CAD ONLY	
		1 PLACE ± 0.36 $\pm .$	ANGULAR: $\pm 1^\circ$	CAD FILENAME SD-3191-1.DGN	DRAWING NO. SD-3191-1*	SHEET NO. 1 of 2		
REV E	DESCRIPTION	DRAFT WHERE APPLICABLE MUST REMAIN WITHIN DIMENSIONS	THIS DRAWING CONTAINS INFORMATION THAT IS PROPRIETARY TO MOLEX INCORPORATED AND SHOULD NOT BE USED WITHOUT WRITTEN PERMISSION.			SIZE C		

