

**PLEASE CHECK WWW.MOLEX.COM FOR LATEST PART INFORMATION**

**Part Number:** [0019092018](#)  
**Status:** **Active**  
**Overview:** [standard\\_093](#)  
**Description:** 2.36mm (.093") Diameter Standard .093" Pin and Socket Plug Housing With Positive Latch, UL 94V-2, Panel Mount, 1 Circuit

**Documents:**

[3D Model](#) [Packaging Specification \(PDF\)](#)  
[Drawing \(PDF\)](#) [RoHS Certificate of Compliance \(PDF\)](#)

**Agency Certification**

CSA LR19980  
TUV R72081037  
UL E29179

**General**

Product Family Crimp Housings  
Series [3191](#)  
Comments Polarized to Mating Part, With Mounting Ears  
Overview [standard\\_093](#)  
Product Name Standard .093"

**Physical**

Breakaway No  
Circuits (maximum) 1  
Color - Resin Natural  
Flammability 94V-2  
Gender Dual  
Glow-Wire Compliant No  
Keying to Mating Part None  
Lock to Mating Part Yes  
Material - Resin Nylon  
Number of Rows 1  
Packaging Type Bag  
Panel Mount Yes  
Pitch - Mating Interface (in) 0.264 In  
Pitch - Mating Interface (mm) 6.71 mm  
Polarized to Mating Part Yes  
Stackable No  
Temperature Range - Operating -40°C to +105°C

**Electrical**

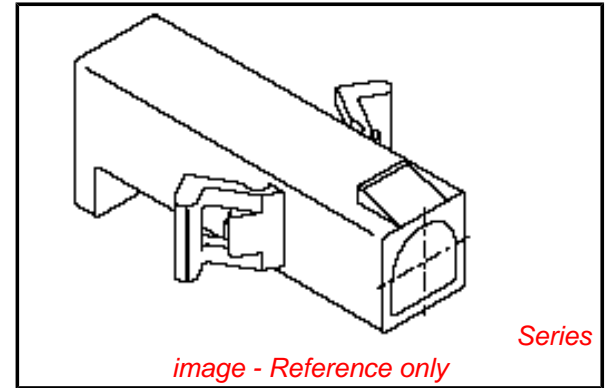
Current - Maximum per Contact 12A

**Material Info**

Old Part Number 3191-1P

**Reference - Drawing Numbers**

Sales Drawing SD-3191-1\*



**EU RoHS**

**ELV and RoHS Compliant**  
**REACH SVHC Not Reviewed**  
**Halogen-Free Status Not Reviewed**

**China RoHS**



**Need more information on product environmental compliance?**

Email [productcompliance@molex.com](mailto:productcompliance@molex.com)  
For a multiple part number RoHS Certificate of Compliance, [click here](#)

Please visit the [Contact Us](#) section for any non-product compliance questions.

**Search Parts in this Series**

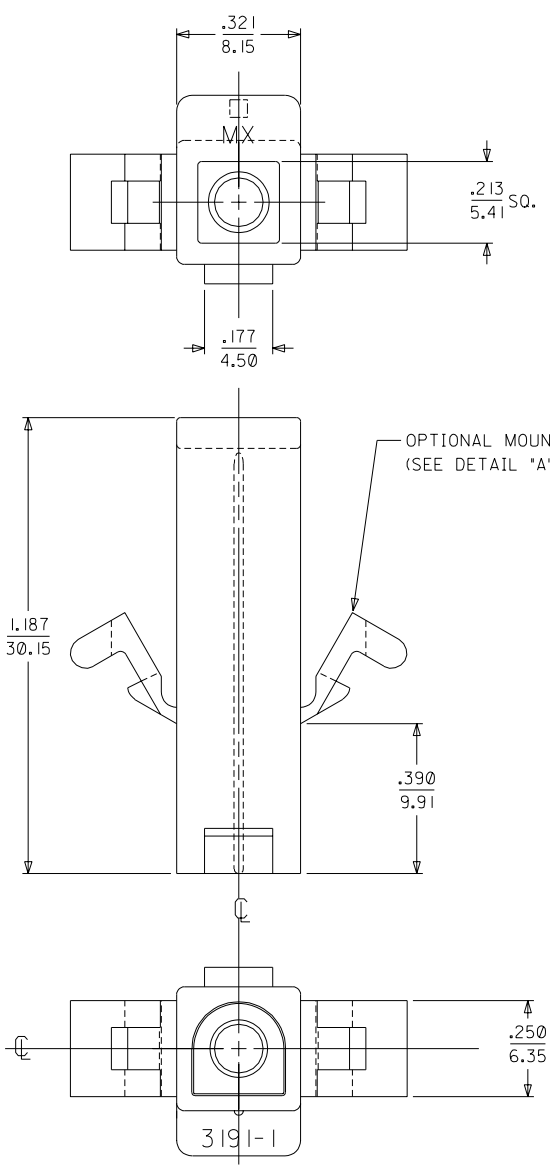
[3191Series](#)

**Mates With**

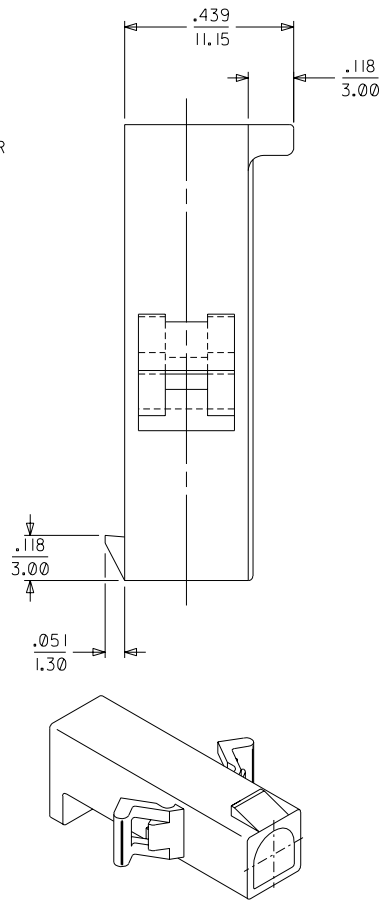
[3191](#) Pin and Socket Rectacle, [5219](#) Vertical PCB Header

**Use With**

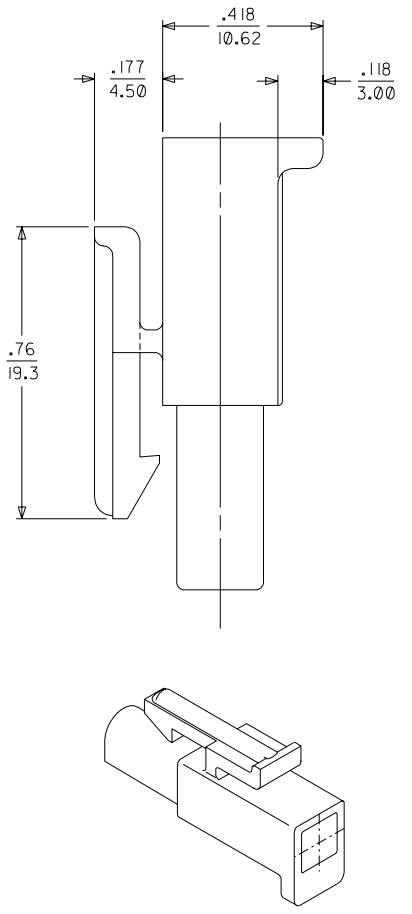
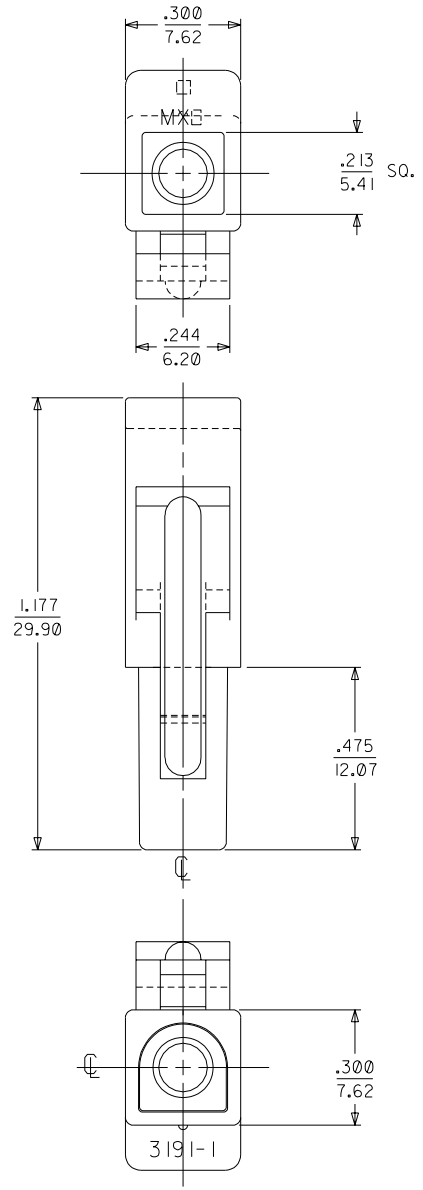
[1189](#) Crimp Terminals, [1190](#) Crimp Terminals, [1380](#) Male Crimp Terminals, [1381](#) Female Crimp Terminals, [1433](#) Crimp Terminals, [1434](#) Male Crimp Terminals, [2605](#) , [2606](#) , [1973](#) , [2151](#) , [2273](#) , [2870](#) , [2871](#) , [4272](#) , Lin



OPTIONAL MOUNTING EAR  
(SEE DETAIL 'A' SHT 2)



PLUG



RECEPTACLE

OBSOLETE 3191-1R1RD  
EC NO. LUCP2004-0423  
DRWN: ELHAG 09/03/03  
CHK: ELHAG 09/03/03  
APPR: FSMITH 09/10/03

REV	DESCRIPTION
E	

QUALITY SYMBOLS	MAJOR $\nabla = 0$	CRITICAL $\nabla C = 0$
GENERAL TOLERANCES: (UNLESS SPECIFIED)	4 PLACES $\pm 0.---$	3 PLACES $\pm 0.$
	2 PLACES $\pm 0.25$	1 PLACE $\pm 0.36$
	ANGULAR: $\pm 1^\circ$	
DRAFT WHERE APPLICABLE MUST REMAIN WITHIN DIMENSIONS		

SCALE	4 : 1
DESIGN UNITS	<input type="checkbox"/> mm <input checked="" type="checkbox"/> INCH
DRAWN BY & DATE	JBS 06/10/03
CHECKED BY & DATE	BW 06/13/03
APPROVED BY & DATE	BW 06/16/03
CAD FILENAME	SD-3191-1.DGN

DIMENSIONS:		<input type="checkbox"/> mm <input checked="" type="checkbox"/> INCH <input type="checkbox"/> mm ONLY
THIRD ANGLE PROJECTION	<input type="checkbox"/> mm <input checked="" type="checkbox"/> INCH <input type="checkbox"/> mm ONLY	
TITLE:	.093/(2.36) HOUSING, PLUG AND RECEPTACLE, 1 - CIRCUIT	
MATERIAL NO.	DRAWING NO.	SHEET NO.
SEE CHART	SD-3191-1*	1 of 2
THIS DRAWING CONTAINS INFORMATION THAT IS PROPRIETARY TO MOLEX INCORPORATED AND SHOULD NOT BE USED WITHOUT WRITTEN PERMISSION.		SIZE C

2	E
1	E
SHT	REV
REVISE ON CAD ONLY	

