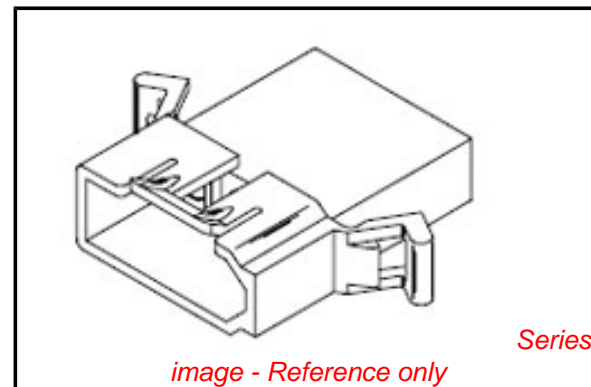


**PLEASE CHECK WWW.MOLEX.COM FOR LATEST PART INFORMATION**

**Part Number:** [0019092032](#)  
**Status:** **Active**  
**Overview:** [standard\\_093](#)  
**Description:** 2.36mm (.093") Diameter, .093" Pin and Socket Plug Housing with Positive Latch, 3 Circuits, Without Mounting Ears

**Documents:**

<a href="#">3D Model</a>	<a href="#">Product Specification PS-1991-011 (PDF)</a>
<a href="#">Drawing (PDF)</a>	<a href="#">Product Specification PS-1991-012 (PDF)</a>
<a href="#">Packaging Specification (PDF)</a>	<a href="#">RoHS Certificate of Compliance (PDF)</a>
<a href="#">Product Specification PS-02-09 (PDF)</a>	



*image - Reference only*

**Agency Certification**

CSA	LR19980
TUV	R95725
UL	E29179

**General**

Product Family	Crimp Housings
Series	<a href="#">1991</a>
Comments	Polarized to Mating Part
Overview	<a href="#">standard_093</a>
Product Name	Standard .093"

**Physical**

Breakaway	No
Circuits (maximum)	3
Circuits Detail	1x3
Color - Resin	Natural
Flammability	94V-2
Gender	Female
Glow-Wire Compliant	No
Keying to Mating Part	None
Lock to Mating Part	Yes
Material - Resin	Nylon
Number of Rows	1
Packaging Type	Bag
Panel Mount	No
Pitch - Mating Interface (in)	0.248 In
Pitch - Mating Interface (mm)	6.30 mm
Polarized to Mating Part	Yes
Stackable	No
Temperature Range - Operating	-40°C to +105°C

**Electrical**

Current - Maximum per Contact	12A
-------------------------------	-----

**Material Info**

Old Part Number	1991-3P1
-----------------	----------

**Reference - Drawing Numbers**

Packaging Specification	PK-1991-002
Product Specification	PS-02-09, PS-1991-011, PS-1991-012
Sales Drawing	SD-1991-3*

**EU RoHS**

**ELV and RoHS Compliant**  
**REACH SVHC**  
**Contains SVHC: No**  
**Halogen-Free**  
**Status**  
**Not Reviewed**

**China RoHS**



**Need more information on product environmental compliance?**

Email [productcompliance@molex.com](mailto:productcompliance@molex.com)  
 For a multiple part number RoHS Certificate of Compliance, [click here](#)

Please visit the [Contact Us](#) section for any non-product compliance questions.

**Search Parts in this Series**

[1991Series](#)

**Mates With**

[19-09-1032 Plug](#)

**Use With**

[1189](#) Crimp Terminals, [1190](#) Crimp Terminals, [1380](#) Male Crimp Terminals, [1381](#) Female Crimp Terminals, [1433](#) Crimp Terminals, [1434](#) Male Crimp Terminals, [1973](#) , [2151](#) , [2273](#) , [2870](#) , [2871](#) , [4272](#) , [4550](#) , [6271](#) , Lin

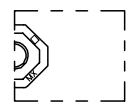
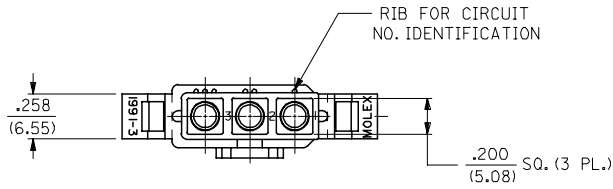
This document was generated on 05/18/2010

**PLEASE CHECK [WWW.MOLEX.COM](http://WWW.MOLEX.COM) FOR LATEST PART INFORMATION**

13 12 11 10 9 8 7 6 5 4 3 2 1

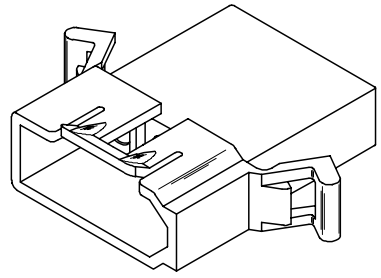
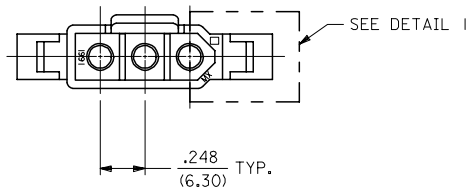
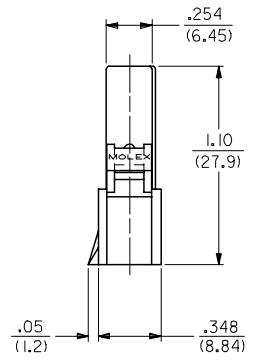
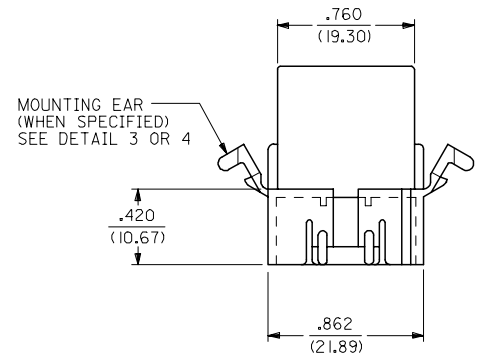
J  
I  
H  
G  
F  
E  
D  
C  
B  
A

J  
I  
H  
G  
F  
E  
D  
C  
B  
A



PT. NO. (19-09-2033)  
ENG. NO. 1991-3P4  
PLUG WITHOUT MTG. EARS AND  
WITHOUT SQUARE ENDS.  
FOR USE WITH 2687 CONNECTOR

DETAIL 1



PLUG HOUSING

3	X
2	X
1	X

UPDATE TITLE BLOCK FC NO: UCP2007-1498 DRWN: AELHAG 2007/04/04 CHKD: AELHAG 2007/04/04 APPR: FSM TH 2007/04/04 REV X	QUALITY SYMBOLS  	GENERAL TOLERANCES (UNLESS SPECIFIED)		DIMENSION STYLE IN/MM	SCALE 2:1	DESIGN UNITS INCH	THIRD ANGLE PROJECTION		
		4 PLACES ± .005 ± .005 3 PLACES ± .005 ± .005 2 PLACES ± 0.13 ± .010 1 PLACE ± 0.25 ± .010	DRAWN BY GEP	DATE 1988/03/07	CHECKED BY RW	DATE 1988/03/07	TITLE .093/(2.36) HOUSINGS, PLUG AND RECEPTACLE, 3 CKT, .248/(6.30) CTRS		
		ANGULAR ± 1 °	APPROVED BY RAS	DATE 1988/03/07	MATERIAL NO. SD-1991-3* DOCUMENT NO. MOLEX INCORPORATED SHEET NO. 1 OF 3				
		DRAFT WHERE APPLICABLE MUST REMAIN WITHIN DIMENSIONS		SEE CHART		THIS DRAWING CONTAINS INFORMATION THAT IS PROPRIETARY TO MOLEX INCORPORATED AND SHOULD NOT BE USED WITHOUT WRITTEN PERMISSION			

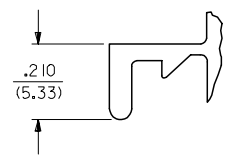
12 11 10 9 8 7 6 5 4 3 2 1

PLUG		
PART NO.	ENG. NO.	PKG. INFORMATION
I9-09-2031	I991-3P	PK-1991-001
I9-09-7031	I991-3PBK	PK-1991-001
I9-09-7032	I991-3PIBK	PK-1991-001
I9-09-2033	I991-3P4	OBS.
I9-09-2032	I991-3PI	PK-1991-002
I9-09-7034	I991-3PIOR	PK-1991-001

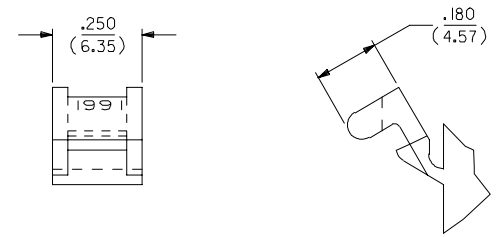
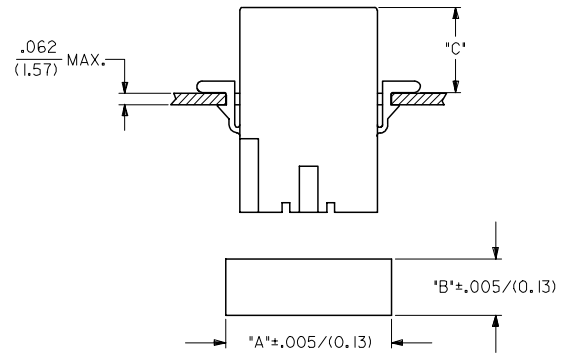
RECEPTACLE		
PART NO.	ENG. NO.	PKG. INFORMATION
I9-09-1032	I991-3R1	PK-1991-001
I9-09-6031	I991-3RBK	PK-1991-001
I9-09-6032	I991-3RIBK	PK-1991-001
I9-09-1030	I991-3R5	OBS.

**LEGEND:**

1991-3\*\*\*\*  
 CIRCUIT SIZE  
 P = PLUG  
 R = RECEPTACLE  
 BLANK = PLUG; WITH PREBENT EARS PER DETAIL 4  
 1 = WITHOUT EARS  
 4 = WITHOUT EARS, WITHOUT SQUARE ENDS PER DETAIL 1  
 5 = RECEPT; WITH PREBENT EARS, PER DETAIL 4  
 COLOR: BLANK=NATURAL COLOR  
 AM=AMBER BK=BLACK BU=BLUE  
 BN=BROWN CY=GRAY GN=GREEN  
 OR=ORANGE RD=RED YW=YELLOW



**DETAIL 3**  
STANDARD MOUNTING EAR  
(SCALE 4:1)



**DETAIL 4**  
PREBENT MOUNTING EAR  
(SCALE 4:1)

HOUSING	DIM. "A"	DIM. "B"	DIM. "C" STD. EAR	DIM. "C" PREBENT
PLUG	1.022/(25.96)	.365/(9.27)	.48/(12.2)	.52/(13.2)
RECEPTACLE	.920/(23.37)	.311/(7.90)	.47/(11.9)	.51/(12.9)

- NOTES:**
- MATERIAL: NYLON TYPE 6/6. 94V-2.
  - FINISH: NOT APPLICABLE
  - PRODUCT SPECIFICATION: PS-02-09
  - PACKAGING SPECIFICATION: SEE CHART
  - ACCEPTS MOLEX .093/(2.36) SERIES TERMINALS.
  - VERSION FOR USE WITH 2687 CONNECTOR.
  - PARTS CONFORM TO CLASS B REQUIREMENTS OF COSMETIC SPECIFICATION PS-45499-002.

ADD NOTES 2,3,4, & 7 EC NO: UCP2007-1498 DRW: AELHAG 2007/04/04 CHKD: AELHAG 2007/04/04 APPR: FSM TH 2007/04/04 REVISIONS	QUALITY SYMBOLS ▽=0 ▽=0	GENERAL TOLERANCES (UNLESS SPECIFIED) mm INCH 4 PLACES ± --- ± --- 3 PLACES ± --- ± .010 2 PLACES ± 0.25 ± .014 1 PLACE ± 0.35 ± --- ANGULAR ± 1 °	DIMENSION STYLE IN/MM DRAWN BY DATE GEP 1988/03/07 CHECKED BY DATE RW 1988/03/07 APPROVED BY DATE RAS 1988/03/07 MATERIAL NO. DOCUMENT NO.	SCALE 2:1 DESIGN UNITS INCH THIRD ANGLE PROJECTION
	DRAFT WHERE APPLICABLE MUST REMAIN WITHIN DIMENSIONS		TITLE .093/(2.36) HOUSINGS, PLUG AND RECEPTACLE, 3 CKT, .248/(6.30) CTRS. MOLEX INCORPORATED SD-1991-3* SHEET NO. 3 OF 3	