

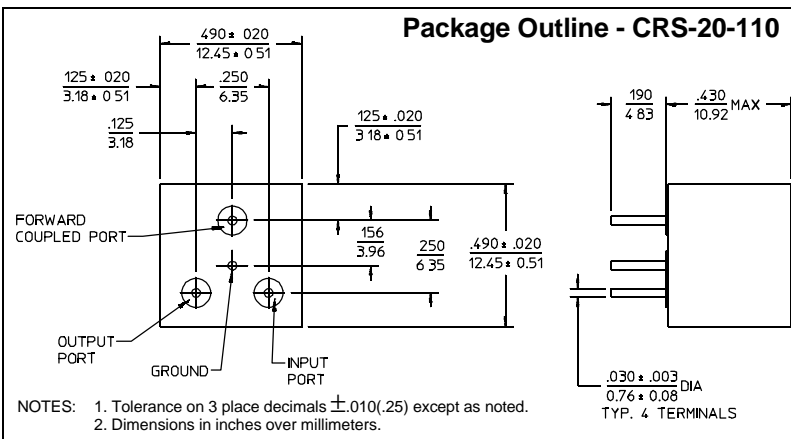


PRINCIPAL SPECIFICATIONS

Model Number	Frequency Range, MHz	Operating Bandwidth, MHz	□ Coupling, dB, Nom.	Frequency Sensitivity, dB, Max.	Directivity, dB, Min.	Insertion Loss,* dB, Max.	VSWR, Max.	CW Input, W	Wt., Nom. oz.(g)
CRS-10-165	30 - 500	30 - 300	10 ± 1.0	± 0.25	30	0.7	1.3:1	5	0.5(14)
		300 - 500	10 ± 1.0	± 0.25	25	1.0	1.3:1		
CRS-20-110	10 - 400	10 - 400	20 ± 1.0	± 0.5	20	0.6	1.4:1	2	0.25(7)
		20 - 200	20 ± 1.0	± 0.25	25	0.4	1.25:1		

□ Coupling is Referenced to the Input

* Insertion Loss excludes Coupling loss



GENERAL SPECIFICATIONS

Impedance: 50 Ω nom.
Operating Temperature: -55° to +85°C

General Notes:

- Merrimac offers a wide variety of directional couplers covering frequencies from 100 kHz to 18 GHz. They are ideally suited to monitoring forward and reflected power with minimal perturbation of the main line signal.
- Applications of directional couplers include monitoring of incident and reflected power, signal sampling for control loops and test signal injection devices in BITE.
- CRS series directional couplers may be used back-to-back as dual directional couplers or ordered with both coupled ports available as in the CRP series.
- These units comply with MIL-C-15370 and can be supplied screened for compliance with additional specifications you designate for military and aerospace applications requiring higher reliability.

