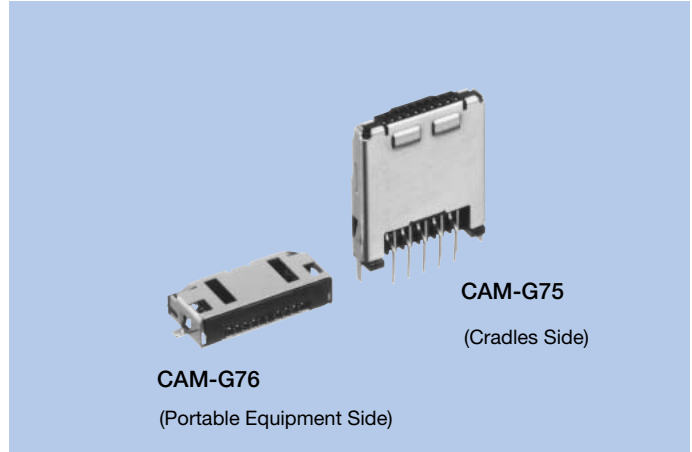


# Interface Connectors for Cradle

## CAM-G75, G76

### FEATURES

1. Developed for connection of portable equipment with cradles.
2. 10-pole specification with SMT on the portable equipment side, DIP on the cradle side.
3. Sequential connection in the contact position (depth direction) possible.
4. Construction enables absorption of play in connector units.
5. Shape enables corrections for inclined mating.



### HOW TO ORDER

#### 1. CAM-G75

**G75-010-05 H-A G B A-H**  
 1      2      3      4      5      6      7      8      9

- 1 Series No. (G75)
- 2 No. of contacts (010 : 10pins)
- 3 Housing material (05 : 46 Nylon resin)
- 4 UL grade (H : UL94HB)
- 5 Contact plating  
(A : Contact area Gold, Lead area Gold)
- 6 Contact plating thickness (G : 0.3μm)
- 7 Contact read style (B : Angle)
- 8 Coupling side accessories (A : None)
- 9 Board side accessories (H : Wing)

#### 2. CAM-G76

**G76-010-05 H-A G G A-H**  
 1      2      3      4      5      6      7      8      9

- 1 Series No. (G76)
- 2 No. of contacts (010 : 10pins)
- 3 Housing material (05 : 46 Nylon resin)
- 4 UL grade (0 : UL94HB)
- 5 Contact plating  
(A : Contact area Gold, Lead area Gold)
- 6 Contact plating thickness (G : 0.3μm)
- 7 Contact read style (G : Angle SMT)
- 8 Coupling side accessories (A : None)
- 9 Board side accessories (H : Wing)

## SPECIFICATIONS

### ELECTRICAL CHARACTERISTICS

Rated Voltage	100V AC(rms)
Rated Current	1.0A
Withstanding Voltage	250V AC (rms) 1minute
Insulation Resistance	100MΩ min. (Initial 250V DC)
Contact Resistance	50mΩ max. (Initial)

### MECHANICAL CHARACTERISTICS

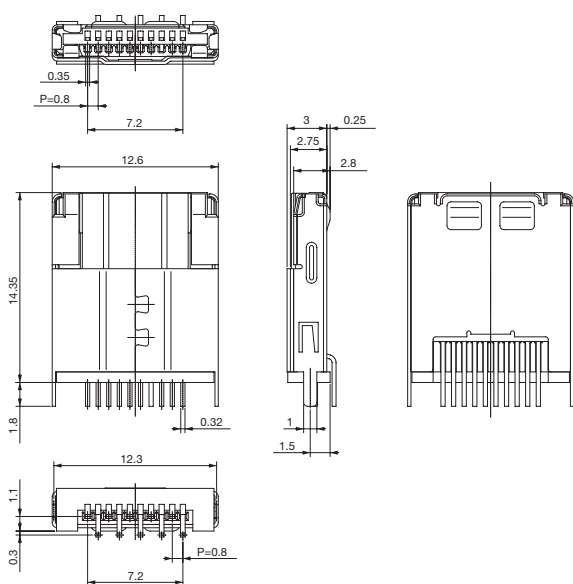
Life (Matching Cycle)	10,000 times.
Total Insertion Force	29.4N (3kgf) max.
Eject Force	29.4N (3kgf) max.
Using Temperature Range	-20°C~+70°C

## MATERIAL & FINISH

Component Parts		Material	Finish
CAM-G75	Housing	46 Nylon resin	(Black)
	Contact	Copper Alloy	Gold plating
	Shielded Case	Copper Alloy	Gold plating
	Coil Spring	SUS/SUS	—
	Shutter	46 Nylon resin	(Black)
CAM-G76	Housing	46 Nylon resin	(Black)
	Contact	Copper Alloy	Gold plating
	Shielded Case	Copper Alloy	Gold plating
	Coil Spring	SUS/SUS	—
	Shutter	46 Nylon resin	(Black)

## DIMENSIONS

CAM-G75



CAM-G76

