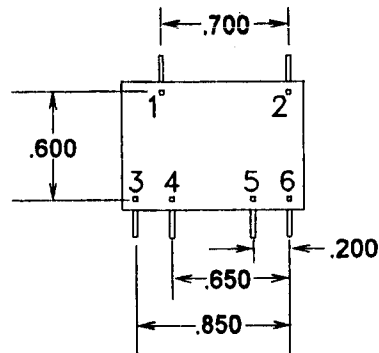
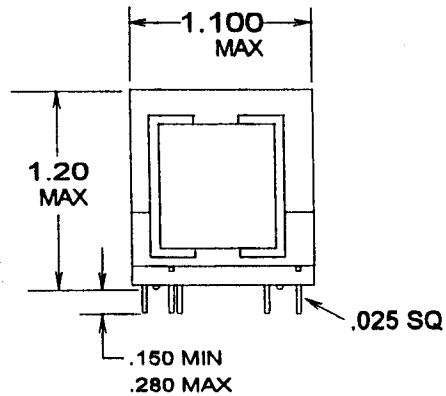


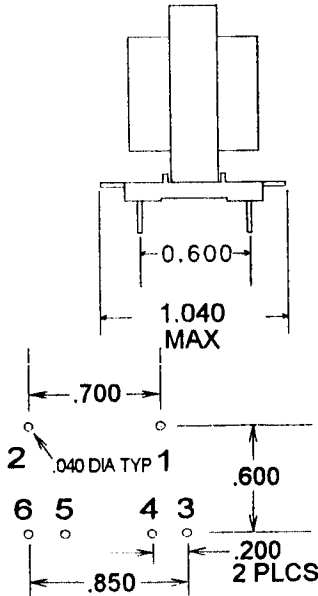
TOLERANCE UNLESS SPECIFIED = .XXX = +/- .005 .XX = +/- .015 FRACTIONS = +/- .032

PRODUCTION TESTS

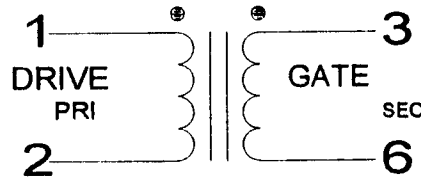
GDE25-3.DC2



BOTTOM VIEW



MOUNTING HOLE PATTERN TOP VIEW



LAMINATION NOTES

URNS RATIO = 100%

DC RESISTANCE IN OHMS	(1 - 2) .875 MAX
	(3 - 6) .350 MAX

APPLY = .1V @ 10 KHz PIN (1 - 2)

INDUCTANCE = 1.50 mHYS MIN

LEAKAGE INDUCTANCE = 3.50 uHYS MAX 1 TO 2 WITH 3 TO 6 SHORTED

HIPOT = 4125 VRMS 1 SEC MIN PRI TO SEC
 2750 VRMS 1 SEC MIN SEC TO CORE
 1375 VRMS 1 SEC MIN PRI TO CORE

CONTINUITY =

FINAL ASSEMBLY NOTES

MagneTek

PART NO. GDE25-3