

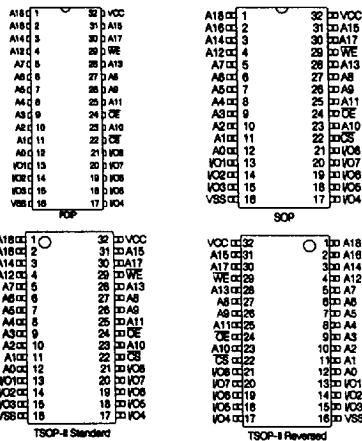
DESCRIPTION

The HY628400 is a high-speed, low power and 524,288x8-bits CMOS static RAM fabricated using Hyundai's high performance twin tub CMOS process technology. This high reliability process coupled with innovative circuit design techniques, yields maximum access time of 55ns. The HY628400 has a data retention mode that guarantees data to remain valid at a minimum power supply voltage of 2.0 volt. Using CMOS technology, supply voltages from 2.0 to 5.5 volt have little effect on supply current in data retention mode. Reducing the supply voltage to minimize current drain is unnecessary with the HY628400 Series.

FEATURES

- High speed-55/70/85/100ns (max.)
- Low power consumption
 - Operating : 25mW (typ.)
 - Standby (CMOS) : 5 μ W (typ.)
- Single 5V \pm 10% power supply
- Battery backup (L/LL-part)
 - 2.0V (min.) data retention
- Fully static operation
 - No clock or refresh required
- TTL compatible inputs and outputs
- Tri-state output
- Standard pin configuration
 - 32 pin 600 mil PDIP
 - 32 pin 525 mil SOP
 - 32 pin 400 mil TSOP - II

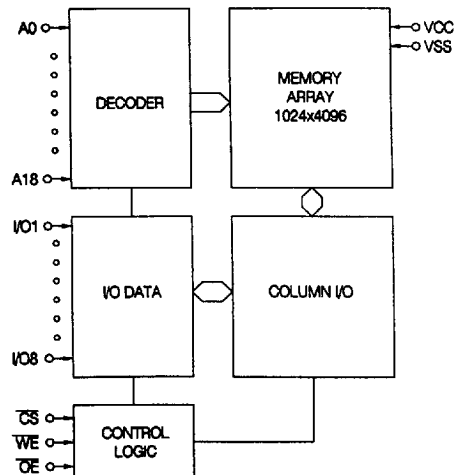
PIN CONNECTION



PIN DESCRIPTION

Pin Name	Pin Function
\overline{CS}	Chip Select
\overline{WE}	Write Enable
\overline{OE}	Output Enable
A0-A18	Address Inputs
I/O1-I/O8	Data Input/Output
Vcc	Power(+5V)
Vss	Ground

BLOCK DIAGRAM



ABSOLUTE MAXIMUM RATINGS⁽¹⁾

SYMBOL	PARAMETER	RATING	UNIT
VCC, VIN, VOUT	Power Supply, Input/Output Voltage	-0.5 to 7.0	V
TA	Operating Temperature	-0 to 70	°C
TBIAS	Temperature Under Bias	-10 to 125	°C
TSTG	Storage Temperature	-65 to 150	°C
PD	Power Dissipation	1.0	W
IOUT	Data Output Current	50	mA
TSOLDER	Lead Soldering Temperature & Time	260 • 10	°C • sec

Note:

1. Stresses greater than those listed under ABSOLUTE MAXIMUM RATINGS may cause permanent damage to the device. This is stress rating only and functional operation of the device at these or any other conditions above those indicated in the operational of this specification is not implied. Exposure to absolute maximum rating conditions for extended period may affect reliability.

RECOMMENDED DC OPERATING CONDITIONS

(TA=0°C to 70°C)

SYMBOL	PARAMETER	MIN.	TYP.	MAX.	UNIT
VCC	Power Supply Voltage	4.5	5.0	5.5	V
VIH	Input High Voltage	2.2	-	VCC+0.5	V
VIL	Input Low Voltage	-0.5 ⁽¹⁾	-	0.8	V

Note:

1. VIL = -3.0V for pulse width less than 50ns

TRUTH TABLE

MODE	I/O OPERATION	CS	WE	OE
Standby	High-Z	H	X	X
Output Disabled	High-Z	L	H	H
Read	Data Out	L	H	L
Write	Data in	L	L	X

Note:

1. H=VIH, L=VIL, X=Don't Care

■ 4675088 0006345 T96 ■

DC CHARACTERISTICS

(TA = 0°C to 70°C, Vcc = 5V± 10%, unless otherwise specified.)

SYMBOL	PARAMETER	TEST CONDITIONS	POWER	MIN.	TYP.	MAX.	UNIT
I _{LI}	Input Leakage Current	V _{SS} ≤ V _{IN} ≤ V _{CC}		-1	-	1	μA
I _{LO}	Output Leakage Current	V _{SS} ≤ V _{OUT} ≤ V _{CC} CS = V _{IH} or OE = V _{IH} or WE = V _{IL}		-1	-	1	μA
I _{CC}	Operating Power Supply Current	CS = V _{IL} V _{IH} = V _{IH} or V _{IL} , I _{VO} = 0mA		-	5	10	mA
I _{CC1}	Average Operating Current	CS = V _{IL} Min. Duty Cycle = 100%, I _{VO} = 0mA		-	50	70	mA
I _{SB}	TTL Standby Current (TTL Inputs)	CS = V _{IH}		-	0.4	2	mA
I _{SB1}	CMOS Standby Current (CMOS Inputs)	CS ≥ V _{CC} - 0.2V		-	-	1	mA
			L	-	2	100	μA
			LL	-	1	30	μA
V _{OL}	Output Low Voltage	I _{OL} = 2.1mA		-	-	0.4	V
V _{OH}	Output High Voltage	I _{OH} = -1.0mA		2.4	-	-	V

Note:

1. Typical values are at V_{CC} = 5.0V, T_A = 25°C

4675088 0006346 922

AC CHARACTERISTICS

(TA=0°C to 70°C, VCC=5V ±10%, unless otherwise noted.)

#	SYMBOL	PARAMETER	-55		-70		-85		-10		UNIT
			MIN.	MAX.	MIN.	MAX.	MIN.	MAX.	MIN.	MAX.	
READ CYCLE											
1	t _{RC}	Read Cycle Time	55	-	70	-	85	-	100	-	ns
2	t _{AA}	Address Access Time	-	55	-	70	-	85	-	100	ns
3	t _{ACS}	Chip Select Access Time	-	55	-	70	-	85	-	100	ns
4	t _{OE}	Output Enable to Output Valid	-	25	-	35	-	45	-	50	ns
5	t _{CLZ}	Chip Select to Low -Z Output	10	-	10	-	10	-	10	-	ns
6	t _{OLZ}	Output Enable to Low-Z Output	5	-	5	-	5	-	5	-	ns
7	t _{CHZ}	Chip Disable to High -Z Output	0	20	0	25	0	30	0	30	ns
8	t _{OHZ}	Output Disable to High -Z Output	0	20	0	25	0	30	0	30	ns
9	t _{OH}	Output Hold from Address Change	10	-	10	-	10	-	10	-	ns
WRITE CYCLE											
10	t _{WC}	Write Cycle Time	55	-	70	-	85	-	100	-	ns
11	t _{CW}	Chip Select to End of Write	45	-	60	-	70	-	80	-	ns
12	t _{AW}	Address Valid to End of Write	45	-	60	-	70	-	80	-	ns
13	t _{AS}	Address Set-up Time	0	-	0	-	0	-	0	-	ns
14	t _{WP}	Write Pluse Width	40	-	50	-	55	-	60	-	ns
15	t _{WR}	Write Recovery Time	0	-	0	-	0	-	0	-	ns
16	t _{WHZ}	Write to High-Z Output	0	20	0	25	0	30	0	30	ns
17	t _{DW}	Data to Write Time Overlap	25	-	30	-	35	-	40	-	ns
18	t _{DH}	Data Hold from Write Time	0	-	0	-	0	-	0	-	ns
19	t _{OW}	Output Active from End of Write	5	-	5	-	5	-	5	-	ns

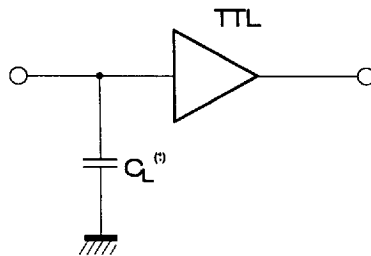
■ 4675088 0006347 869 ■

AC TEST CONDITIONS

(TA=0°C to 70°C, Vcc=5V ± 10%, unless otherwise specified.)

PARAMETER	VALUE
Input Pulse Level	0.8V to 2.4V
Input Rise and Fall Time	5ns
Input and Output Timing Reference levels	1.5V
Output Load	CL=100pF + 1TTL Load

AC TEST LOADS



NOTE:
1. Including jig and scope capacitance.

CAPACITANCE

(TA=25°C, f= 1MHz)

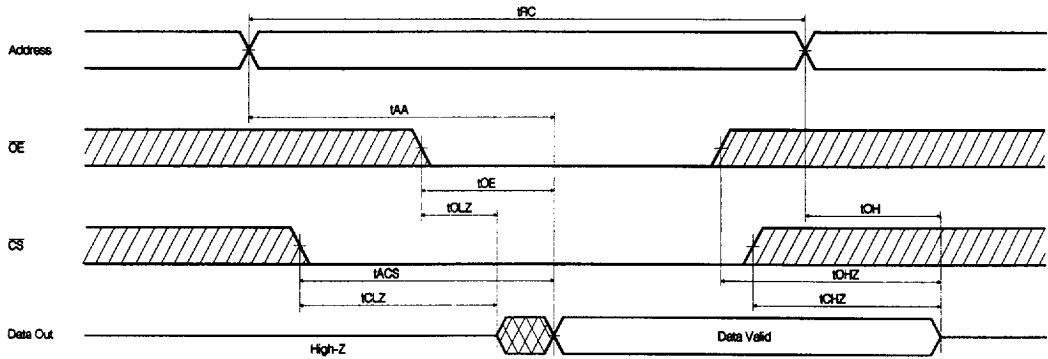
SYMBOL	PARAMETER	CONDITION	MAX.	UNIT
C _{IN}	Input Capacitance	V _{IN} =0V	6	pF
C _{IO}	Input/Output Capacitance	V _{IO} =0V	8	pF

Note:
1. This parameter is sampled and not 100% tested.

4675088 0006348 7T5

TIMING DIAGRAM

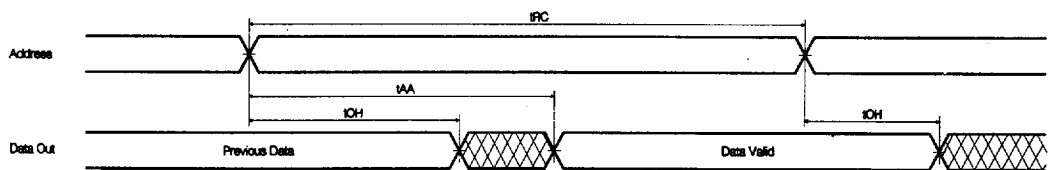
READ CYCLE 1



Note (READ CYCLE):

1. tCHZ and tOHZ are defined as the time at which the outputs achieve the open circuit conditions and are not referenced to output voltage levels.
2. At any given temperature and voltage condition, tCHZ max. is less than tCLZ min. both for a given device and from device to device.
3. \overline{WE} is high for read cycle.

READ CYCLE 2

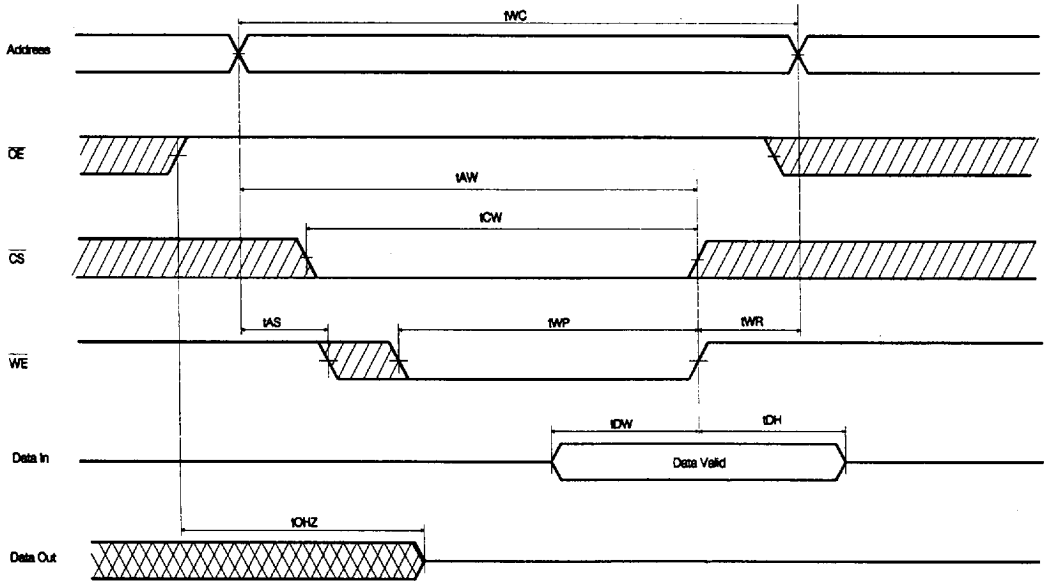


Note(READ CYCLE):

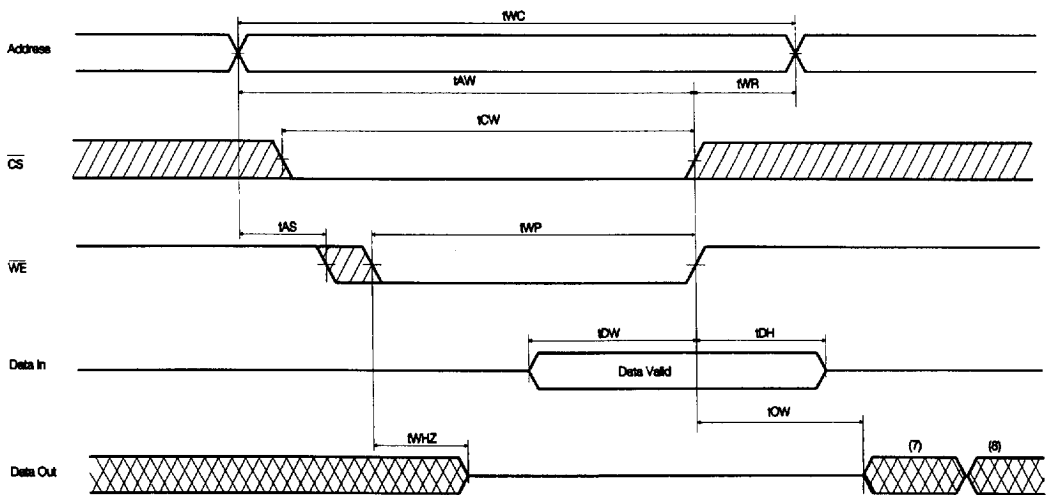
1. \overline{WE} is high for read cycle.
2. Device is continuously selected $\overline{CS}=V_{IL}$.
3. $\overline{OE}=V_{IL}$.

4675088 0006349 631

WRITE CYCLE 1 (\overline{OE} Clocked)



WRITE CYCLE 2 (\overline{OE} Low Fixed)



4675088 0006350 353

Note (WRITE CYCLE):

1. A write occurs during the overlap of a low \overline{CS} and a low \overline{WE} . A write begins at the latest transition among \overline{CS} going low, and \overline{WE} going low: A write ends at the earliest transition among \overline{CS} going high \overline{WE} going high. t_{WP} is measured from the beginning of write to the end of write.
2. t_{CW} is measured from the later of \overline{CS} going low to end of write.
3. t_{AS} is measured from the address valid to the beginning of write.
4. t_{WR} is measured from the end of write to the address change. t_{WR} applied in case a write ends as \overline{CS} , or \overline{WE} going high.
5. If \overline{OE} and \overline{WE} are in the read mode during this period, the I/O pins are in the output low-Z state, inputs of opposite phase of the output must not be applied because bus contention can occur.
6. If \overline{CS} goes low simultaneously with \overline{WE} going low or after \overline{WE} going low, the outputs remain in high impedance state.
7. D_{OUT} is the same phase of latest written data in this write cycle.
8. D_{OUT} is the read data of the new address.

■ 4675088 0006351 29T ■

DATA RETENTION CHARACTERISTICS

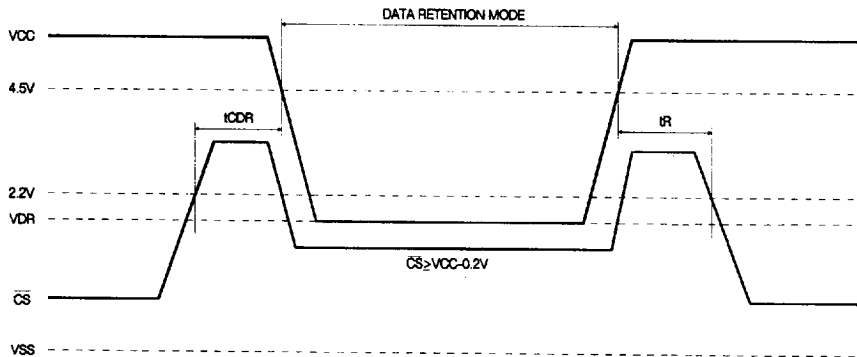
(TA= 0°C to 70°C)

SYMBOL	PARAMETER	TEST CONDITION	POWER	MIN.	TYP.	MAX.	UNIT
VDR	VCC for Data Retention	$\overline{CS} \geq V_{CC}-0.2V$ $V_{SS} \leq V_{IN} \leq V_{CC}$		2.0	-	-	V
IccDR	Data Retention Current	VCC=3.0V, $\overline{CS} \geq V_{CC}-0.2V$ $V_{SS} \leq V_{IN} \leq V_{CC}$	L	-	1	50	μA
			LL	-	1	15 ⁽²⁾	μA
tCDR	Chip Disable to Data Retention Time	See Data Retention Timing Diagram		0	-	-	ns
tR	Operating Recovery Time		tRC ⁽²⁾	-	-	-	ns

Notes :

1. Typical values are at the condition of TA=25°C.
2. 3 μA max. at TA= 0°C to 40°C.
3. tRC is read cycle time.

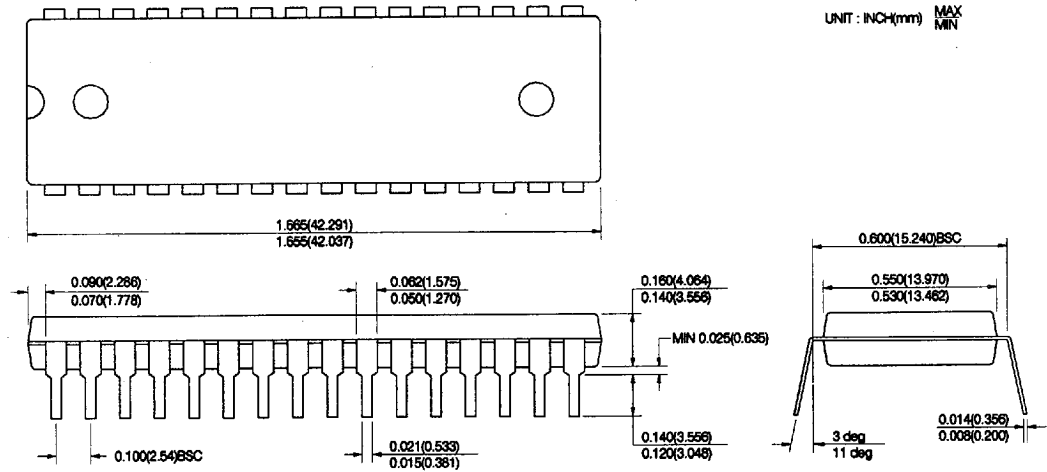
DATA RETENTION TIMING DIAGRAM 1



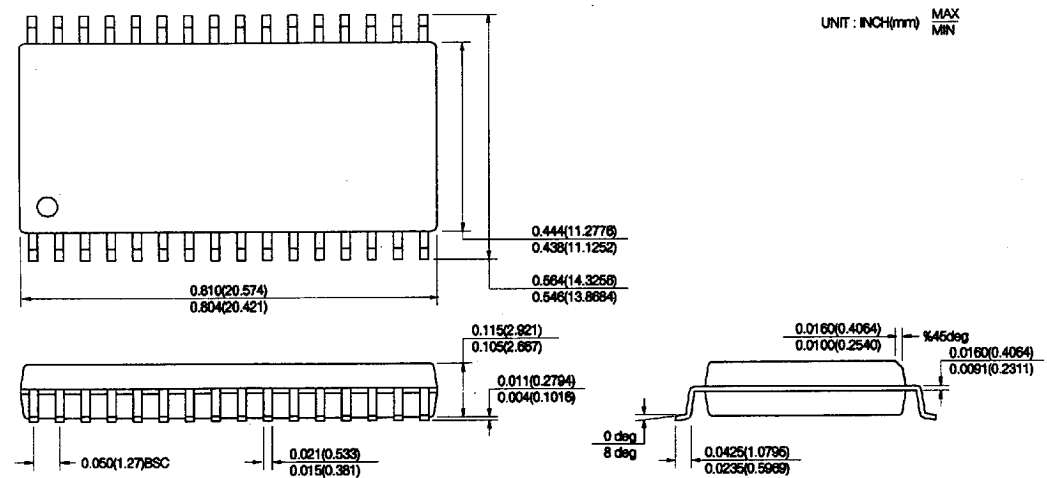
4675088 0006352 126

PACKAGE INFORMATION

600 mil 32 pin Plastic Dual In-line Package (p)



525 mil 32 pin Small Outline Package (G)



4675088 0006353 062

ORDERING INFORMATION

PART NO.	SPEED	POWER	PACKAGE
HY628400P	55/70/85/100		PDIP
HY628400LP	55/70/85/100	L-part	PDIP
HY628400LLP	55/70/85/100	LL-part	PDIP
HY628400G	55/70/85/100		SOP
HY628400LG	55/70/85/100	L-part	SOP
HY628400LLG	55/70/85/100	LL-part	SOP
HY628400T2	55/70/85/100		TSOP-II Standard
HY628400LT2	55/70/85/100	L-part	TSOP-II Standard
HY628400LLT2	55/70/85/100	LL-part	TSOP-II Standard
HY628400R2	55/70/85/100		TSOP-II Standard
HY628400LR2	55/70/85/100	L-part	TSOP-II Standard
HY628400LLR2	55/70/85/100	LL-part	TSOP-II Standard

■ 4675088 0006354 TT9 ■