

# W29C010



## 128K × 8 CMOS FLASH MEMORY

### GENERAL DESCRIPTION

The W29C010 is a 1-megabit, 5-volt only CMOS flash memory organized as 128K × 8 bits. The device can be programmed and erased in-system with a standard 5V power supply. A 12-volt V<sub>PP</sub> is not required. The unique cell architecture of the W29C010 results in fast program/erase operations with extremely low current consumption (compared to other comparable 5-volt flash memory products). The device can also be programmed and erased using standard EPROM programmers.

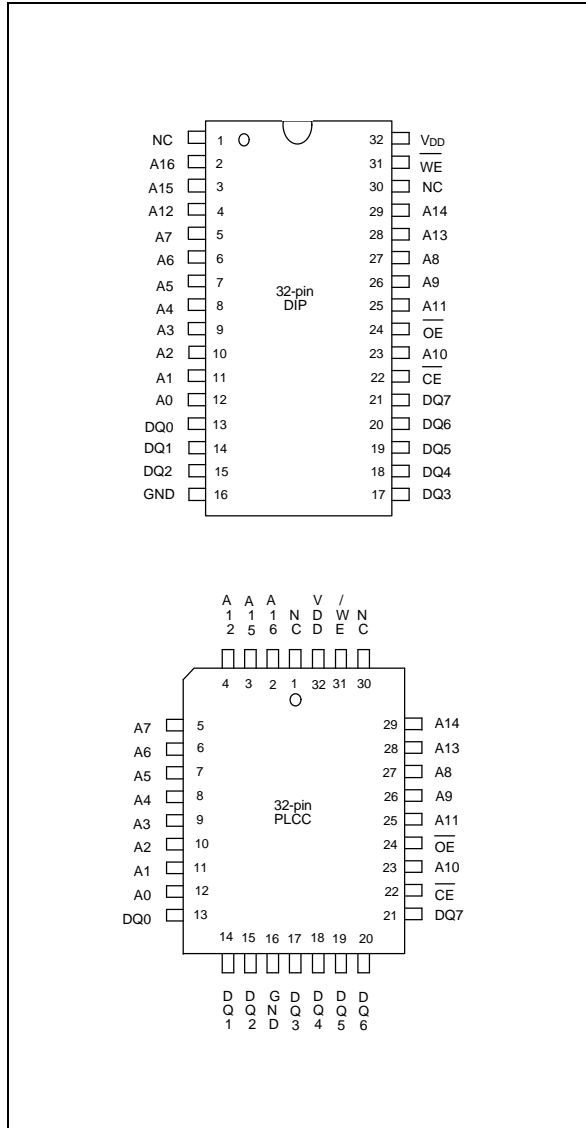
### FEATURES

- Single 5-volt program and erase operations
- Fast page-write operations
  - 128 bytes per page
  - Page program cycle: 10 mS (max.)
  - Effective byte-program cycle time: 39 μS
  - Optional software-protected data write
- Fast chip-erase operation: 50 mS
- Read access time: 45/70/90 nS
- Typical page program/erase cycles: 1K/10K
- Ten-year data retention
- Software and hardware data protection
- Low power consumption
  - Active current: 25 mA (typ.)
  - Standby current: 20 μA (typ.)
- Automatic program timing with internal V<sub>PP</sub> generation
- End of program detection
  - Toggle bit
  - Data polling
- Latched address and data
- TTL compatible I/O
- JEDEC standard byte-wide pinouts
- Available packages: 32-pin 600 mil DIP, 450 mil SOP, TSOP and PLCC

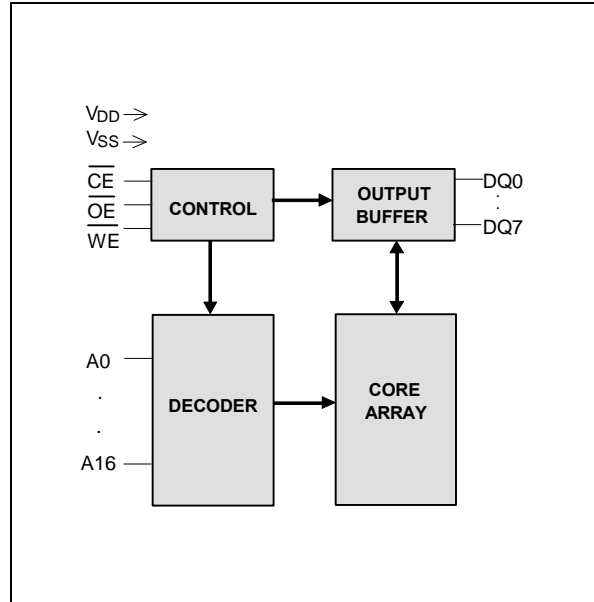
# W29C010



## PIN CONFIGURATIONS



## BLOCK DIAGRAM



## PIN DESCRIPTION

SYMBOL	PIN NAME
A0–A16	Address Inputs
DQ0–DQ7	Data Inputs/Outputs
$\overline{CE}$	Chip Enable
$\overline{OE}$	Output Enable
$\overline{WE}$	Write Enable
V <sub>DD</sub>	Power Supply
GND	Ground
NC	No Connection



## FUNCTIONAL DESCRIPTION

### Read Mode

The read operation of the W29C010 is controlled by  $\overline{CE}$  and  $\overline{OE}$ , both of which have to be low for the host to obtain data from the outputs.  $\overline{CE}$  is used for device selection. When  $\overline{CE}$  is high, the chip is de-selected and only standby power will be consumed.  $\overline{OE}$  is the output control and is used to gate data from the output pins. The data bus is in high impedance state when either  $\overline{CE}$  or  $\overline{OE}$  is high. Refer to the timing waveforms for further details.

### Page Write Mode

The W29C010 is programmed on a page basis. Every page contains 128 bytes of data. If a byte of data within a page is to be changed, data for the entire page must be loaded into the device. Any byte that is not loaded will be erased to "FFh" during programming of the page.

The write operation is initiated by forcing  $\overline{CE}$  and  $\overline{WE}$  low and  $\overline{OE}$  high. The write procedure consists of two steps. Step 1 is the byte-load cycle, in which the host writes to the page buffer of the device. Step 2 is an internal programming cycle, during which the data in the page buffers are simultaneously written into the memory array for non-volatile storage.

During the byte-load cycle, the addresses are latched by the falling edge of either  $\overline{CE}$  or  $\overline{WE}$ , whichever occurs last. The data are latched by the rising edge of either  $\overline{CE}$  or  $\overline{WE}$ , whichever occurs first. If the host loads a second byte into the page buffer within a byte-load cycle time (TBLC) of 200  $\mu$ S, after the initial byte-load cycle, the W29C010 will stay in the page load cycle. Additional bytes can then be loaded consecutively. The page load cycle will be terminated and the internal programming cycle will start if no additional byte is loaded into the page buffer within 300  $\mu$ S (TBLCO) from the last byte-load cycle, i.e., there is no subsequent  $\overline{WE}$  high-to-low transition after the last rising edge of  $\overline{WE}$ . A7 to A16 specify the page address. All bytes that are loaded into the page buffer must have the same page address. A0 to A6 specify the byte address within the page. The bytes may be loaded in any order; sequential loading is not required.

In the internal programming cycle, all data in the page buffers, i.e., 128 bytes of data, are written simultaneously into the memory array. Before the completion of the internal programming cycle, the host is free to perform other tasks such as fetching data from other locations in the system to prepare to write the next page.

### Software-protected Data Write

The device provides a JEDEC-approved optional software-protected data write. Once this scheme is enabled, any write operation requires a series of three-byte program commands (with specific data to a specific address) to be performed before the data load operation. The three-byte load command sequence begins the page load cycle, without which the write operation will not be activated. This write scheme provides optimal protection against inadvertent write cycles, such as cycles triggered by noise during system power-up and power-down.

The W29C010 is shipped with the software data protection enabled. To enable the software data protection scheme, perform the three-byte command cycle at the beginning of a page load cycle. The device will then enter the software data protection mode, and any subsequent write operation must be preceded by the three-byte program command cycle. Once enabled, the software data protection will remain enabled unless the disable commands are issued. A power transition will not reset the

# W29C010



software data protection feature. To reset the device to unprotected mode, a six-byte command sequence is required. See Table 3 for specific codes and Figure 10 for the timing diagram.

## Hardware Data Protection

The integrity of the data stored in the W29C010 is also hardware protected in the following ways:

- (1) Noise/Glitch Protection: A  $\overline{WE}$  pulse of less than 15 nS in duration will not initiate a write cycle.
- (2) V<sub>DD</sub> Power Up/Down Detection: The programming operation is inhibited when V<sub>DD</sub> is less than 3.8V.
- (3) Write Inhibit Mode: Forcing  $\overline{OE}$  low,  $\overline{CE}$  high, or  $\overline{WE}$  high will inhibit the write operation. This prevents inadvertent writes during power-up or power-down periods.

## Data Polling (DQ7)-Write Status Detection

The W29C010 includes a data polling feature to indicate the end of a programming cycle. When the W29C010 is in the internal programming cycle, any attempt to read DQ7 of the last byte loaded during the page/byte-load cycle will receive the complement of the true data. Once the programming cycle is completed, DQ7 will show the true data.

## Toggle Bit (DQ6)-Write Status Detection

In addition to data polling, the W29C010 provides another method for determining the end of a program cycle. During the internal programming cycle, any consecutive attempts to read DQ6 will produce alternating 0's and 1's. When the programming cycle is completed, this toggling between 0's and 1's will stop. The device is then ready for the next operation.

## 5-Volt-only Software Chip Erase

The chip-erase mode can be initiated by a six-byte command sequence. After the command loading cycles, the device enters the internal chip erase mode, which is automatically timed and will be completed in 50 mS. The host system is not required to provide any control or timing during this operation.

## Product Identification

The product ID operation outputs the manufacturer code and device code. Programming equipment automatically matches the device with its proper erase and programming algorithms.

The manufacturer and device codes can be accessed by software or hardware operation. In the software access mode, a six-byte command sequence can be used to access the product ID. A read from address 0000H outputs the manufacturer code (DAh). A read from address 0001H outputs the device code (C1h). The product ID operation can be terminated by a three-byte command sequence.

In the hardware access mode, access to the product ID is activated by forcing  $\overline{CE}$  and  $\overline{OE}$  low,  $\overline{WE}$  high, and raising A9 to 12 volts.

**W29C010****TABLE OF OPERATING MODES****Operating Mode Selection**

Operating Range = 0 to 70°C (Ambient Temperature), V<sub>DD</sub> = 5V ±10%, V<sub>SS</sub> = 0V, V<sub>HH</sub> = 12V

MODE	PINS				
	$\overline{\text{CE}}$	$\overline{\text{OE}}$	$\overline{\text{WE}}$	ADDRESS	DQ.
Read	V <sub>IL</sub>	V <sub>IL</sub>	V <sub>IH</sub>	A <sub>IN</sub>	Dout
Write	V <sub>IL</sub>	V <sub>IH</sub>	V <sub>IL</sub>	A <sub>IN</sub>	Din
Standby	V <sub>IH</sub>	X	X	X	High Z
Write Inhibit	X	V <sub>IL</sub>	X	X	High Z/DOUT
	X	X	V <sub>IH</sub>	X	High Z/DOUT
Output Disable	X	V <sub>IH</sub>	X	X	High Z
5-Volt Software Chip Erase	V <sub>IL</sub>	V <sub>IH</sub>	V <sub>IL</sub>	A <sub>IN</sub>	D <sub>IN</sub>
Product ID	V <sub>IL</sub>	V <sub>IL</sub>	V <sub>IH</sub>	A0 = V <sub>IL</sub> ; A1-A16 = V <sub>IL</sub> ; A9 = V <sub>HH</sub>	Manufacturer Code DA (Hex)
	V <sub>IL</sub>	V <sub>IL</sub>	V <sub>IH</sub>	A0 = V <sub>IH</sub> ; A1-A16 = V <sub>IL</sub> ; A9 = V <sub>HH</sub>	Device Code C1 (Hex)

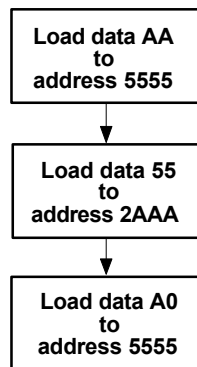


### Command Codes for Software Data Protection

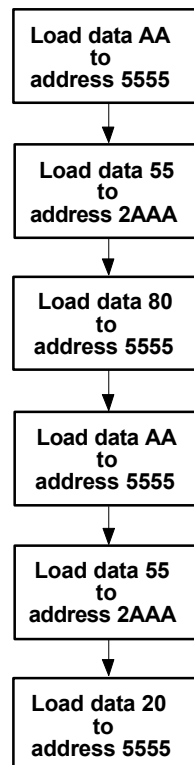
BYTE SEQUENCE	TO ENABLE PROTECTION		TO DISABLE PROTECTION	
	ADDRESS	DATA	ADDRESS	DATA
0 Write	5555H	AAH	5555H	AAH
1 Write	2AAAH	55H	2AAAH	55H
2 Write	5555H	A0H	5555H	80H
3 Write	-	-	5555H	AAH
4 Write	-	-	2AAAH	55H
5 Write	-	-	5555H	20H

### Software Data Protection Acquisition Flow

#### Software Data Protection Enable Flow



#### Software Data Protection Disable Flow



Notes for software program code:

Data Format: DQ7–DQ0 (Hex)

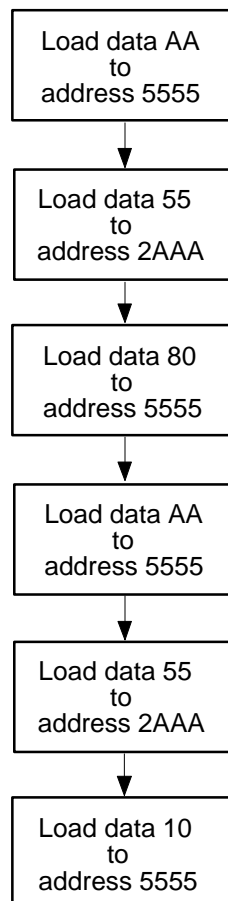
Address Format: A14–A0 (Hex)



### Command Codes for Software Chip Erase

BYTE SEQUENCE	ADDRESS	DATA
0 Write	5555H	AAH
1 Write	2AAAH	55H
2 Write	5555H	80H
3 Write	5555H	AAH
4 Write	2AAAH	55H
5 Write	5555H	10H

### Software Chip Erase Acquisition Flow



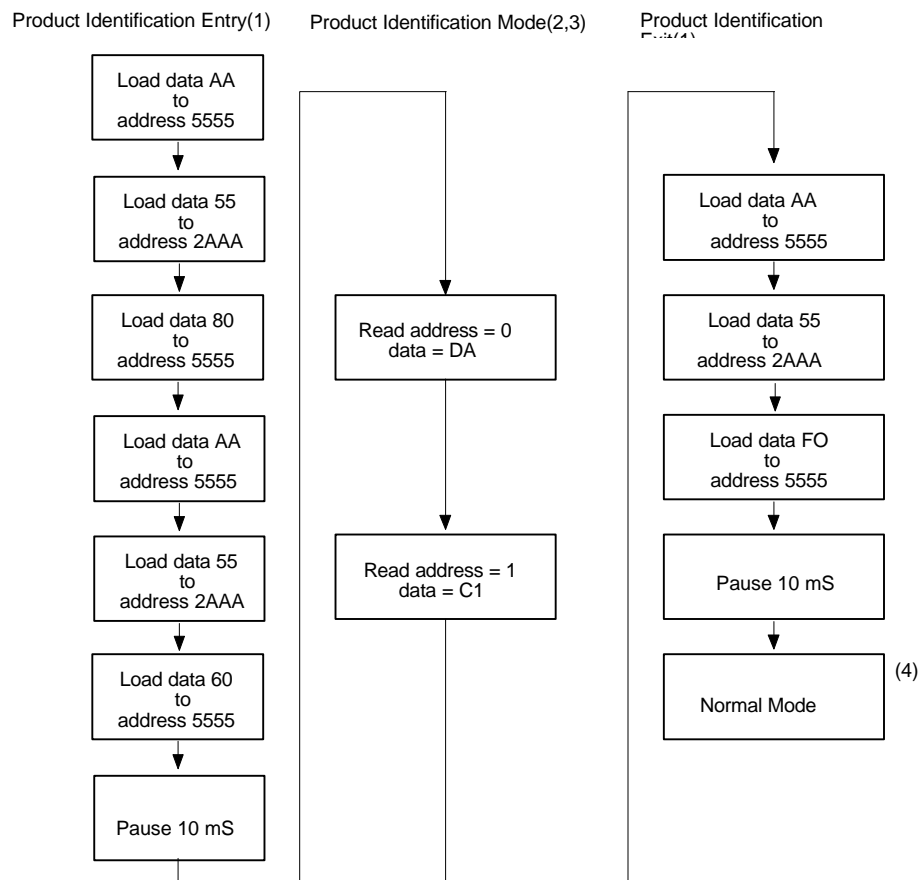
Notes for software chip erase:  
 Data Format: DQ7–DQ0 (Hex)  
 Address Format: A14–A0 (Hex)



## Command Codes for Product Identification

BYTE SEQUENCE	ALTERNATE PRODUCT (5) IDENTIFICATION ENTRY		SOFTWARE PRODUCT IDENTIFICATION ENTRY		SOFTWARE PRODUCT IDENTIFICATION EXIT	
	ADDRESS	DATA	ADDRESS	DATA	ADDRESS	DATA
0 Write	5555	AA	5555H	AAH	5555H	AAH
1 Write	2AAA	55	2AAAH	55H	2AAAH	55H
2 Write	5555	90	5555H	80H	5555H	F0H
3 Write	-	-	5555H	AAH	-	-
4 Write	-	-	2AAAH	55H	-	-
5 Write	-	-	5555H	60H	-	-
	Pause 10 mS		Pause 10 mS		Pause 10 mS	

## Software Product Identification Acquisition Flow



Notes for software product identification:

- (1) Data format: DQ7–DQ0 (Hex); address format: A14–A0 (Hex).
- (2) A1–A16 = V<sub>IL</sub>; manufacture code is read for A0 = V<sub>IL</sub>; device code is read for A0 = V<sub>IH</sub>.
- (3) The device does not remain in identification mode if power down.
- (4) The device returns to standard operation mode.
- (5) This product supports both the JEDEC standard 3 byte command code sequence and original 6 byte command code sequence. For new designs, Winbond recommends that the 3 byte command code sequence be used.



**W29C010****DC CHARACTERISTICS****Absolute Maximum Ratings**

PARAMETER	RATING	UNIT
Power Supply Voltage to Vss Potential	-0.5 to +7.0	V
Operating Temperature	0 to +70	°C
Storage Temperature	-65 to +150	°C
D.C. Voltage on Any Pin to Ground Potential Except A9	-0.5 to VDD +1.0	V
Transient Voltage (<20 nS ) on Any Pin to Ground Potential	-1.0 to VDD +1.0	V
Voltage on A9 and $\overline{OE}$ Pin to Ground Potential	-0.5 to 12.5	V

Note: Exposure to conditions beyond those listed under Absolute Maximum Ratings may adversely affect the life and reliability of the device.

**Operating Characteristics**

(VDD = 5.0V ±10%, VSS = 0V, TA = 0 to 70° C)

PARAMETER	SYM.	TEST CONDITIONS	LIMITS			UNIT
			MIN.	TYP.	MAX.	
Power Supply Current	ICC	$\overline{CE} = \overline{OE} = V_{IL}$ , $\overline{WE} = V_{IH}$ , all DQs open Address inputs = $V_{IL}/V_{IH}$ , at f = 5 MHz	-	-	50	mA
Standby VDD Current (TTL input)	ISB1	$\overline{CE} = V_{IH}$ , all DQs open Other inputs = $V_{IL}/V_{IH}$	-	2	3	mA
Standby VDD Current (CMOS input)	ISB2	$\overline{CE} = V_{DD} - 0.3V$ , all DQs open	-	20	100	μA
Input Leakage Current	ILI	VIN = GND to VDD	-	-	10	μA
Output Leakage Current	ILO	VIN = GND to VDD	-	-	10	μA
Input Low Voltage	VIL	-	-	-	0.8	V
Input High Voltage	VIH	-	2.0	-	-	V
Output Low Voltage	VOL	IOI = 2.0 mA	-	-	0.45	V
Output High Voltage	VOH1	IOH = -400 μA	2.4	-	-	V
Output High Voltage CMOS	VOH2	IOH = -100 μA; Vcc = 4.5V	4.2	-	-	V

**W29C010****Power-up Timing**

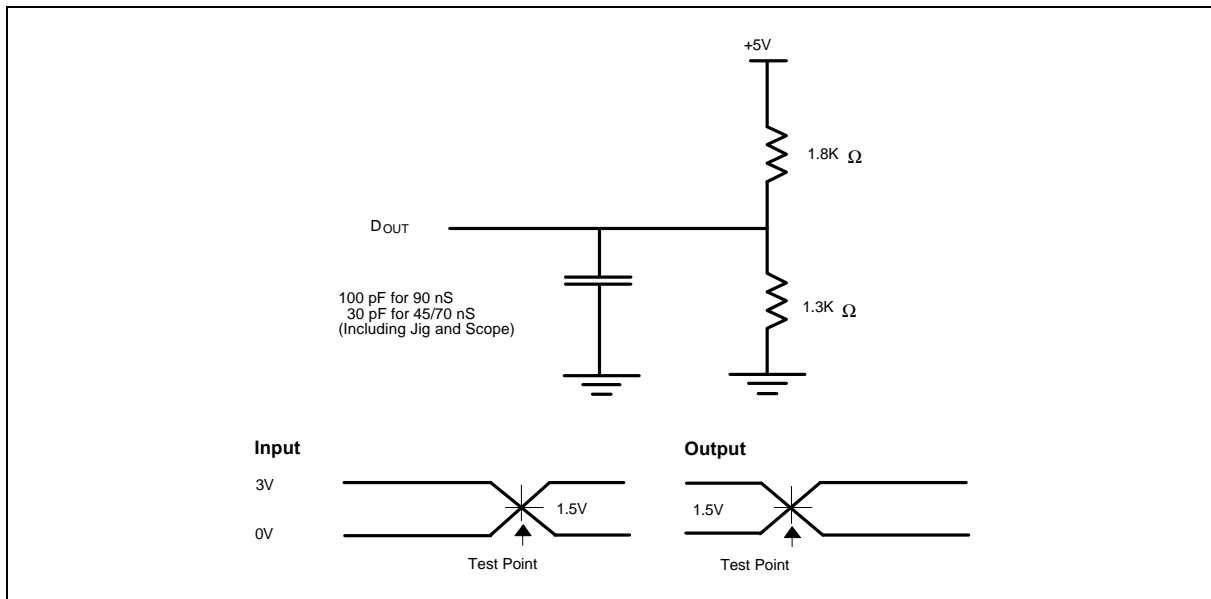
PARAMETER	SYMBOL	TYPICAL	UNIT
Power-up to Read Operation	TPU.READ	100	$\mu$ S
Power-up to Write Operation	TPU.WRITE	5	mS

**CAPACITANCE**(V<sub>DD</sub> = 5.0V, T<sub>A</sub> = 25° C, f = 1 MHz)

PARAMETER	SYMBOL	CONDITIONS	MAX.	UNIT
I/O Pin Capacitance	C <sub>I/O</sub>	V <sub>I/O</sub> = 0V	12	pF
Input Capacitance	C <sub>IN</sub>	V <sub>IN</sub> = 0V	6	pF

**AC CHARACTERISTICS****AC Test Conditions**(V<sub>DD</sub> = 5.0V  $\pm$ 10% for 90 nS; V<sub>DD</sub> = 5.0V  $\pm$ 5% for 45 nS and 70 nS)

PARAMETER	CONDITIONS
Input Pulse Levels	0V to 3V
Input Rise/Fall Time	< 5 nS
Input/Output Timing Level	1.5V/1.5V
Output Load	1 TTL Gate and C <sub>L</sub> = 100 pF for 90 nS C <sub>L</sub> = 30 pF for 45/70 nS

**AC Test Load and Waveform**

**W29C010**

AC Characteristics, continued

**Read Cycle Timing Parameters**(V<sub>DD</sub> = 5.0V ±10% for 90 nS; V<sub>DD</sub> = 5.0V ±5% for 45 nS and 70 nS, V<sub>SS</sub> = 0V, T<sub>A</sub> = 0 to 70° C)

PARAMETER	SYM.	W29C010-45		W29C010-70		W29C010-90		UNIT
		MIN.	MAX.	MIN.	MAX.	MIN.	MAX.	
Read Cycle Time	TRC	45	-	70	-	90	-	nS
Chip Enable Access Time	TCE	-	45	-	70	-	90	nS
Address Access Time	TAA	-	45	-	70	-	90	nS
Output Enable Access Time	TOE	-	20	-	35	-	40	nS
$\overline{\text{CE}}$ High to High-Z Output	TCHZ	-	20	-	25	-	25	nS
$\overline{\text{OE}}$ High to High-Z Output	TOHZ	-	20	-	25	-	25	nS
Output Hold from Address change	TOH	0	-	0	-	0	-	nS

**Byte/Page-write Cycle Timing Parameters**

PARAMETER	SYMBOL	MIN.	TYP.	MAX.	UNIT
Write Cycle (erase and program)	TWC	-	-	10	mS
Address Setup Time	TAS	0	-	-	nS
Address Hold Time	TAH	50	-	-	nS
$\overline{\text{WE}}$ and $\overline{\text{CE}}$ Setup Time	TCS	0	-	-	nS
$\overline{\text{WE}}$ and $\overline{\text{CE}}$ Hold Time	TCH	0	-	-	nS
$\overline{\text{OE}}$ High Setup Time	TOES	0	-	-	nS
$\overline{\text{OE}}$ High Hold Time	TOEH	0	-	-	nS
$\overline{\text{CE}}$ Pulse Width	TCP	70	-	-	nS
$\overline{\text{WE}}$ Pulse Width	TWP	70	-	-	nS
$\overline{\text{WE}}$ High Width	TWPH	100	-	-	nS
Data Setup Time	TDS	50	-	-	nS
Data Hold Time	TDH	0	-	-	nS
Byte Load Cycle Time	TBLC	-	-	150	μS

Note: All AC timing signals observe the following guideline for determining setup and hold times:  
Reference level is V<sub>IH</sub> for high-level signal and V<sub>IL</sub> for low-level signal.

Publication Release Date: April 1997

Revision A1

**W29C010**

AC Characteristics, continued

**DATA Polling Characteristics (1)**

PARAMETER	SYMBOL	MIN.	TYP.	MAX.	UNIT
Data Hold Time	T <sub>DH</sub>	10	-	-	nS
$\overline{\text{OE}}$ Hold Time	T <sub>OE H</sub>	10	-	-	nS
$\overline{\text{OE}}$ to Output Delay (2)	T <sub>OE</sub>	-	-	-	nS
Write Recovery Time	T <sub>WR</sub>	0	-	-	nS

Notes:

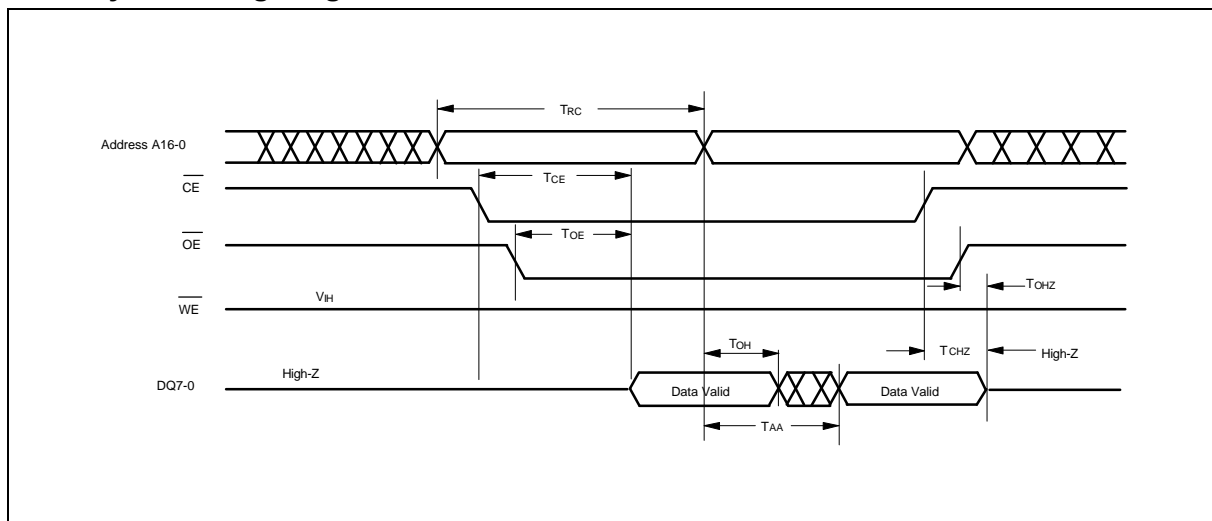
- (1) These parameters are characterized and not 100% tested.  
 (2) See T<sub>OE</sub> spec in A.C. Read Cycle Timing Parameters.

**Toggle Bit Characteristics (1)**

PARAMETER	SYMBOL	MIN.	TYP.	MAX.	UNIT
Data Hold Time	T <sub>DH</sub>	10	-	-	nS
$\overline{\text{OE}}$ Hold Time	T <sub>OE H</sub>	10	-	-	nS
$\overline{\text{OE}}$ to Output Delay (2)	T <sub>OE</sub>	-	-	-	nS
$\overline{\text{OE}}$ High Pulse	T <sub>OEHP</sub>	150	-	-	nS
Write Recovery Time	T <sub>WR</sub>	0	-	-	nS

Notes:

- (1) These parameters are characterized and not 100% tested.  
 (2) See T<sub>OE</sub> spec in A.C. Read Cycle Timing Parameters.

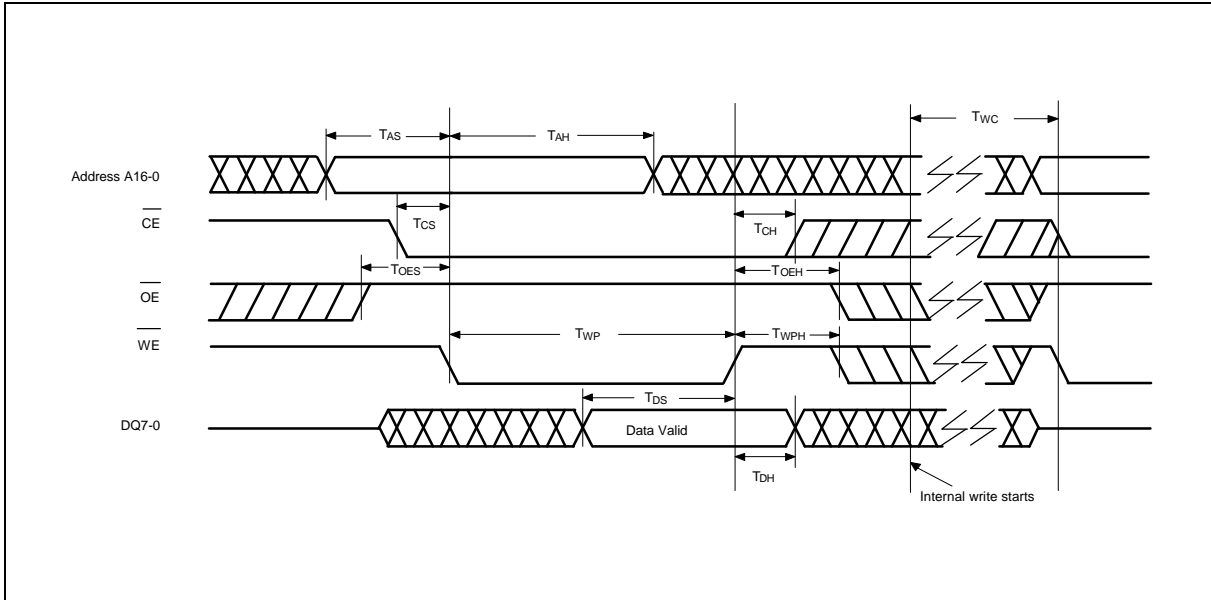
**TIMING WAVEFORMS****Read Cycle Timing Diagram**

# W29C010

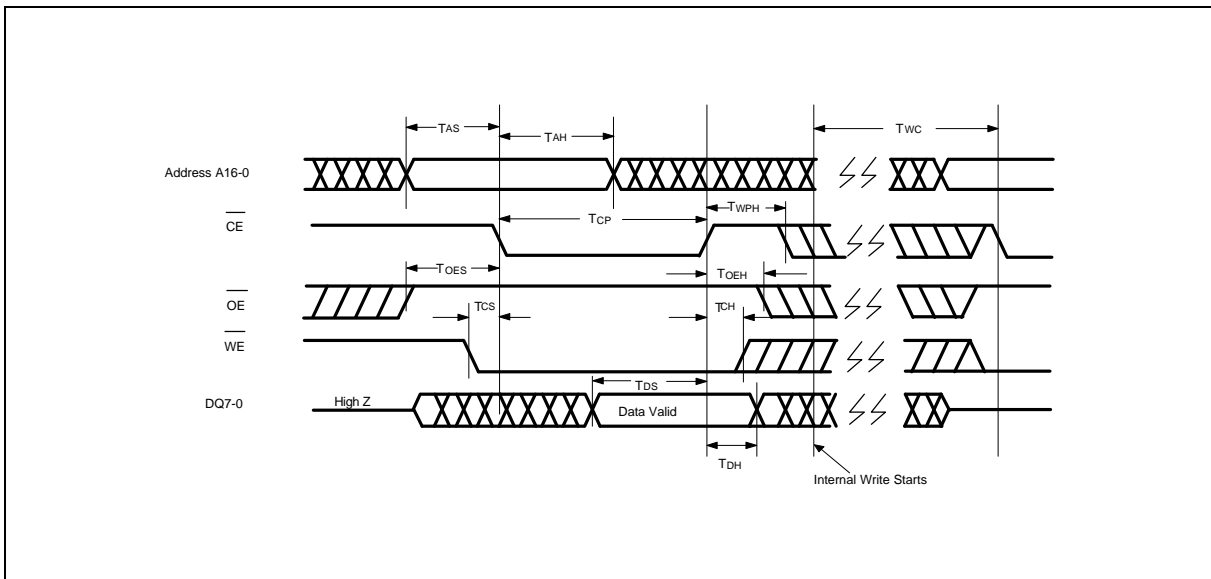


Timing Waveforms, continued

## WE Controlled Write Cycle Timing Diagram



## CE Controlled Write Cycle Timing Diagram

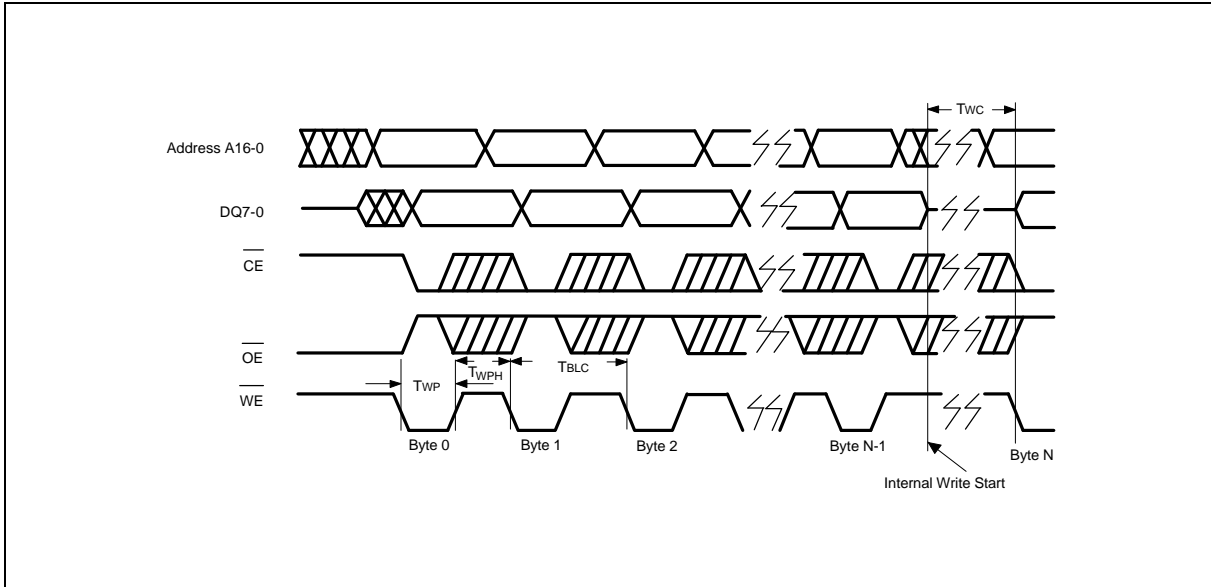


# W29C010

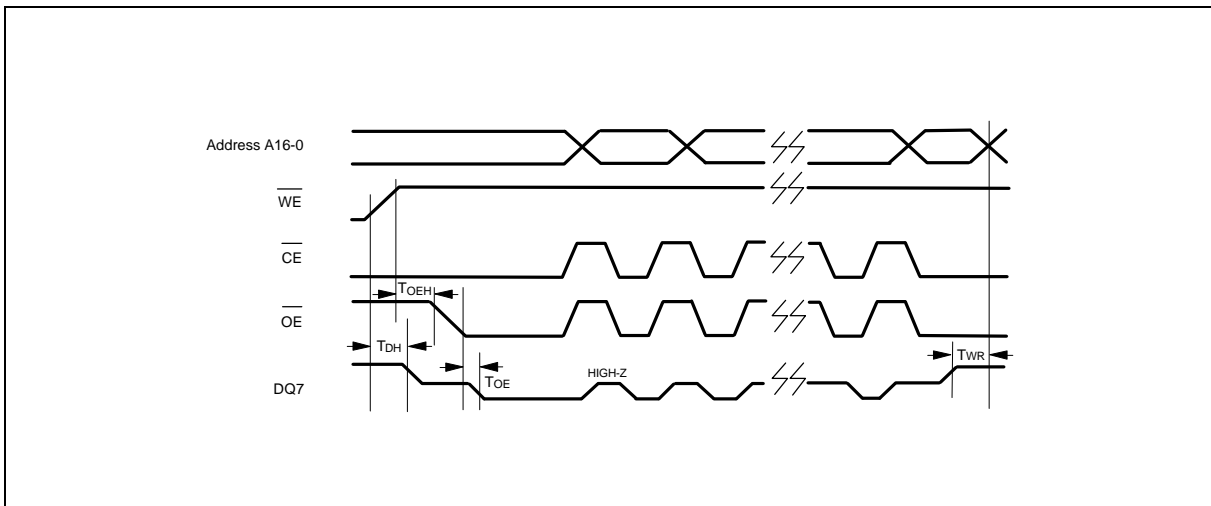


Timing Waveforms, continued

## Page Write Cycle Timing Diagram



## DATA Polling Timing Diagram

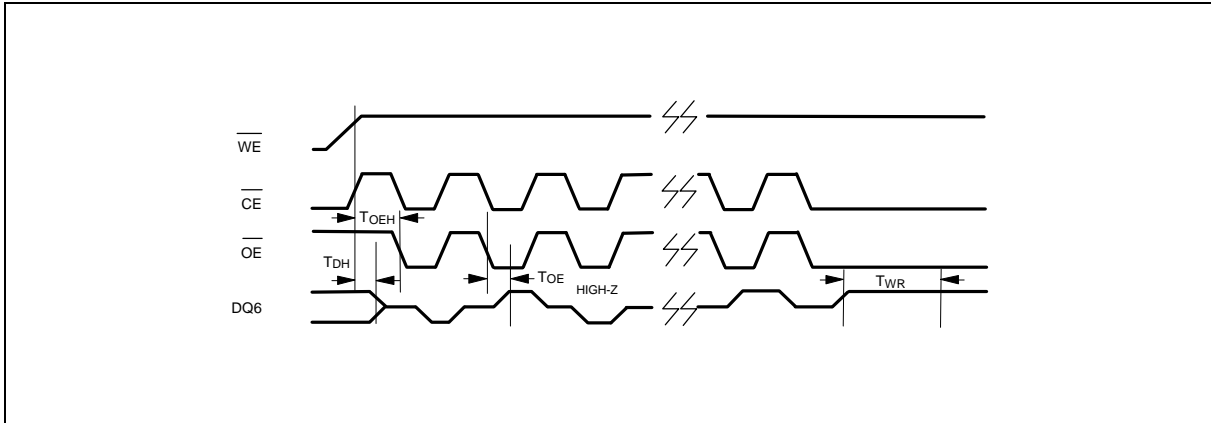


# W29C010

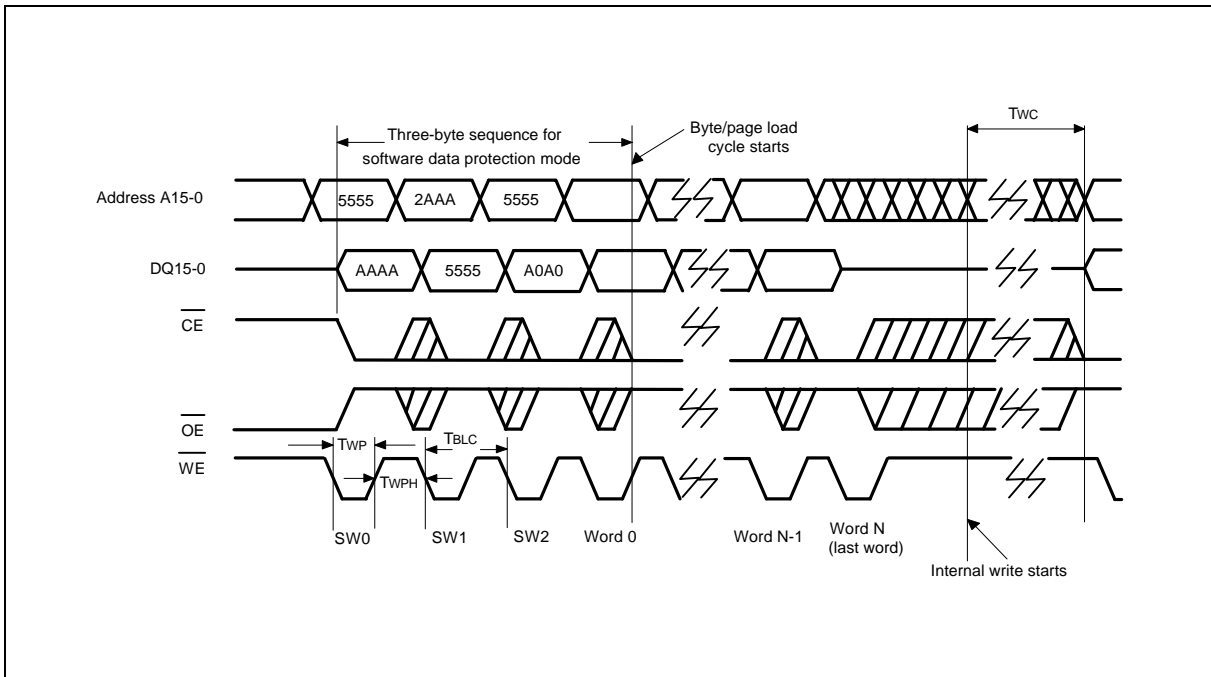


Timing Waveforms, continued

## Toggle Bit Timing Diagram



## Page Write Timing Diagram Software Data Protection Mode

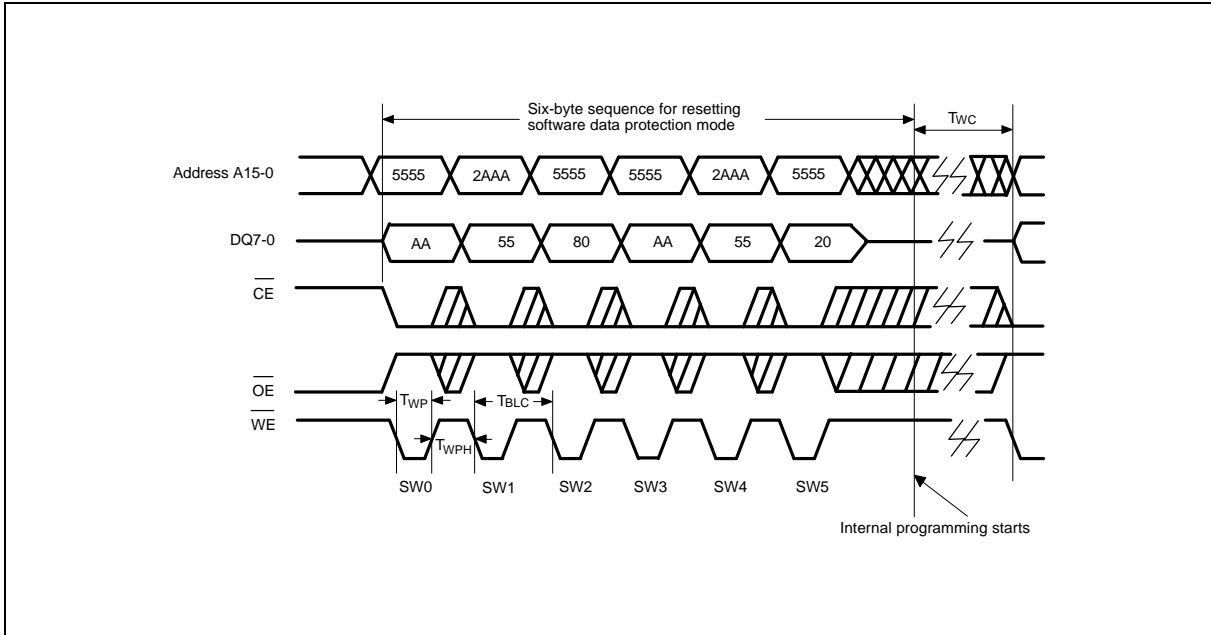


# W29C010

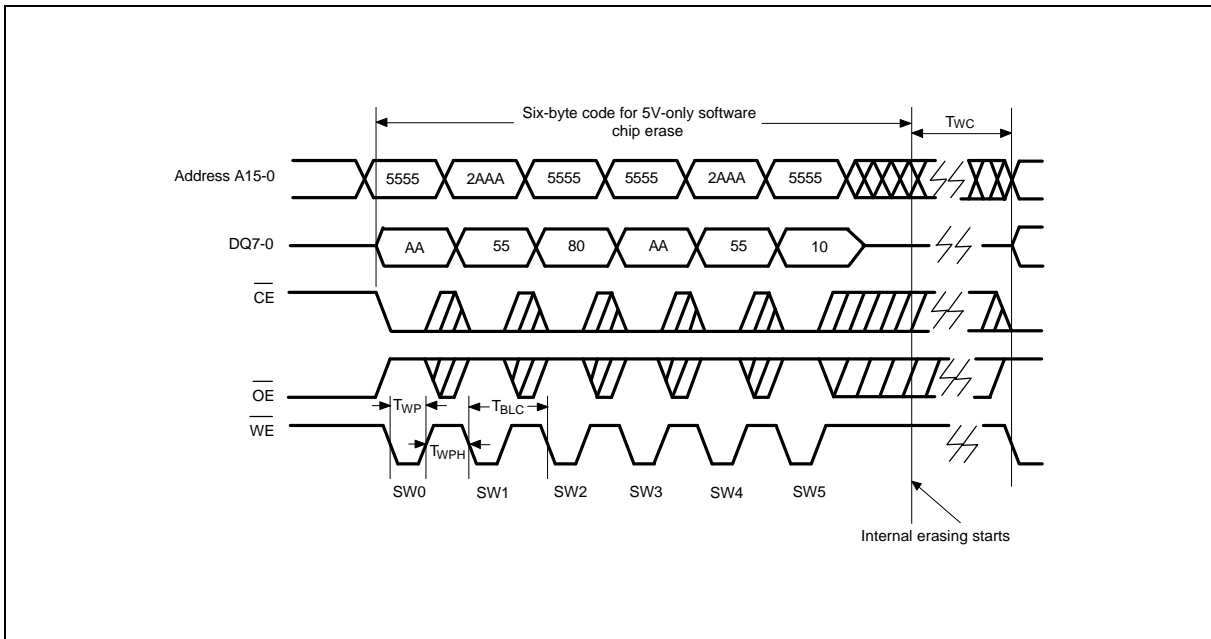


Timing Waveforms, continued

## Reset Software Data Protection Timing Diagram



## Software Chip Erase Timing Diagram





**W29C010****ORDERING INFORMATION**

PART NO.	ACCESS TIME (nS)	POWER SUPPLY CURRENT MAX. (mA)	STANDBY V <sub>DD</sub> CURRENT MAX. (μA)	PACKAGE	CYCLING
W29C010-45	45	50	100	600 mil DIP	1K
W29C010-70	70	50	100	600 mil DIP	1K
W29C010-90	90	50	100	600 mil DIP	1K
W29C010S-45	45	50	100	450 mil SOP	1K
W29C010S-70	70	50	100	450 mil SOP	1K
W29C010S-90	90	50	100	450 mil SOP	1K
W29C010P-45	45	50	100	32-pin PLCC	1K
W29C010P-70	70	50	100	32-pin PLCC	1K
W29C010P-90	90	50	100	32-pin PLCC	1K
W29C010-45B	45	50	100	600 mil DIP	10K
W29C010-70B	70	50	100	600 mil DIP	10K
W29C010-90B	90	50	100	600 mil DIP	10K
W29C010S-45B	45	50	100	450 mil SOP	10K
W29C010S-70B	70	50	100	450 mil SOP	10K
W29C010S-90B	90	50	100	450 mil SOP	10K
W29C010P-45B	45	50	100	32-pin PLCC	10K
W29C010P-70B	70	50	100	32-pin PLCC	10K
W29C010P-90B	90	50	100	32-pin PLCC	10K

## Notes:

1. Winbond reserves the right to make changes to its products without prior notice.
2. Purchasers are responsible for performing appropriate quality assurance testing on products intended for use in applications where personal injury might occur as a consequence of product failure.

# W29C010



## PACKAGE DIMENSIONS

### 32-pin P-DIP

Symbol	Dimension in Inches			Dimension in mm		
	Min.	Nom.	Max.	Min.	Nom.	Max.
<b>A</b>	—	—	0.210	—	—	5.33
<b>A<sub>1</sub></b>	0.010	—	—	0.25	—	—
<b>A<sub>2</sub></b>	0.150	0.155	0.160	3.81	3.94	4.06
<b>B</b>	0.016	0.018	0.022	0.41	0.46	0.56
<b>B<sub>1</sub></b>	0.048	0.050	0.054	1.22	1.27	1.37
<b>c</b>	0.008	0.010	0.014	0.20	0.25	0.36
<b>D</b>	—	1.650	1.660	—	41.91	42.16
<b>E</b>	0.590	0.600	0.610	14.99	15.24	15.49
<b>E<sub>1</sub></b>	0.545	0.550	0.555	13.84	13.97	14.10
<b>e<sub>1</sub></b>	0.090	0.100	0.110	2.29	2.54	2.79
<b>L</b>	0.120	0.130	0.140	3.05	3.30	3.56
<b>a</b>	0	—	15	0	—	15
<b>e<sub>A</sub></b>	0.630	0.650	0.670	16.00	16.51	17.02
<b>S</b>	—	—	0.085	—	—	2.16

Notes:

- Dimensions D Max. & S include mold flash or tie bar burrs.
- Dimension E1 does not include interlead flash.
- Dimensions D & E1 include mold mismatch and are determined at the mold parting line.
- Dimension B1 does not include dambar protrusion/intrusion.
- Controlling dimension: Inches.
- General appearance spec. should be based on final visual inspection spec.

### 32-pin SO Wide Body

Symbol	Dimension in Inches			Dimension in mm		
	Min.	Nom.	Max.	Min.	Nom.	Max.
<b>A</b>	—	—	0.118	—	—	3.00
<b>A<sub>1</sub></b>	0.004	—	—	0.10	—	—
<b>A<sub>2</sub></b>	0.101	0.106	0.111	2.57	2.69	2.82
<b>b</b>	0.014	0.016	0.020	0.36	0.41	0.51
<b>c</b>	0.006	0.008	0.012	0.15	0.20	0.31
<b>D</b>	—	0.805	0.817	—	20.45	20.75
<b>E</b>	0.440	0.445	0.450	11.18	11.30	11.43
<b>e</b>	0.044	0.050	0.056	1.12	1.27	1.42
<b>E<sub>1</sub></b>	0.546	0.556	0.556	13.87	14.12	14.38
<b>L</b>	0.023	0.031	0.039	0.58	0.79	0.99
<b>L<sub>1</sub></b>	0.047	0.055	0.063	1.19	1.40	1.60
<b>S</b>	—	—	0.036	—	—	0.91
<b>y</b>	—	—	0.004	—	—	0.10
<b>Q</b>	0*	—	10*	0*	—	10*

Notes:

- Dimensions D Max. & S include mold flash or tie bar burrs.
- Dimension b does not include dambar protrusion/intrusion.
- Dimensions D & E include mold mismatch and determined at the mold parting line.
- Controlling dimension: Inches.
- General appearance spec should be based on final visual inspection spec.

# W29C010



Package Dimensions, continued

## 32-pin PLCC

Symbol	Dimension in Inches			Dimension in mm		
	Min.	Nom.	Max.	Min.	Nom.	Max.
<b>A</b>	—	—	0.140	—	—	3.56
<b>A<sub>1</sub></b>	0.020	—	—	0.50	—	—
<b>A<sub>2</sub></b>	0.105	0.110	0.115	2.67	2.80	2.93
<b>b<sub>1</sub></b>	0.026	0.028	0.032	0.66	0.71	0.81
<b>b</b>	0.016	0.018	0.022	0.41	0.46	0.56
<b>c</b>	0.008	0.010	0.014	0.20	0.25	0.35
<b>D</b>	0.547	0.550	0.553	13.89	13.97	14.05
<b>E</b>	0.447	0.450	0.453	11.35	11.43	11.51
<b>G</b>	0.044	0.050	0.056	1.12	1.27	1.42
<b>G<sub>D</sub></b>	0.490	0.510	0.530	12.45	12.95	13.46
<b>G<sub>E</sub></b>	0.390	0.410	0.430	9.91	10.41	10.92
<b>H<sub>D</sub></b>	0.585	0.590	0.595	14.86	14.99	15.11
<b>H<sub>E</sub></b>	0.485	0.490	0.495	12.32	12.45	12.57
<b>L</b>	0.075	0.090	0.095	1.91	2.29	2.41
<b>y</b>	—	—	0.004	—	—	0.10
<b>q</b>	0"	—	10"	0"	—	10"

Notes:

- Dimensions D & E do not include interlead flash.
- Dimension b<sub>1</sub> does not include dambar protrusion/intrusion.
- Controlling dimension: Inches.
- General appearance spec. should be based on final visual inspection sepc.

## 32-pin TSOP

Symbol	Dimension in Inches			Dimension in mm		
	Min.	Nom.	Max.	Min.	Nom.	Max.
<b>A</b>	—	—	0.047	—	—	1.20
<b>A<sub>1</sub></b>	0.002	—	0.006	0.05	—	0.15
<b>A<sub>2</sub></b>	0.037	0.039	0.041	0.95	1.00	1.05
<b>b</b>	0.007	0.008	0.009	0.17	0.20	0.23
<b>c</b>	0.005	0.006	0.007	0.12	0.15	0.17
<b>D</b>	0.720	0.724	0.728	18.30	18.40	18.50
<b>E</b>	0.311	0.315	0.319	7.90	8.00	8.10
<b>H<sub>D</sub></b>	0.780	0.787	0.795	19.80	20.00	20.20
<b>e</b>	—	0.020	—	—	0.50	—
<b>L</b>	0.016	0.020	0.024	0.40	0.50	0.60
<b>L<sub>1</sub></b>	—	0.031	—	—	0.80	—
<b>Y</b>	0.000	—	0.004	0.00	—	0.10
<b>q</b>	1	3	5	1	3	5

Note:

Controlling dimension: Millimeters

Publication Release Date: April 1997  
Revision A1

# W29C010



#### Headquarters

No. 4, Creation Rd. III,  
Science-Based Industrial Park,  
Hsinchu, Taiwan  
TEL: 886-3-5770066  
FAX: 886-3-5792647  
<http://www.winbond.com.tw/>  
Voice & Fax-on-demand: 886-2-7197006

#### Taipei Office

11F, No. 115, Sec. 3, Min-Sheng East Rd.,  
Taipei, Taiwan  
TEL: 886-2-7190505  
FAX: 886-2-7197502

#### Winbond Electronics (H.K.) Ltd.

Rm. 803, World Trade Square, Tower II,  
123 Hoi Bun Rd., Kwun Tong,  
Kowloon, Hong Kong  
TEL: 852-27513100  
FAX: 852-27552064

#### Winbond Electronics North America Corp.

**Winbond Memory Lab.**  
**Winbond Microelectronics Corp.**  
**Winbond Systems Lab.**  
2727 N. First Street, San Jose,  
CA 95134, U.S.A.  
TEL: 1-408-9436666  
FAX: 1-408-5441798

Note: All data and specifications are subject to change without notice.