

PLEASE CHECK WWW.MOLEX.COM FOR LATEST PART INFORMATION

Part Number: [0398800402](#)
Status: **Active**
Description: 5.08mm (.200") Pitch Beau™ Eurostyle™ Low Profile, Fixed Block, 35° Wire Entry, Modular, 2 Circuits

Documents:

[3D Model](#)
[Drawing \(PDF\)](#)

[RoHS Certificate of Compliance \(PDF\)](#)

General

| | |
|-----------------------------|------------------------|
| Product Family | Terminal Blocks |
| Series | 39880 |
| Application | Wire-to-Board |
| Component Type | One Piece |
| Product Literature Order No | USA-260 |
| Product Name | Eurostyle™ Fixed Mount |
| Type | Euro Block |

Physical

| | |
|--------------------------------|--|
| Circuits (Loaded) | 2 |
| Entry Angle | 35° Angle |
| Flammability | 94V-0 |
| Lock to Mating Part | None |
| Number of Rows | 1 |
| Orientation | Vertical |
| PC Tail Length (in) | 0.150 In |
| PC Tail Length (mm) | 3.80 mm |
| PCB Retention | None |
| PCB Thickness Recommended (in) | 0.102 In |
| PCB Thickness Recommended (mm) | 2.60 mm |
| Panel Mount | No |
| Pitch - Mating Interface (in) | 0.200 In |
| Pitch - Mating Interface (mm) | 5.08 mm |
| Pitch - Term. Interface (in) | 0.200 In |
| Pitch - Term. Interface (mm) | 5.08 mm |
| Polarized to Mating Part | N/A |
| Shrouded | Fully |
| Stackable | Yes |
| Temperature Range - Operating | 105°C |
| Wire Size AWG | 12, 14, 16, 18, 20, 22, 24, 26, 28, 30 |
| Wire Size mm² | 0.05 - 2.50 |

Electrical

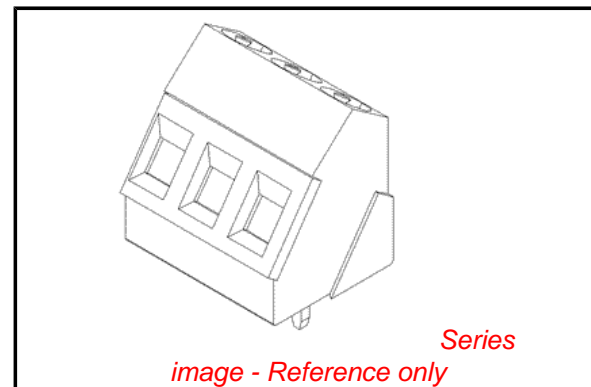
| | |
|-------------------------------|--------|
| Current - Maximum per Contact | 17.5A |
| UL | E48521 |
| Voltage - Maximum | 300V |

Material Info

| | |
|-----------------|--------|
| Old Part Number | 880202 |
|-----------------|--------|

Reference - Drawing Numbers

| | |
|---------------|--------------|
| Sales Drawing | SD-39880-004 |
|---------------|--------------|



EU RoHS

ELV and RoHS Compliant
REACH SVHC
 Not Reviewed
Halogen-Free Status

China RoHS



Not Reviewed

Need more information on product environmental compliance?

Email productcompliance@molex.com
 For a multiple part number RoHS Certificate of Compliance, [click here](#)

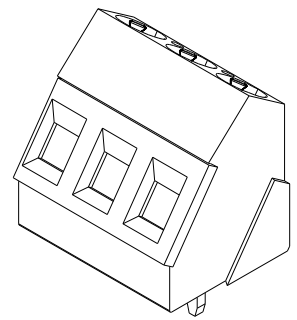
Please visit the [Contact Us](#) section for any non-product compliance questions.

Search Parts in this Series

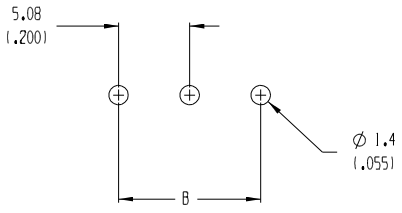
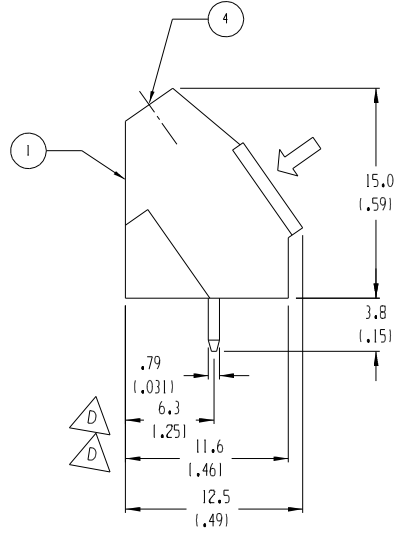
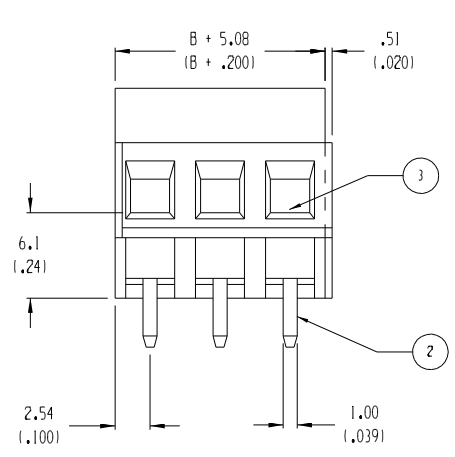
[39880Series](#)

Mates With

N/A



| MATERIAL NO. | NO. OF CIRCUITS | ENG NO. (BEAU NO.) | DIM. "B" | |
|--------------|-----------------|--------------------|----------|-------|
| | "XX" | | IN. | MM |
| 39880-04XX | "XX" | 8802XX | | |
| 39880-0402 | 02 | 880202 | .20 | 5.1 |
| 39880-0403 | 03 | 880203 | .40 | 10.2 |
| 39880-0404 | 04 | 880204 | .60 | 15.2 |
| 39880-0405 | 05 | 880205 | .80 | 20.3 |
| 39880-0406 | 06 | 880206 | 1.00 | 25.4 |
| 39880-0407 | 07 | 880207 | 1.20 | 30.5 |
| 39880-0408 | 08 | 880208 | 1.40 | 35.6 |
| 39880-0409 | 09 | 880209 | 1.60 | 40.6 |
| 39880-0410 | 10 | 880210 | 1.80 | 45.7 |
| 39880-0411 | 11 | 880211 | 2.00 | 50.8 |
| 39880-0412 | 12 | 880212 | 2.20 | 55.9 |
| 39880-0413 | 13 | 880213 | 2.40 | 61.0 |
| 39880-0414 | 14 | 880214 | 2.60 | 66.0 |
| 39880-0415 | 15 | 880215 | 2.80 | 71.1 |
| 39880-0416 | 16 | 880216 | 3.00 | 76.2 |
| 39880-0417 | 17 | 880217 | 3.20 | 81.3 |
| 39880-0418 | 18 | 880218 | 3.40 | 86.4 |
| 39880-0419 | 19 | 880219 | 3.60 | 91.4 |
| 39880-0420 | 20 | 880220 | 3.80 | 96.5 |
| 39880-0421 | 21 | 880221 | 4.00 | 101.6 |
| 39880-0422 | 22 | 880222 | 4.20 | 106.7 |
| 39880-0423 | 23 | 880223 | 4.40 | 111.8 |
| 39880-0424 | 24 | 880224 | 4.60 | 116.8 |
| 39880-0425 | 25 | 880225 | 4.80 | 121.9 |



| ITEM | QTY. | DESCRIPTION | MATERIAL | FINISH |
|------|------|--------------|-----------|-------------|
| 4 | XX | SCREW, M3 | COPPER | NICKEL |
| 3 | XX | CAGE CLAMP | COPPER | NICKEL |
| 2 | XX | TERMINAL, PC | COPPER | HOT TIN DIP |
| 1 | 1 | INSULATOR | POLYAMIDE | BLACK |

EC NO. ECN# 3883
 DRWN: RK 10-20-04
 CH'K:
 APPR:

DESCRIPTION

MAJOR

CRITICAL

SPC

S

REV

| QUALITY SYMBOLS | |
|-----------------|----------|
| MAJOR | CRITICAL |
| SPC | S |

| GENERAL TOLERANCES: (UNLESS SPECIFIED) | |
|--|-------------|
| mm | INCH |
| 4 PLACES | ±.0015 |
| 3 PLACES | ±.038 ±.005 |
| 2 PLACES | ±.13 ±.01 |
| 1 PLACE | ±.3 |
| ANGULAR: ±2° | |

| SCALE | |
|--------------------|--|
| 3:1 | DESIGN UNITS |
| | <input type="checkbox"/> mm <input checked="" type="checkbox"/> INCH |
| DRAWN BY & DATE | |
| R. KEMP | 6-3-02 |
| CHECKED BY & DATE | |
| R. STONE | 6-3-02 |
| APPROVED BY & DATE | |
| P. WALTZ | 6-3-02 |
| CAD FILENAME | |
| 8802XX | |

| PROJECT NO. 04-124 | |
|--|------------------------------------|
| DIMENSIONS: | |
| <input checked="" type="checkbox"/> mm | <input type="checkbox"/> INCH |
| <input type="checkbox"/> mm ONLY | <input type="checkbox"/> INCH ONLY |
| SHT | REV |
| | REVISE ON CAD ONLY |

TITLE: 5.08mm EUROSTYLE MEDIUM, SINGLE ROW, 35° ANGLED ENTRY

| | | |
|--------------------|--------------|-----------|
| MOLEX INCORPORATED | | |
| MATERIAL NO. | DRAWING NO. | SHEET NO. |
| SEE CHART | SD-39880-004 | 1 OF 1 |

THIS DRAWING CONTAINS INFORMATION THAT IS PROPRIETARY TO MOLEX INCORPORATED AND SHOULD NOT BE USED WITHOUT WRITTEN PERMISSION.

