

**PLEASE CHECK WWW.MOLEX.COM FOR LATEST PART INFORMATION**

**Part Number:** [0398800906](#)  
**Status:** **Active**  
**Description:** 5.08mm (.200") Pitch Beau™ Eurostyle™ Medium Profile, Three Level Terminal Block, Modular, 6 Circuits

**Documents:**

[3D Model](#)  
[Drawing \(PDF\)](#)

[RoHS Certificate of Compliance \(PDF\)](#)

**Agency Certification**

UL E48521

**General**

Product Family	Terminal Blocks
Series	<a href="#">39880</a>
Application	Wire-to-Board
Component Type	One Piece
Product Literature Order No	USA-263
Product Name	Eurostyle™ Multi-Level
Type	Euro Block

**Physical**

Circuits (Loaded)	6
Entry Angle	Horizontal
Flammability	94V-0
Lock to Mating Part	None
Number of Rows	3
Orientation	Vertical
PC Tail Length (in)	0.150 In
PC Tail Length (mm)	3.80 mm
PCB Retention	None
PCB Thickness Recommended (in)	0.102 In
PCB Thickness Recommended (mm)	2.60 mm
Panel Mount	No
Pitch - Mating Interface (in)	0.200 In
Pitch - Mating Interface (mm)	5.08 mm
Pitch - Term. Interface (in)	0.200 In
Pitch - Term. Interface (mm)	5.08 mm
Polarized to Mating Part	N/A
Shrouded	Fully
Stackable	Yes
Temperature Range - Operating	110°C
Wire Size AWG	12, 14, 16, 18, 20, 22, 24, 26, 28, 30
Wire Size mm²	0.05 - 2.50

**Electrical**

Current - Maximum per Contact	17.5A
Voltage - Maximum	300V

**Solder Process Data**

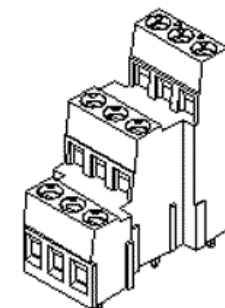
Lead-free Process Capability Wave Capable (TH only)

**Material Info**

Old Part Number 883206

**Reference - Drawing Numbers**

Sales Drawing SD-39880-009



*Series*  
*image - Reference only*

**EU RoHS**

**ELV and RoHS**  
**Compliant**  
**REACH SVHC**  
 Not Reviewed  
**Halogen-Free**  
**Status**  
**Not Reviewed**

**China RoHS**



**Need more information on product environmental compliance?**

Email [productcompliance@molex.com](mailto:productcompliance@molex.com)  
 For a multiple part number RoHS Certificate of Compliance, [click here](#)

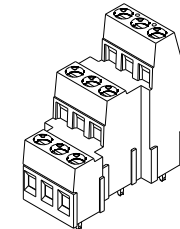
Please visit the [Contact Us](#) section for any non-product compliance questions.

**Search Parts in this Series**

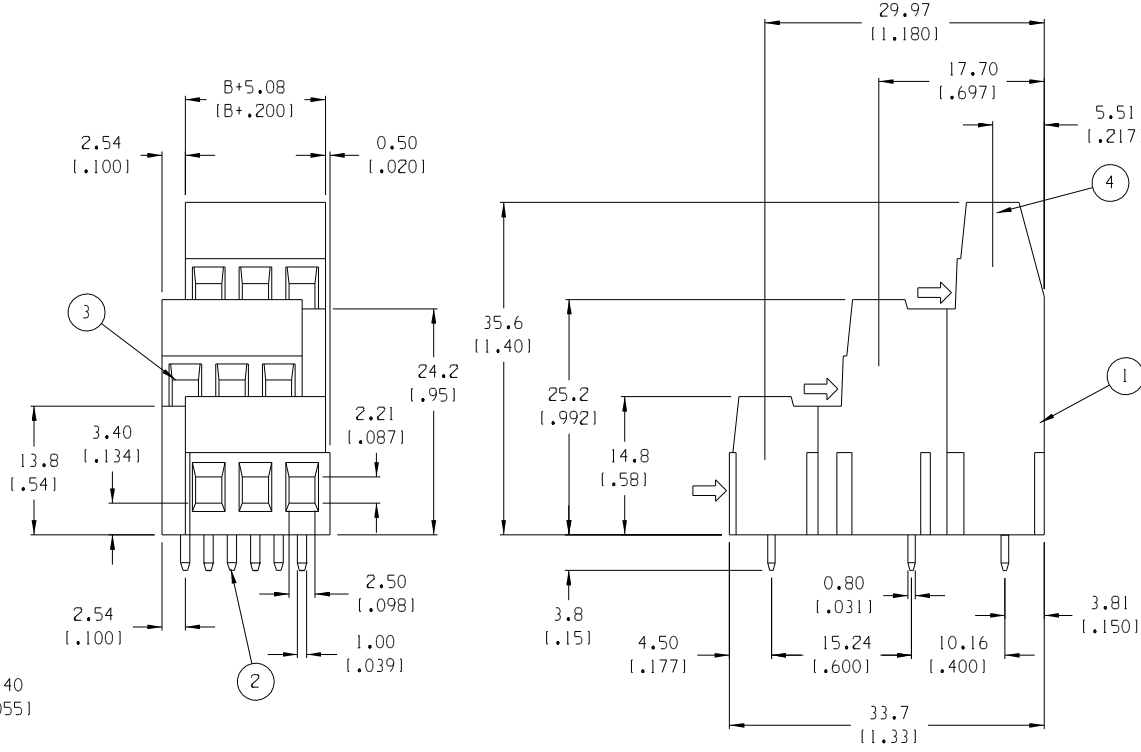
[39880Series](#)

This document was generated on 04/26/2010

**PLEASE CHECK [WWW.MOLEX.COM](http://WWW.MOLEX.COM) FOR LATEST PART INFORMATION**

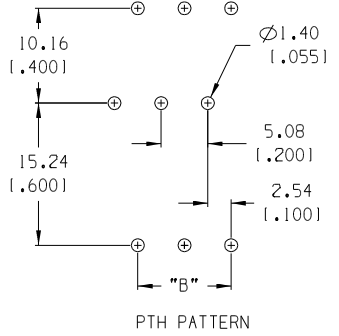


AUX. VIEW  
SCALE 1:1  
9 CIRCUIT SHOWN



NO. OF CIRCUITS "XX"	DIM. "B"	MATERIAL NO.
06	5.08 [1.200]	39880-0906
09	10.16 [1.400]	39880-0909
12	15.24 [1.600]	39880-0912
15	20.32 [1.800]	39880-0915
18	25.40 [1.000]	39880-0918
21	30.48 [1.200]	39880-0921
24	35.56 [1.400]	39880-0924
27	40.64 [1.600]	39880-0927
30	45.72 [1.800]	39880-0930
33	50.80 [2.000]	39880-0933
36	55.88 [2.200]	39880-0936
39	60.96 [2.400]	39880-0939
42	66.04 [2.600]	39880-0942
45	71.12 [2.800]	39880-0945
48	76.20 [3.000]	39880-0948
51	81.28 [3.200]	39880-0951
54	86.36 [3.400]	39880-0954
57	91.44 [3.600]	39880-0957
60	96.52 [3.800]	39880-0960
63	101.60 [4.000]	39880-0963
66	106.68 [4.200]	39880-0966
69	111.76 [4.400]	39880-0969
72	116.84 [4.600]	39880-0972

- NOTES:
1. MATERIAL: SEE TABLE
  2. FINISHES: SEE TABLE
  3. PRODUCT SPECIFICATION: NOT REQUIRED
  4. PACKAGING: NOT REQUIRED
  5. MATES WITH: NONE
  6. "XX" REFERS TO THE QUANTITY OF CIRCUITS.



PROJECT NO. N/A		SHT	REV
DIMENSIONS:		REVISE ON CAD ONLY	
<input type="checkbox"/> mm	<input checked="" type="checkbox"/> INCH	<input type="checkbox"/> mm ONLY	

ITEM	QTY.	DESCRIPTION	MATERIAL	FINISH
4	XX	SCREW, M3	BRONZE	NICKEL
3	XX	CAGE CLAMP	BRASS	NICKEL
2	XX	TERMINAL	PHOSPHOR BRONZE	HOT TIN DIP
1	1	INSULATOR, 3 LEVEL	POLYAMIDE	BLACK

EC NO. ECN# 3963 DRWN: CY 12-23-04 CH'KT APPR:	QUALITY SYMBOLS MAJOR CRITICAL SPC S	GENERAL TOLERANCES: (UNLESS SPECIFIED) mm INCH 4 PLACES ±.0015 3 PLACES ±.038 ±.005 2 PLACES ±.13 ±.01 1 PLACE ±.3	SCALE 2:1 DESIGN UNITS <input type="checkbox"/> mm <input checked="" type="checkbox"/> INCH	DRAWN BY & DATE R. KEMP 12-4-01 CHECKED BY & DATE P. WALTZ 12-6-01 APPROVED BY & DATE L. ROTHBAUS 12-6-01	THIRD ANGLE PROJECTION TITLE: 5.08mm [1.200"] EUROSTYLE MID, THREE LEVEL FIXED BLOCK
		CAD FILENAME 8832XX.PRT	MATERIAL NO. SEE CHART	DRAWING NO. SD-39880-009	SHEET NO. 1 OF 1

THIS DRAWING CONTAINS INFORMATION THAT IS PROPRIETARY TO MOLEX INCORPORATED AND SHOULD NOT BE USED WITHOUT WRITTEN PERMISSION.

