

**PLEASE CHECK WWW.MOLEX.COM FOR LATEST PART INFORMATION**

**Part Number:** [0050361681](#)  
**Status:** **Active**  
**Overview:** [minifit\\_jr](#)  
**Description:** 4.20mm (.165") Pitch Mini-Fit Jr.™ Plug Housing, Dual Row, without Panel Mount Ears, PA Polyamide Nylon 6/6, UL 94V-0, 5 Circuits, Glow Wire Compatible

**Documents:**

[3D Model](#) [Product Specification PS-5556-001 \(PDF\)](#)  
[Drawing \(PDF\)](#) [RoHS Certificate of Compliance \(PDF\)](#)

**General**

Product Family	Crimp Housings
Series	<a href="#">5559</a>
Comments	Current = 13A max. per circuit when header is mated to a receptacle loaded with <a href="#">45750</a> series terminals crimped to 16 AWG wire. . See Molex product specification PS-45750-001 for additional current derating information.
Overview	<a href="#">minifit_jr</a>
Product Name	Mini-Fit Jr.™

**Physical**

Breakaway	No
Circuits (maximum)	5
Color - Resin	Black
Gender	Plug
Glow-Wire Compliant	Yes
Keying to Mating Part	None
Lock to Mating Part	Yes
Material - Resin	Nylon
Number of Rows	1
Packaging Type	Bag
Panel Mount	No
Pitch - Mating Interface (in)	0.165 In
Pitch - Mating Interface (mm)	4.20 mm
Pitch - Term. Interface (in)	0.165 In
Pitch - Term. Interface (mm)	4.20 mm
Polarized to Mating Part	Yes
Ports	1
Stackable	No
Temperature Range - Operating	-40°C to +105°C

**Electrical**

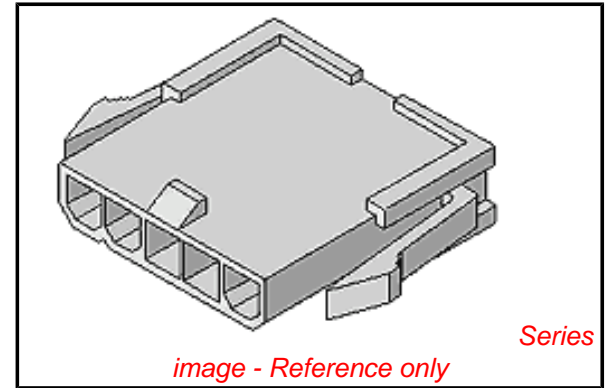
Current - Maximum per Contact	13A
-------------------------------	-----

**Material Info**

Old Part Number	5559-05P3-225
-----------------	---------------

**Reference - Drawing Numbers**

Packaging Specification	PK-5559-003
Product Specification	PS-5556-001
Sales Drawing	SD-5559-525
Test Summary	TS-5556-002



*image - Reference only*

**EU RoHS**

**ELV and RoHS Compliant**  
**REACH SVHC**  
**Contains SVHC: No**  
**Halogen-Free Status**

**China RoHS**



**Need more information on product environmental compliance?**

Email [productcompliance@molex.com](mailto:productcompliance@molex.com)  
 For a multiple part number RoHS Certificate of Compliance, [click here](#)

Please visit the [Contact Us](#) section for any non-product compliance questions.

**Search Parts in this Series**

[5559Series](#)

**Mates With**

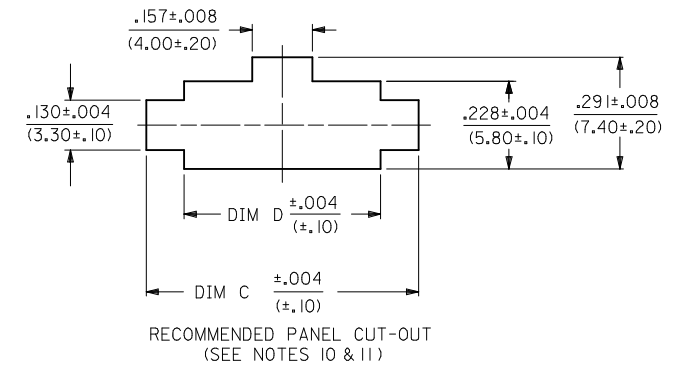
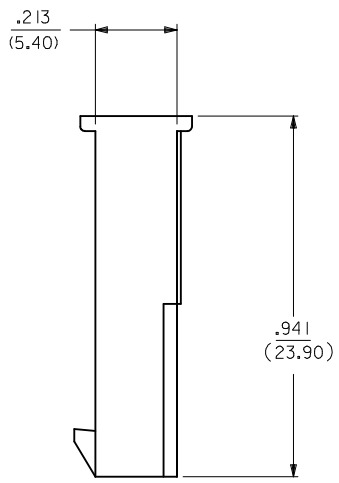
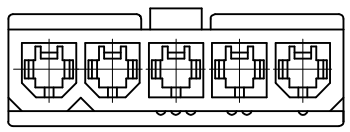
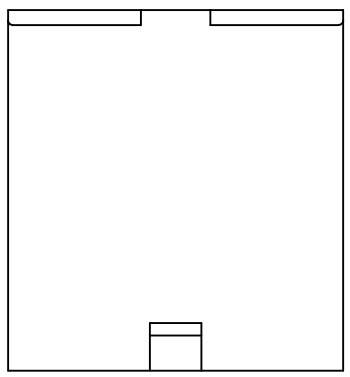
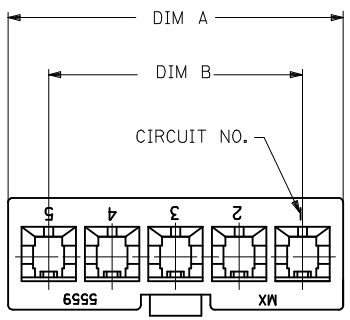
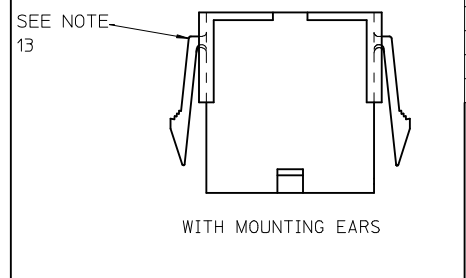
[5557](#) Receptacle Housing

**Use With**

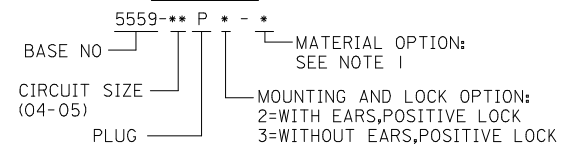
[5558](#) Male Terminal

**PLEASE CHECK [WWW.MOLEX.COM](http://WWW.MOLEX.COM) FOR LATEST PART INFORMATION**

MATERIAL NUMBER	ENGINEERING NUMBER	MOUNTING OPTION	CKT SIZE	DIM A	DIM B	DIM C	DIM D
NOT TOOLED	5559-04P2-225	W/EARS	4	.709	.496	.921	.724
26-01-3093	5559-04P3-225	NO EARS		(18.00)	(12.60)	(23.40)	(18.40)
NOT TOOLED	5559-05P2-225	W/EARS	5	.874	.661	1.087	.890
50-36-1681	5559-05P3-225	NO EARS		(22.20)	(16.80)	(27.60)	(22.60)



**LEGEND**



- NOTES:
- 1) MATERIAL: "225" = NYLON (PA6), UL94V-0, COLOR: BLACK; IEC 60335-1, 4th EDITION GLOW WIRE CAPABLE.
  - 2) FINISH: NOT APPLICABLE
  - 3) PRODUCT SPECIFICATION: PS-5556-001
  - 4) PACKAGING: BULK PER PK-5559-003
  - 5) PART MATES WITH MOLEX RECEPTACLE #5557.
  - 6) PART TO BE USED WITH MOLEX MALE TERMINAL #5558.
  - 7) PART IS NOT DESIGNED FOR CURRENT SHARING.
  - 8) CONNECTORS ARE NOT TO BE MATED OR UNMATED WHILE CIRCUITS ARE LIVE.
  - 9) WIRES ARE TO BE DRESSED IN SUCH A MANNER TO ALLOW THE TERMINALS TO FLOAT FREELY IN THE POCKET.
  - 10) PANEL MOUNT VERSION IS FOR USE WITH .031-.079/(0.80/2.00) THICK PANELS.
  - 11) PANEL SHOULD BE PUNCHED IN THE DIRECTION OF CONNECTOR INSERTION.
  - 12) PART CONFORMS TO CLASS "B" REQUIREMENTS OF COSMETIC SPECIFICATION PS-45499-002 WITH THE EXCEPTION OF DISCOLORATION, FLASH AND SINK MEET CLASS "C" REQUIREMENTS.
  - 13) FACTORY ID MAY BE LOCATED ON EARS.

ADD-04P3 PN EC NO: UCP2010-0318 DRWN:JBELL CHKD:JBELL APPR:FSMITH	2009/08/05 2009/08/06 2009/08/06	DESCRIPTION REV	QUALITY SYMBOLS	GENERAL TOLERANCES (UNLESS SPECIFIED)	DIMENSION STYLE	SCALE	DESIGN UNITS	THIRD ANGLE PROJECTION															
			$\nabla=0$ $\nabla=0$	<table border="1"> <tr> <th></th> <th>mm</th> <th>INCH</th> </tr> <tr> <td>4 PLACES</td> <td>± ---</td> <td>± ---</td> </tr> <tr> <td>3 PLACES</td> <td>± ---</td> <td>± .010</td> </tr> <tr> <td>2 PLACES</td> <td>± 0.25</td> <td>± .020</td> </tr> <tr> <td>1 PLACE</td> <td>± 0.38</td> <td>± ---</td> </tr> </table>		mm	INCH	4 PLACES	± ---	± ---	3 PLACES	± ---	± .010	2 PLACES	± 0.25	± .020	1 PLACE	± 0.38	± ---	IN/MM	1:1	METRIC	
				mm	INCH																		
			4 PLACES	± ---	± ---																		
3 PLACES	± ---	± .010																					
2 PLACES	± 0.25	± .020																					
1 PLACE	± 0.38	± ---																					
	ANGULAR ±1/2°	DRAWN BY DATE	TITLE	MOLEX INCORPORATED																			
	DRAFT WHERE APPLICABLE MUST REMAIN WITHIN DIMENSIONS	LSCHMIDT 2007/07/02	MINI-FIT JR. SERIES PLUG SINGLE ROW (GLOW WIRE)																				
A1				APPROVED BY DATE	DOCUMENT NO.	SHEET NO.																	
				FSMI THROEMER 2007/07/06	SD-5559-525	1 OF 1																	
				MATERIAL NO. SEE CHART																			
				THIS DRAWING CONTAINS INFORMATION THAT IS PROPRIETARY TO MOLEX INCORPORATED AND SHOULD NOT BE USED WITHOUT WRITTEN PERMISSION																			