



2-Line Filters

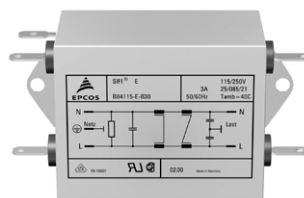
B84115

SIFI-E Series

SIFI-E for high insertion loss
Rated voltage 250 V~, 50/60 Hz
Rated current 3 A to 10 A

Construction

- Two-line filter
- Metal case
- Polyurethane potting (UL 94 V-0)



Features

- Compact design
- Very high insertion loss, even in the range below 100 kHz
- Low leakage current
- All relevant approvals
- Cost-optimized construction
- Also for assembly on top-hat rails

Applications

- Switch-mode power supplies in
 - industrial electronics
 - telecommunications
 - data systems
 - medical engineering

Case styles and terminal styles

- Case style A Tab connectors on face ends, lateral mounting tabs. Particularly suitable for mounting on a shielding wall.
- Case style B Tab connectors on face ends, mounting tabs on face ends.
- Case style K IEC connector as per IEC 60320 C 14 on line side, tab connectors on load side, mounting holes with metric thread.

Marking

Marking on component:
 Manufacturer's logo, ordering code, rated voltage, rated current, date code

Minimum marking on packaging:
 Manufacturer's logo, ordering code

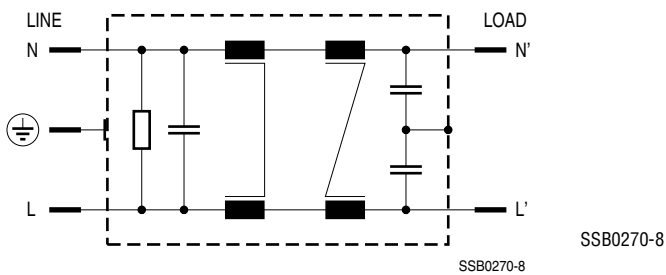


2-Line Filters

B84115

SIFI-E Series

Circuit diagram



Technical data

Rated voltage V_R	250 V~, 50/60 Hz
Rated current I_R	Referred to 40 °C ambient temperature
Test voltage V_P	1414 V~, 2 s (line/line) 2700 V~, 2 s (lines/case)
Leakage current I_{leak}	< 0,5 mA at 230 V~, 50 Hz (for $I_R = 3$ A) < 3,5 mA at 230 V~, 50 Hz (for $I_R \geq 6$ A)
Discharge resistors	The discharge resistors are rated such that one second after having disconnected the device from the power line, the voltage at the line connector should have dropped to 34 V.
Climatic category	In accordance with EN 60068-1 25/085/21 (-25 °C/+85 °C/21 days damp heat test)
Approvals	EN 133221

Characteristics and ordering codes

I_R	C_R	L_R	Case style	Appr. weight g	Ordering code	Mounting plate for top-hat rail (ordering code)
3	0,47 μ F (X2) + 2 \times 4700 pF (Y2)	2 \times 270 μ H + 2 \times 16 mH	A	210	B84115-E-A30	—
			B	210	B84115-E-B30	C62122-A132-B92
			K	270	B84115-E-K30	—
6	0,47 μ F (X2) + 2 \times 22 nF (Y2)	2 \times 100 μ H + 2 \times 4,7 mH	A	510	B84115-E-A60	—
			B	510	B84115-E-B60	C62122-A132-B95
			K	510	B84115-E-K60	—
10	0,47 μ F (X2) + 2 \times 22 nF (Y2)	2 \times 47 μ H + 2 \times 3,6 mH	A	690	B84115-E-A110	—
			B	690	B84115-E-B110	C62122-A132-B95



2-Line Filters

B84115

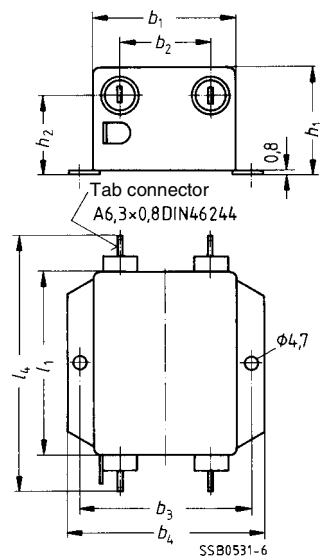
SIFI-E Series

Case styles and dimensions

Case style	Ordering code	Dimensions in mm									
		b_1	b_2	b_3	b_4	l_1	l_2	l_3	l_4	h_1	h_2
A	B84115-E-A30	50,8	31,5	60,4	70	63,5	—	—	89,5	38,1	28
B	B84115-E-B30	50,8	31,5	—	—	63,5	74,7	84,5	89,5	38,1	28
K	B84115-E-K30	50,8	—	—	—	79,5	—	—	—	38	—
A	B84115-E-A60	see dimensional drawing									
B	B84115-E-B60	see dimensional drawing									
K	B84115-E-K60	see dimensional drawing									
A	B84115-E-A110	see dimensional drawing									
B	B84115-E-B110	see dimensional drawing									

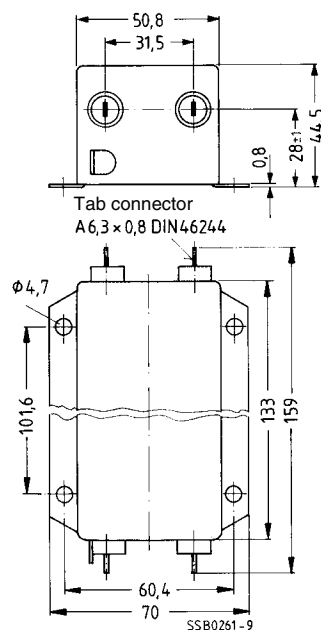
Case style A

B84115-E-A30



Case style A

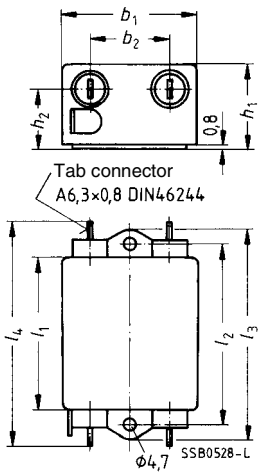
B84115-E-A60
B84115-E-A110





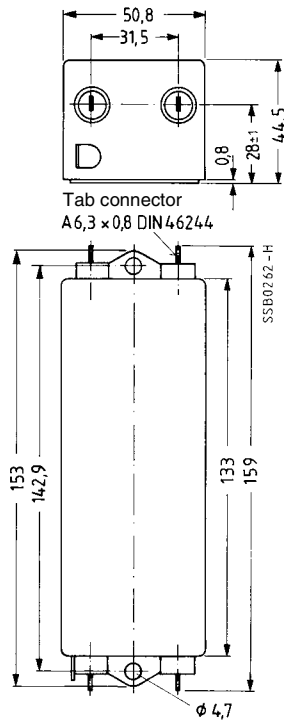
Case style B

B84115-E-B30



Case style B

B84115-E-B60
B84115-E-B110





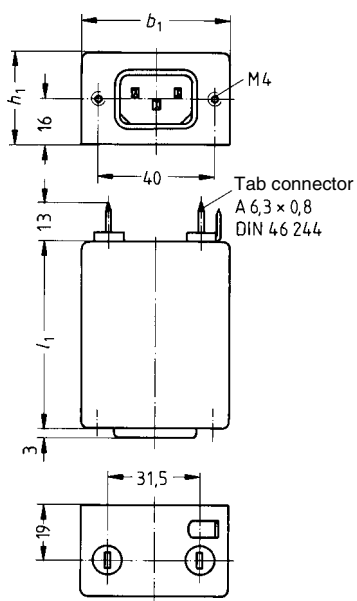
2-Line Filters

B84115

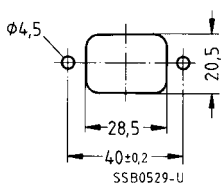
SIFI-E Series

Case style K

B84115-E-K30

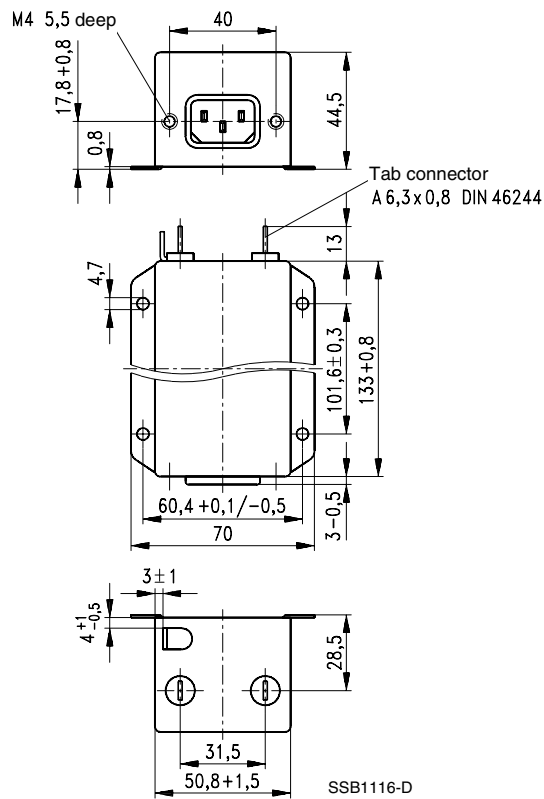


Mounting detail



Case style K

B84115-E-K60

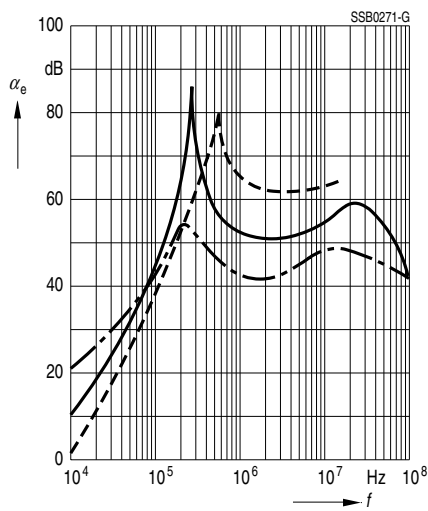




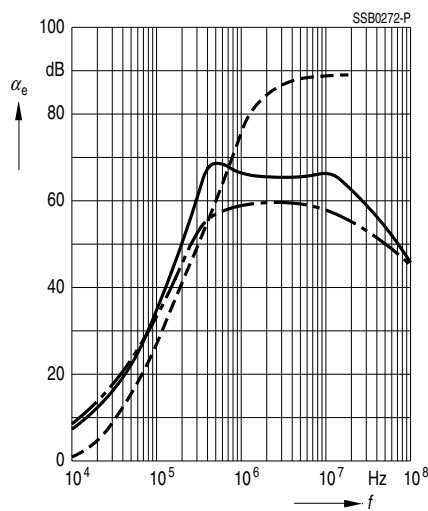
Insertion loss (typical values at $Z = 50 \Omega$)

- unsymmetrical, adjacent branches terminated
- - - - - common mode, all branches in parallel (asymmetrical)
- - - - - differential mode (symmetrical)

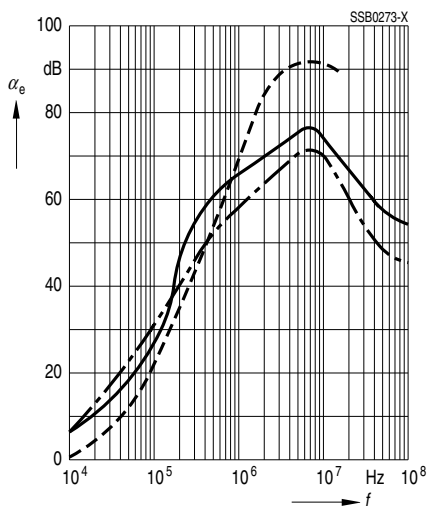
B84115-E- \times 30



B84115-E- \times 60



B84115-E- \times 110



Herausgegeben von EPCOS AG

Marketing Kommunikation, Postfach 80 17 09, 81617 München, DEUTSCHLAND

© EPCOS AG 2000. Alle Rechte vorbehalten. Vervielfältigung, Veröffentlichung, Verbreitung und Verwertung dieser Broschüre und ihres Inhalts ohne ausdrückliche Genehmigung der EPCOS AG nicht gestattet.

Mit den Angaben in dieser Broschüre werden die Bauelemente spezifiziert, keine Eigenschaften zugesichert. Bestellungen unterliegen den vom ZVEI empfohlenen Allgemeinen Lieferbedingungen für Erzeugnisse und Leistungen der Elektroindustrie, soweit nichts anderes vereinbart wird.

Diese Broschüre ersetzt die vorige Ausgabe.

Fragen über Technik, Preise und Liefermöglichkeiten richten Sie bitte an den Ihnen nächstgelegenen Vertrieb der EPCOS AG oder an unsere Vertriebsgesellschaften im Ausland.

Bauelemente können aufgrund technischer Erfordernisse Gefahrstoffe enthalten. Auskünfte darüber bitten wir unter Angabe des betreffenden Typs ebenfalls über die zuständige Vertriebsgesellschaft einzuholen.

Published by EPCOS AG

Marketing Communications, P.O. Box 80 17 09, 81617 Munich, GERMANY

© EPCOS AG 2000. All Rights Reserved. Reproduction, publication and dissemination of this brochure and the information contained therein without EPCOS' prior express consent is prohibited.

The information contained in this brochure describes the type of component and shall not be considered as guaranteed characteristics. Purchase orders are subject to the General Conditions for the Supply of Products and Services of the Electrical and Electronics Industry recommended by the ZVEI (German Electrical and Electronic Manufacturers' Association), unless otherwise agreed.

This brochure replaces the previous edition.

For questions on technology, prices and delivery please contact the Sales Offices of EPCOS AG or the international Representatives.

Due to technical requirements components may contain dangerous substances. For information on the type in question please also contact one of our Sales Offices.