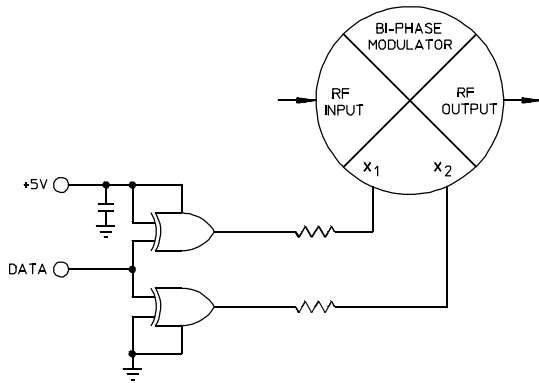


# BTG-2B-500

# BIPHASE MODULATOR

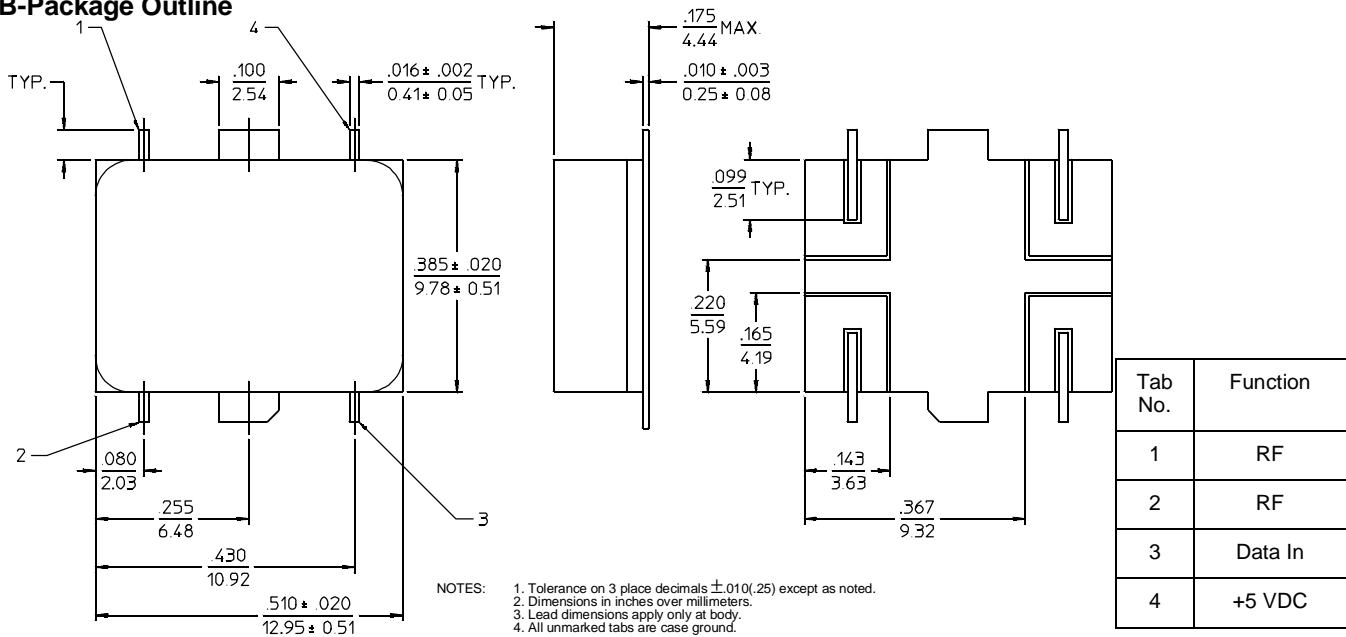
10 to 1000 MHz / TTL Compatible Input / Hi-Rel SMD Package



## PRINCIPAL SPECIFICATIONS

Model Number	Frequency Range, MHz	Insertion Loss, dB		Amplitude Balance, dB		Phase Balance, Max. Typ.		Carrier Suppression, Typ.	VSWR, Max.	Weight, oz.(g), Nom.
		Max.	Typ.	Max.	Typ.	Max.	Typ.			
BTG-2B-500	10 – 500	3	2	0.3	0.20	±3°	±1°	– 25 dBc	2.0:1	0.1 (2.8)
	500 – 1000	4	3	0.5	0.20	±4°	±2°			

## B-Package Outline



### General Notes:

- The BTG-2B-500 Biphaser Modulator covers the frequency range of 10 to 1000 MHz and includes interface circuitry so it may be driven directly from standard TTL using a +5V supply.
- The BTG-2B-500 is available in a variety of alternative packages, logic circuit types (e.g., ECL) and frequency ranges. Customized versions are available for special frequency bands matched to your special applications.
- Merrimac Biphaser Modulators cover a variety of frequency bands while providing wide bandwidths suitable for most applications. All units comply with MIL-M-28837 and may be supplied screened for compliance with additional specifications for military and space applications requiring the highest reliability.

## GENERAL SPECIFICATIONS

Impedance:	50 Ω nom.
RF Input Level:	0 dBm max.
Switching Speed:	5 nS typ. (50% Control to 90% RF)
Data Signal Levels:	TTL compatible
Supply Voltage:	+5 VDC @ 25 mA nom
Operating Temp:	– 55° to +85°C

29Apr96