

Features

- DC - 6.0 GHz
- 30 Watts
- BeO Ceramic
- Welded Silver Leads
- Non-Nichrome Resistive Element
- 100% Tested

General Specifications

| | |
|--------------------|--------------------------------|
| Resistive Element: | Thick film |
| Substrate: | Beryllium oxide ceramic |
| Cover: | Alumina ceramic |
| Lead(s): | 99.99% pure silver (.005" thk) |

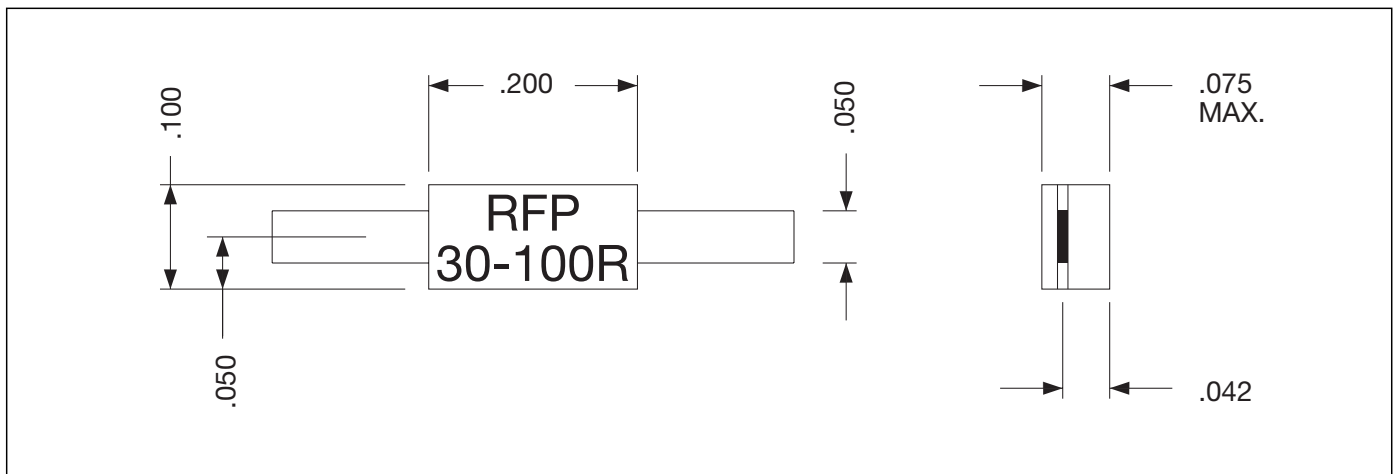
Electrical Specifications

| | |
|-------------------|---------------------|
| Resistance Value: | 100 ohms, $\pm 5\%$ |
| Frequency Range: | DC - 6.0 GHz |
| Power: | 30 Watts |
| Capacitance: | 0.75 pF |

Notes: Tolerance is ± 0.10 , unless otherwise specified. Operating temperature is -55°C to $+150^{\circ}\text{C}$ (see chart). Designed to meet or exceed applicable portions of MIL-E-5400. All dimensions are in inches. Lead length 0.15" minimum.

Specifications subject to change without notice.

Outline Drawing



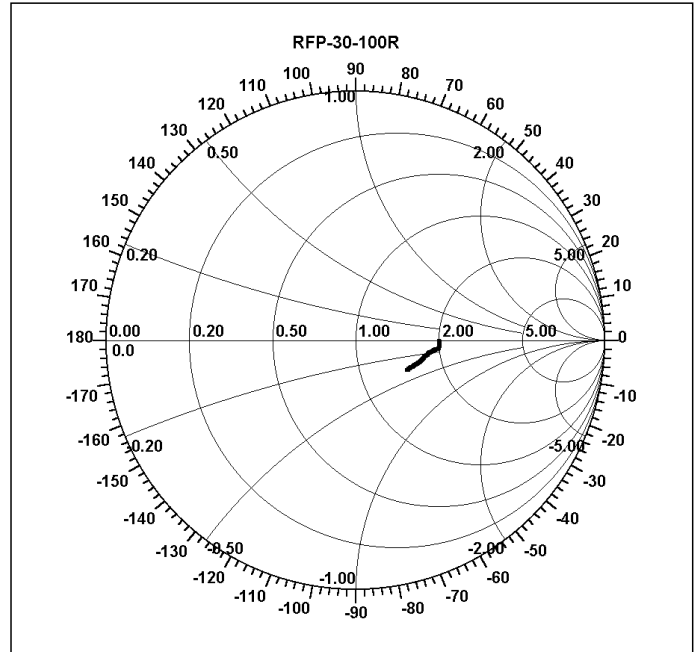
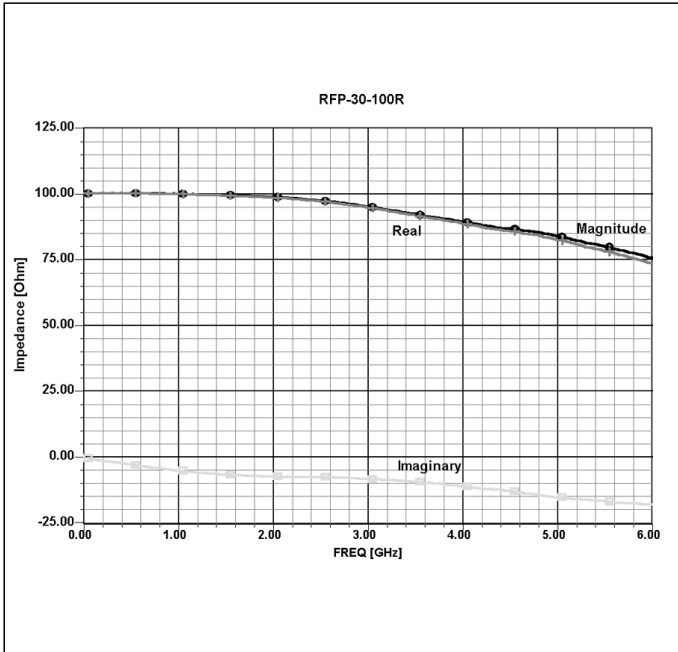
VER. 12/5/01

Model RFP-30-100R

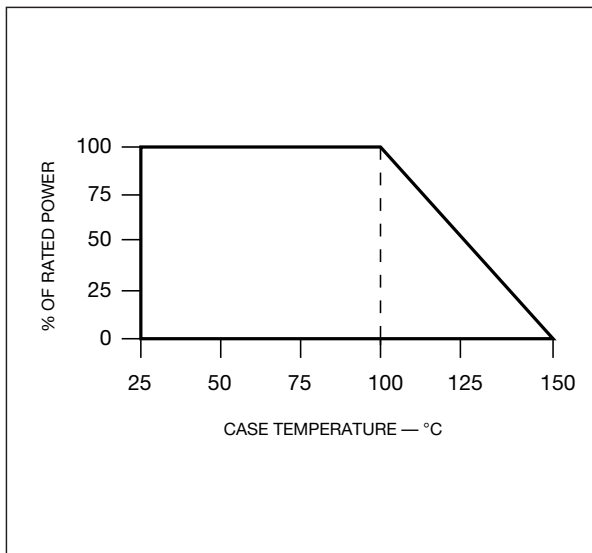


RF Power

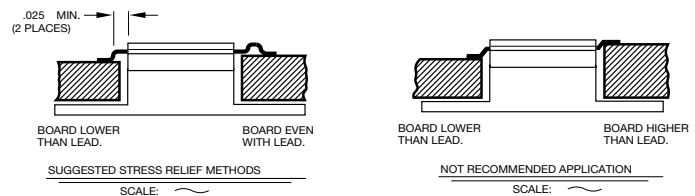
Typical Performance



Power Derating



Suggested Mounting Procedures



1. Make sure that the devices are mounted on flat surfaces (.001" under the device) to optimize the heat transfer.
2. Position device on mounting surface and solder in place using an indalloy type or an SN63 type solder.
3. Solder leads in place using an SN63 type solder with a controlled temperature iron (210°C).