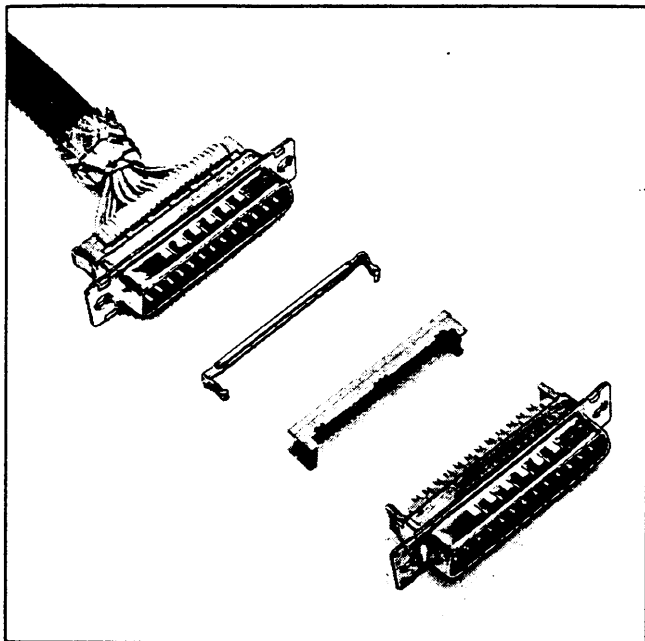


# D Sub

## Plug Connector

8200 Series



- Available in either pre-assembled or two piece covers
- Available in either open or closed end cover
- Available with dimples to aid in EMI/ESD protection
- Improved metal strain relief hooks directly to metal shell
- Low profile
- Four mounting options

122

TS-0234-11  
Sheet 1 of 3

## Physical

### Insulation

Material: Glass Filled Polyester (PBT)  
 Flammability: UL 94V-0  
 Color: Gray

### Contact

Material: Beryllium Copper  
 Plating  
 Underplate: 50  $\mu$ " (1.27  $\mu$ m) Nickel — QQ-N-290, Class 2  
 Wiping Area: 30  $\mu$ " (0.76  $\mu$ m) Gold — MIL-G-45204, Type II, Grade C

### Shell

Material: Steel  
 Plating: 197-394  $\mu$ " (5-10  $\mu$ m) 90/10 Tin Lead Over Copper  
 Strain Relief Material: Stainless Steel .016 (0.40) Thick  
 Wire Accommodation: 26 & 28 AWG Solid or Stranded  
 Marking: 3M Logo & Contact Position Numbers

## Electrical

Current Rating: 1 A  
 Insulation Resistance:  $> 1 \times 10^9 \Omega$  at 500 VDC  
 Withstanding Voltage: 1000 Vrms at Sea Level

## Environmental

Temperature Rating:  $-55^\circ$  to  $+105^\circ$

UL File No.: E68080  
 CSA File No.: LR 40971

### 3M Electronic Products Division

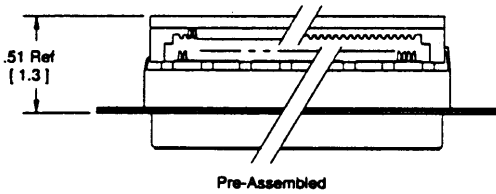
6801 River Place Blvd.  
 Austin, TX 78726-9000

# D Sub Plug Connector

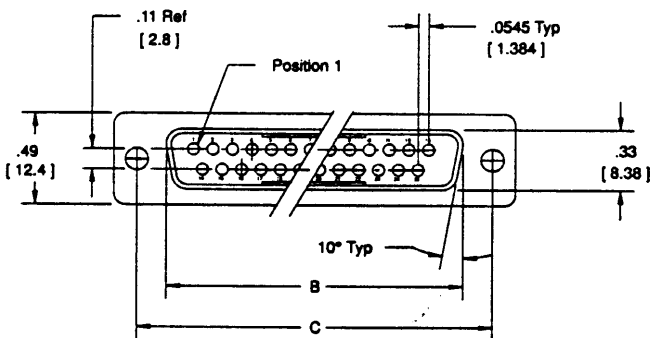
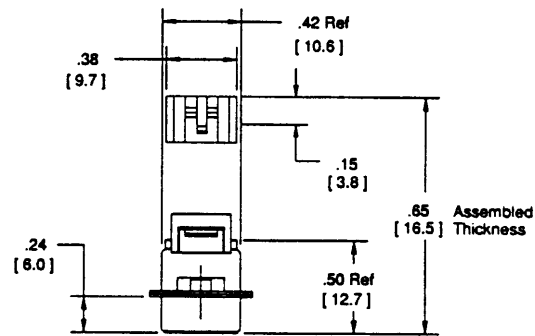
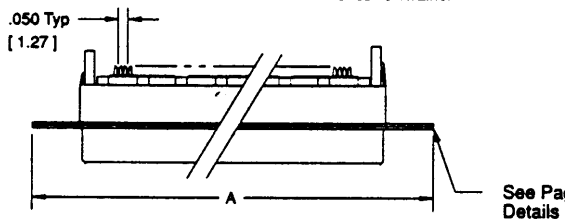
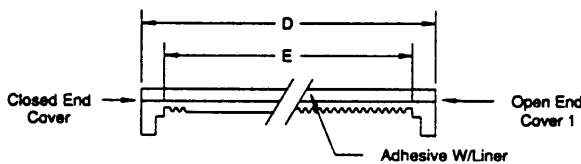
8200 Series

Sheet 2 of 3

Contact Quantity	Dim A	Dim B	Dim C	Dim D	Dim E	Dim F
09	1.21 [ 30.7 ]	.67 [ 17.0 ]	.98 [ 25.0 ]	.66 [ 16.7 ]	.49 [ 12.5 ]	.70 [ 17.8 ]
15	1.54 [ 39.1 ]	1.00 [ 25.4 ]	1.31 [ 33.3 ]	.99 [ 25.2 ]	.79 [ 20.1 ]	1.03 [ 26.1 ]
25	2.09 [ 53.1 ]	1.54 [ 39.1 ]	1.85 [ 47.0 ]	1.53 [ 39.0 ]	1.29 [ 32.8 ]	1.57 [ 39.8 ]
37	2.73 [ 69.3 ]	2.18 [ 55.4 ]	2.50 [ 63.5 ]	2.18 [ 55.4 ]	1.89 [ 48.0 ]	2.22 [ 56.3 ]



Note: Preassembled closed cover on Pin 1 side of connector.



Inch [mm]		
Tolerance Unless Noted		
	.0	.00 .000
Inch	±.1	±.01 ±.005

[ ] Dimensions for Reference Only

TS-0234-11

## Ordering Information

Connector  
82XX-X0XX

Strain Relief  
3448-8DXXA

Contact Quantity

Cover Style:

- 6 = Open Cover
- 7 = Closed Cover
- 8 = Open Cover, W/O Adhesive, Preassembled
- 9 = Closed Cover, W/O Adhesive, Preassembled

Strain Relief Option:

- 0 = Tin Lead, Dimples, W/O Strain Relief
- 6 = Tin Lead, Dimples, with Strain Relief

Mounting Style:

- 0 = Standard
- 3 = English
- 4 = Metric

- 09 = 9 Position
- 15 = 15 Position
- 25 = 25 Position
- 37 = 37 Position

3M Electronic Products Division

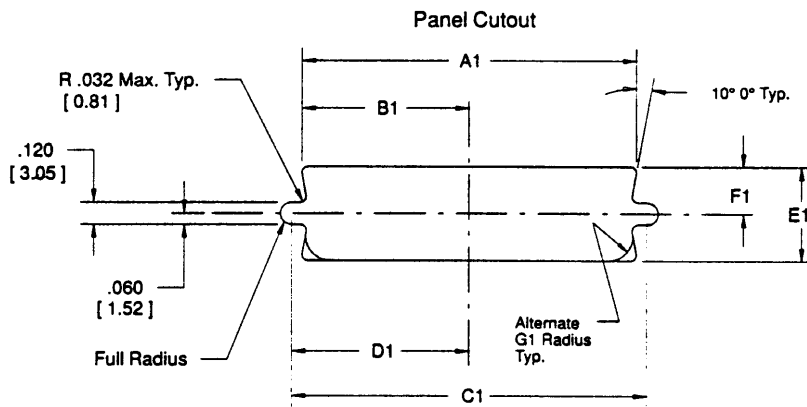
6801 River Place Blvd.  
Austin, TX 78726-9000

# D Sub Plug Connector

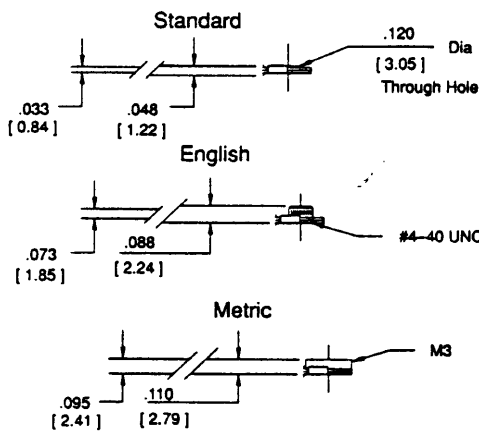
8200 Series

Mounting Method	Contact Quantity	Dim A1	Dim B1	Dim C1	Dim D1	Dim E1	Dim F1	Dim G1
Front	9	.874 [22.20]	.437 [11.10]	.984 [24.99]	.492 [12.50]	.513 [13.03]	.257 [6.53]	.120 [3.05]
	15	1.202 [30.53]	.601 [15.27]	1.312 [33.32]	.656 [16.66]	.513 [13.03]		
	25	1.744 [44.30]	.872 [22.15]	1.852 [47.04]	.926 [23.52]	.513 [13.03]		
	37	2.392 [60.76]	1.196 [30.38]	2.500 [63.50]	1.250 [31.75]	.513 [13.03]		
Rear	9	.806 [20.47]	.403 [10.24]	.984 [24.99]	.492 [12.50]	.449 [11.40]	.225 [5.70]	.120 [3.05]
	15	1.134 [28.80]	.567 [14.40]	1.312 [33.32]	.656 [16.66]	.449 [11.40]		
	25	1.674 [42.52]	.837 [21.26]	1.852 [47.04]	.926 [23.52]	.449 [11.40]		
	37	2.326 [59.08]	1.163 [29.54]	2.500 [63.50]	1.250 [31.75]	.449 [11.40]		

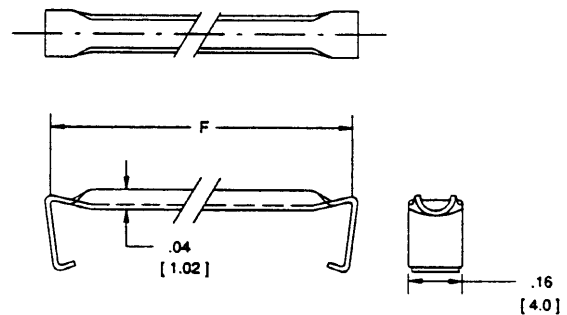
\*Front Mount – The connector is mounted in front of the panel.  
Rear Mount – The connector is mounted behind the panel.



### Mounting Styles



### Strain Relief (Order Separately or with Connector)



Sheet 3 of 3

TS-0234-11