

# Ethernet DC/DC Converter EPC1015P & EPC1015H

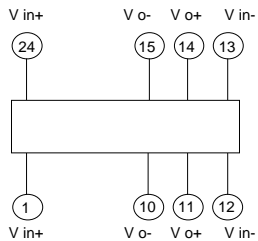
- Features**
- 70 % Typical efficiency at full load @ nominal input voltage
  - Regulated Output
  - Input / Output Isolation
  - Input filter to reduce input ripple current
  - Designed for low common mode noise

## Electrical Specifications

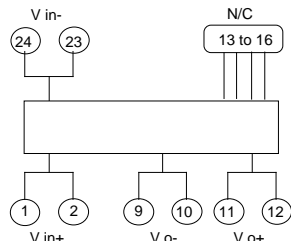
\*Note : Package with G = Surface Mount Device, †† : E1,E1-G,E4,E4-G,E11,Q,Q1, N4-G

PCA P/N	STD PKG	Optional Packages	Input Voltage V	Output Voltage V	Output Current mA Max.	Output Ripple & Noise @ 20 MHz BW mV p-p	Isolation Vrms
EPC1015P	E	E-G*, F2,N,††	5 ± 10%	9 ± 5%	200 Max.	100 Max.	500
EPC1015H	E1	E1-G*,N1,Q1	5 ± 10%	9 ± 5%	200 Max.	100 Max.	2000

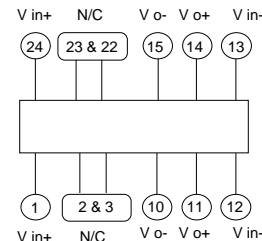
### Pin Connections for E\*\*



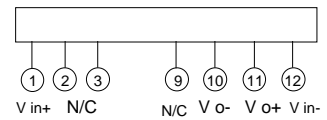
### Pin Connections for E1



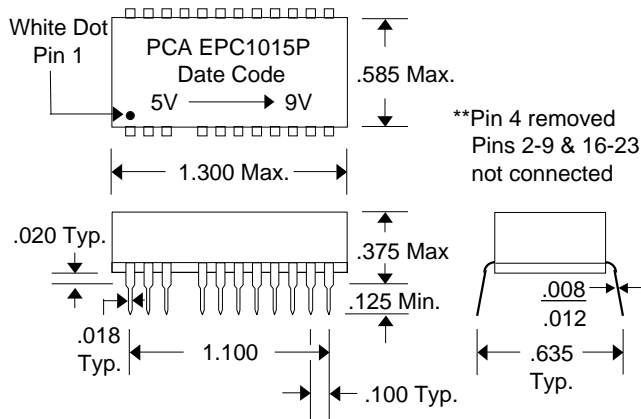
### Pin Connections for E4



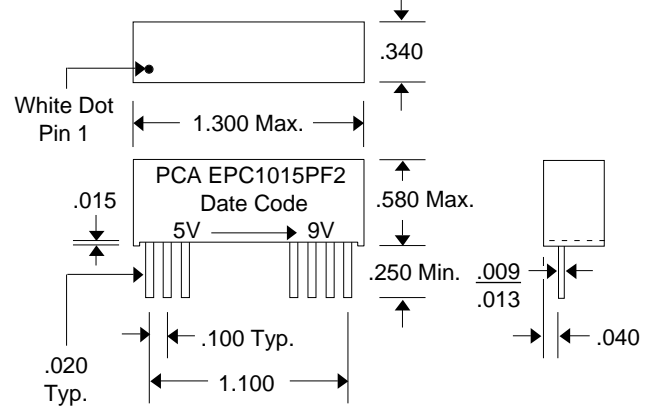
### Pin Connections for F2



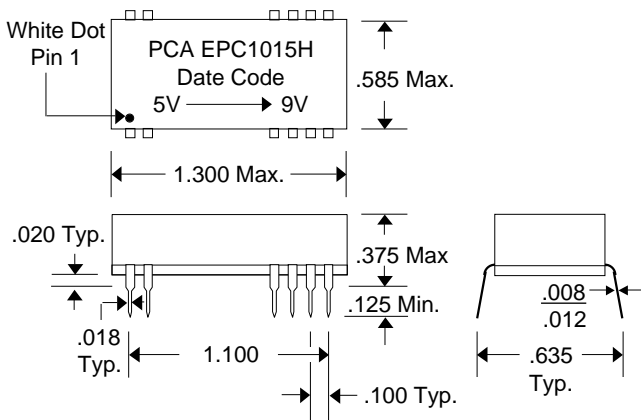
### PACKAGE E



### PACKAGE F2



### PACKAGE E1



### PACKAGE E4

