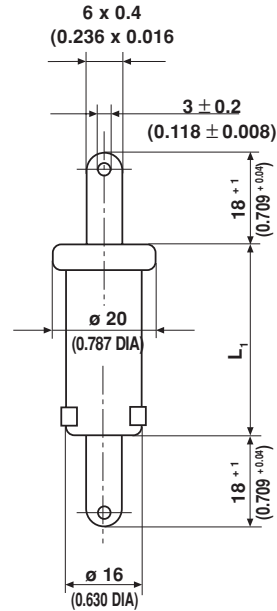
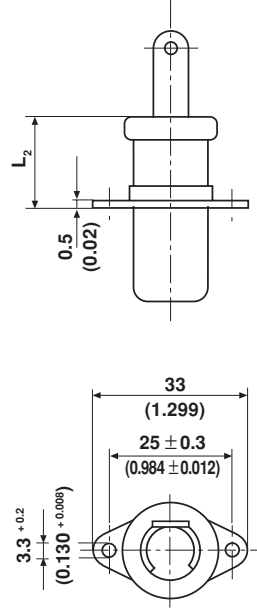


Tubular Capacitors, Tag Mounting

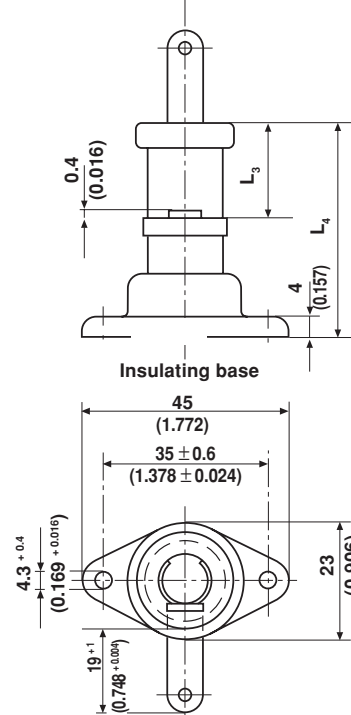
RA 016040 3KV_p
RA 016070 3KV_p



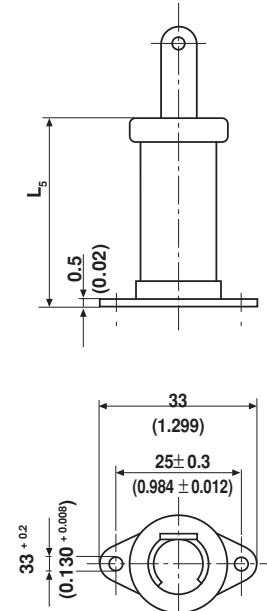
RB 016040 3KV_p
RB 016070 3KV_p



RC 016040 3KV_p
RC 016070 3KV_p



RE 016040 3KV_p
RE 016070 3KV_p



• Dimensions in millimeters (inches)

MODEL	RA 016040 RB 016040 RC 016040 RE 016040	RA 016070 RB 016070 RC 016070 RE 016070
Length L ₁	40 (1.575)	70 (2.756)
Length L ₂	20 ± 1 (0.787 ± 0.039)	35 ± 1 (1.378 ± 0.039)
Length L ₃	20 ± 1 (0.394 ± 0.039)	35 ± 1 (1.378 ± 0.039)
Length L ₄	46 ± 1 (1.811 ± 0.039)	76 ± 1 (2.992 ± 0.039)
Length L ₅	41 ± 1 (1.614 ± 0.039)	71 ± 1 (2.795 ± 0.039)

MATERIAL:

Capacitor elements made from Class 1 ceramic dielectric with noble metal electrodes.
Connection terminals: Copper/brass, silver plated.

MARKING:

Type designator, Capacitance value and tolerance, Rated voltage (peak value), Production date code, Ceramic material code, DRALORIC Logo

FINISH:

Capacitor body completely laquered.
Insulating ceramic base glazed (Model RC only).

ORDERING INFORMATION				
MODEL	RATED VOLTAGE	CAPACITANCE VALUE	TOLERANCE	CERAMIC
RC 016040	3KV _p	300pF	± 10%	R 42



R. 016040				
CERAMIC	CAPACITANCE VALUE [pF]	RATED VOLTAGE [KV _p]	RATED POWER [KVA _r]	RATED CURRENT [A _{RMS}]
R 7	25	3	3.5	5
	30			
	40			
	50			
	60			
R 16	80			
R 42	100	3	4.2	5
	120			
	160			
	200			
	250			
	300			
R 85	400	3	4.2	5
	500			
	600			
	800			
	1000			

R. 016070				
CERAMIC	CAPACITANCE VALUE [pF]	RATED VOLTAGE [KV _p]	RATED POWER [KVA _r]	RATED CURRENT [A _{RMS}]
R 7	50	3	5.6	5
	60			
	80			
	100			
R 16	120			
R 42	200	3	7	5
	250			
	300			
	400			
	500			
	600			
R 85	800	3	7	5
	1000			
	1200			
	1600			

CAPACITANCE TOLERANCES: ± 20%, ± 10%, ± 5%
 Other capacitance values and tolerances are available on request.