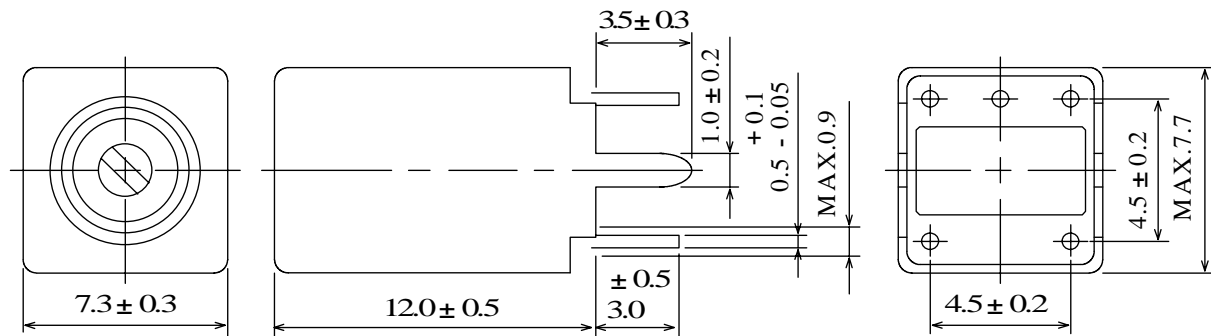


Type: S-7GC
Product Description

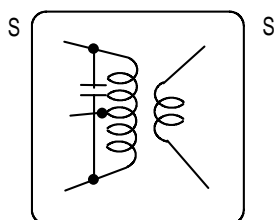
- 7.7 × 7.6mm Max.(L × W), 12.5mm Max. Height.
- Inductance:0.1~10 μ H Max.
- Operating frequency: 300MHz Max.
- In addition to the reference versions of parameters shown here, custom designs are available to meet your exact requirements.


Feature

- Variable shielded type.
- Internally assembled condenser is available.
- RoHS Compliance

Dimensions (mm)


- * Dimension does not include solder used on coil.
- * Pin pitch should be measured at the root of terminal.

Connection (Bottom View)


“ S ” is winding start.

Specification (Part No. 0236-T238)

Item	(1-3)	Measuring conditions
Frequency	49MHz±2% Variable	
Unloaded Qu	45 Min.	49MHz
Capacity(Int.)	15pF±10%	
Ext. Stray Capacity 5pF Between (1-3) when Measuring.		