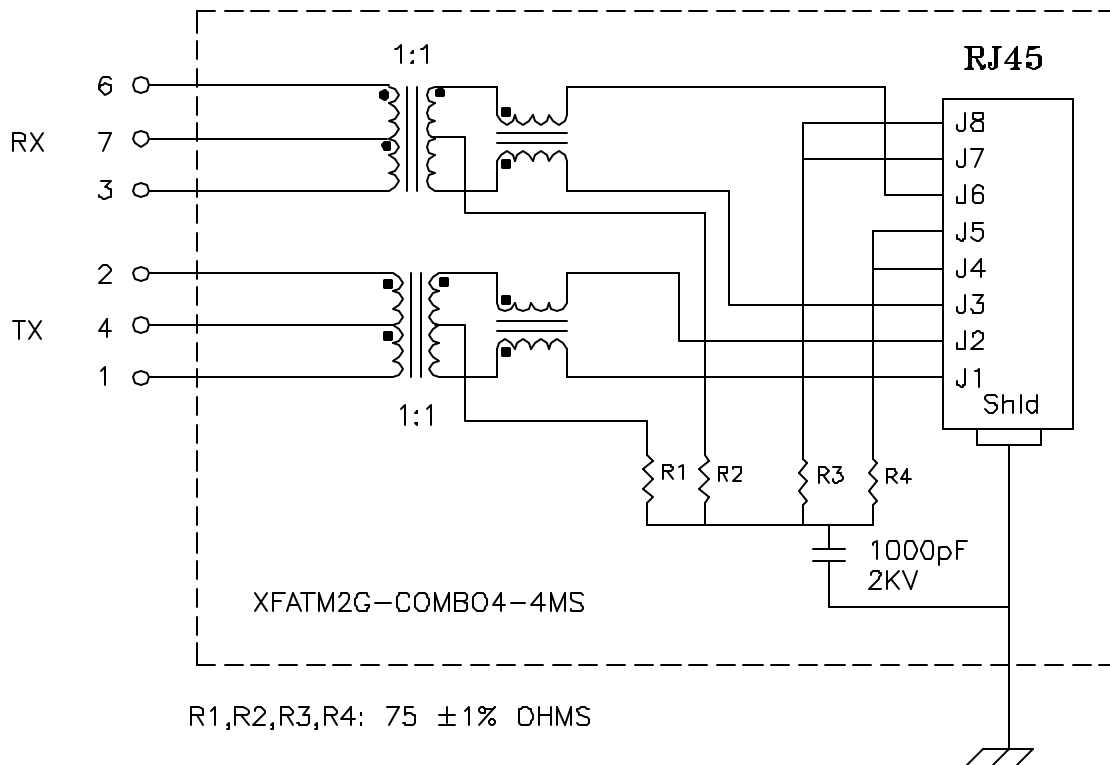


Schematic:

(ONE OF FOUR)

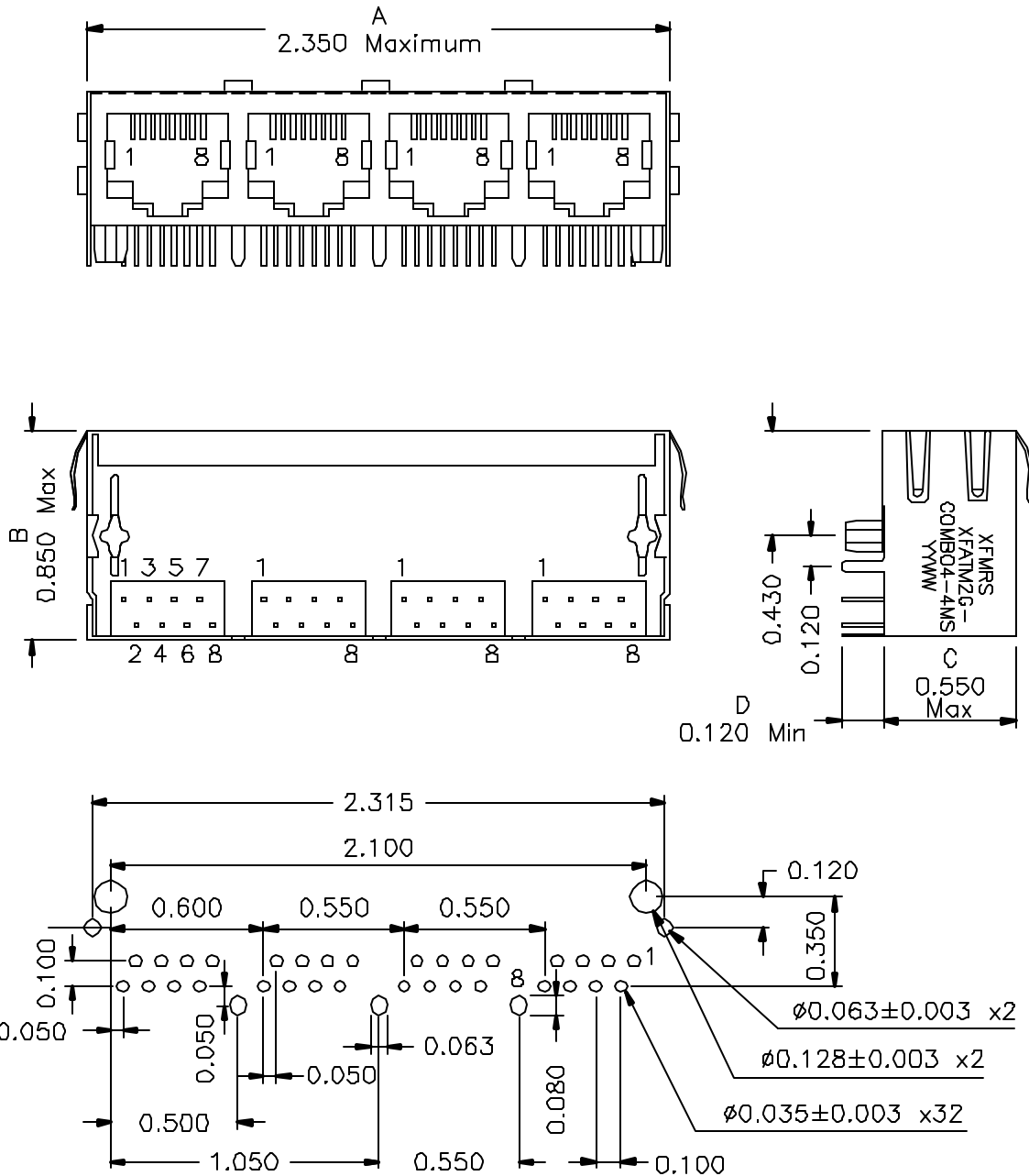


Electrical Specifications: @25°C

Isolation Voltage: 1500 Vac
 Isolation Voltage: 500 Vac (1+2+3+5+6+7)
 UTP SIDE OCL: 350uH Min @100KHz 100mV 8mADC
 Rise Time (10-90%): 2.5ns Typical
 Insertion Loss (300KHz-100MHz): -1.1dB Maximum
 Insertion Loss (100MHz-125MHz): -1.5dB Maximum
 Return Loss: -12dB Typical @300KHz - 100MHz
 Crosstalk:
 100KHz-60MHz -40dB Typical
 60MHz-100MHz -38dB Typical
 Common Mode to Differential Mode Rejection:
 1MHz-100MHz -30dB Typ (Tx) / -30dB Typ (Rx)
 200MHz -20dB Typ (Tx) / -20dB Typ (Rx)

XFMRs Inc. UNLESS OTHERWISE SPECIFIED TOLERANCES: .xxx ±0.010 Dimensions in Inch SHEET 1 OF 2	Title: QUAD PORT COMBO		
	P/N: XFATM2G-COMBO4-4MS		REV. A
	DWN.	BW	Jul-6-00
	CHK.	Joe Huff	Jul-6-00
	APP.	AEI	Jul-6-00

Mechanical Dimensions: (FOR COMB04-4MS)



SUGGESTED MOUNTING PATTERN

DOC. REV: A/1

XFMRs Inc. UNLESS OTHERWISE SPECIFIED TOLERANCES: .xxx ±0.010 Dimensions in Inch SHEET 2 OF 2	Title: Mechanical Dimensions For COMB04-4MS Series		
	P/N: XFATM2G-COMB04-4MS		REV. A
	DWN.	BW	Jul-6-00
	CHK.	Joe Huff	Jul-6-00
	APP.	AEI	Jul-6-00