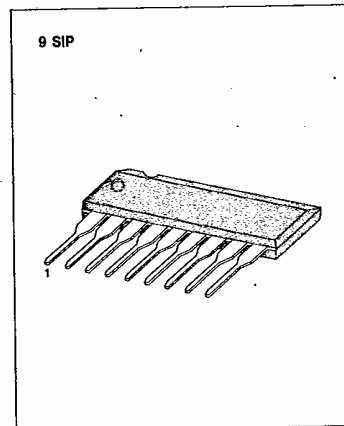


TOY RADIO CONTROL ACTUATOR

The KA2304 is a monolithic integrated circuit designed for remote controlled 2 function (Forward, Backward) actuators. It is suitable for radio controlled toy car and other equipment.

FEATURES

- Include Amplifier, Detector, Comparator, Latch, Voltage Regulator, Actuator
- Wide power supply voltage range ($V_{CC} = 2.5V \sim 10V$)
- Minimum number of external parts required.



BLOCK DIAGRAM

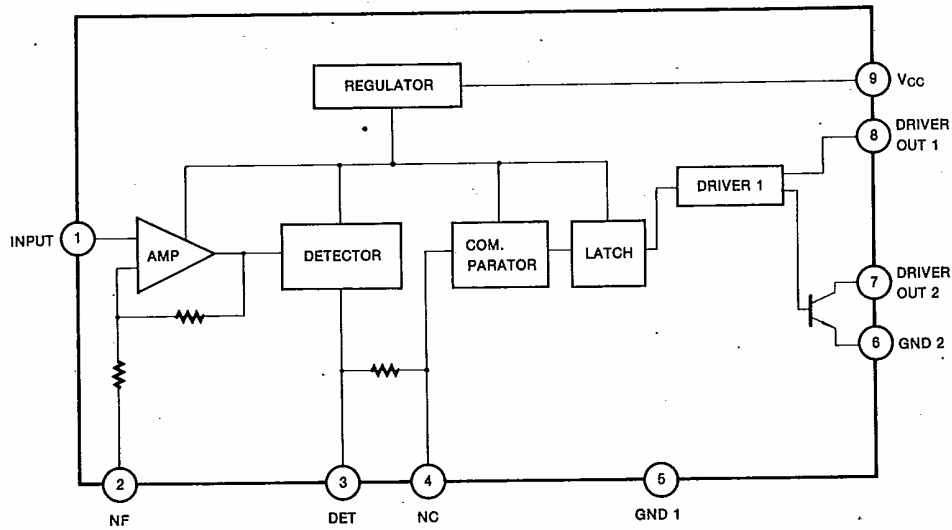


Fig. 1

ABSOLUTE MAXIMUM RATINGS (Ta = 25°C)

Characteristic	Symbol	Value	Unit
Supply Voltage	V _{CC}	11	V
Power Dissipation	P _d	500	mW
Operating Temperature	T _{opr}	-20 ~ +70	°C
Storage Temperature	T _{stg}	-40 ~ +150	°C

ELECTRICAL CHARACTERISTICS

(Ta = 25°C)

Characteristic	Symbol	Test Conditions	Min	Typ	Max	Unit
Operating Voltage	V _{CC}		2.5	5	10	V
Circuit Current	I _{CC}	V _{CC} = 5V	10	20	40	mA
Input Impedance	Z _i	V _{CC} = 5V		10		KΩ
Output Sink Current	I _{SINK}	Pin 8 is actuated	6	15	20	mA
Output Saturation Voltage	V _{SAT}	Pin 6 is actuated		0.25	0.45	V
Sensitivity	V _i (sen)	Output is actuated	2	4	6	mV
Comparator Hysteresis	HY		5	8	11	dB

TYPICAL APPLICATION CIRCUIT

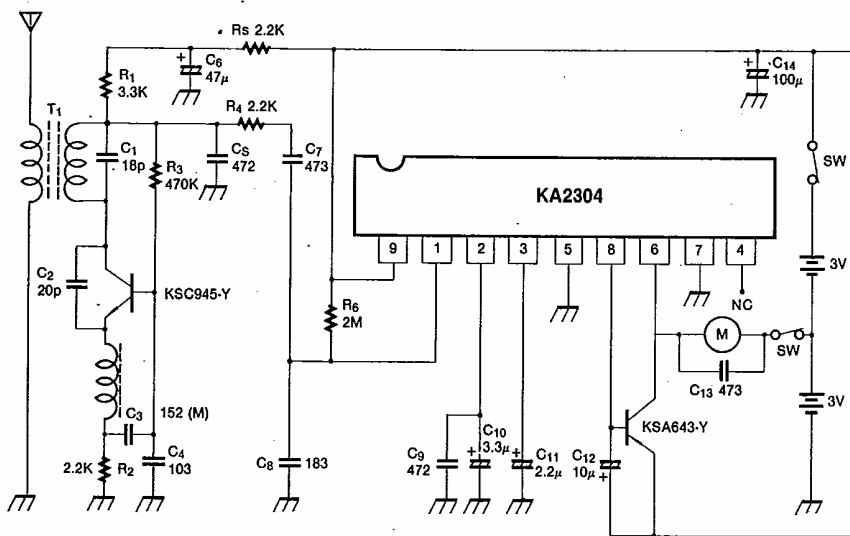


Fig. 2