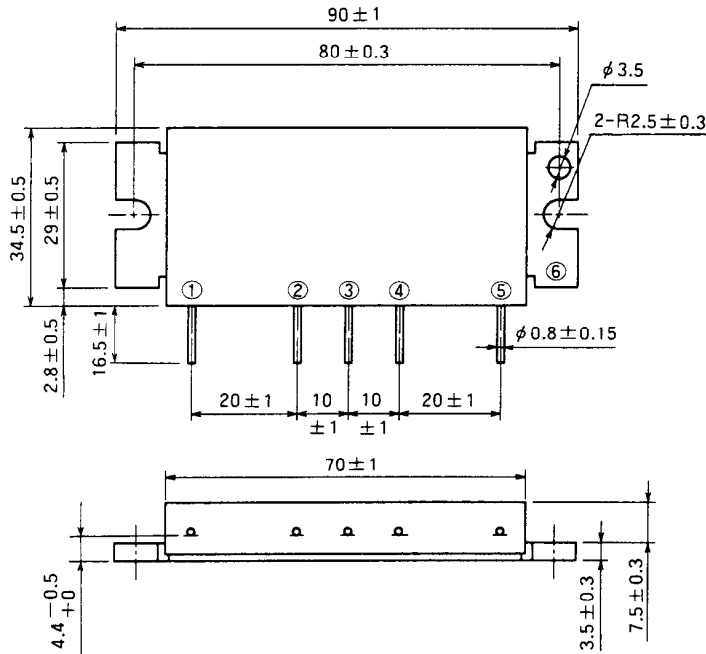


# M67727

144-148MHz, 12.5V, 60W, SSB MOBILE RADIO

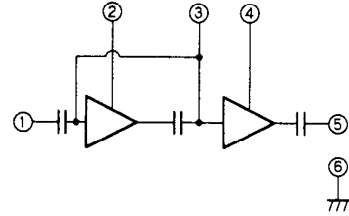
## OUTLINE DRAWING

Dimensions in mm



H28

## BLOCK DIAGRAM



PIN :

- ① Pin : RF INPUT
- ② VCC1 : 1st. DC SUPPLY
- ③ VBB : BASE BIAS SUPPLY
- ④ VCC2 : 2nd. DC SUPPLY
- ⑤ Po : RF OUTPUT
- ⑥ GND : FIN

## ABSOLUTE MAXIMUM RATINGS (Tc = 25°C unless otherwise noted)

Symbol	Parameter	Conditions	Ratings	Unit
Vcc	Supply voltage		16	V
VBB	Base bias		10	V
Icc	Total current		24	A
Pin(max)	Input power	ZG = ZL = 50 Ω, Vcc1 ≤ 12.5V	0.8	W
PO(max)	Output power	ZG = ZL = 50 Ω	78	W
Tc(OP)	Operation case temperature		- 30 to 110	°C
Tstg	Storage temperature		- 40 to 110	°C

Note. Above parameters are guaranteed independently.

## ELECTRICAL CHARACTERISTICS (Tc = 25°C unless otherwise noted)

Symbol	Parameter	Test conditions	Limits		Unit
			Min	Max	
f	Frequency range	Pin = 0.5W VBB = 9V Vcc = 12.5V ZG = ZL = 50 Ω	144	148	MHz
Po	Output power		60		W
ηT	Total efficiency		50		%
2fo	2nd. harmonic			- 30	dBc
3fo	3rd. harmonic			- 35	dBc
ρin	Input VSWR			2.8	-
-	Load VSWR tolerance	Vcc = 15.2V, VBB = 9V Po = 55W (Pin : controlled) Load VSWR=8.8:1 (All phase), 2sec. ZG = 50 Ω	No degradation or destroy		-

Note. Above parameters, ratings, limits and conditions are subject to change.