

TDC1002 (1 μ sec)

Discontinued – Use TDC1001 for New Designs



Successive Approximation A/D Converter

8–Bit, 2.5MSPS

The TRW TDC1002 analog-to-digital converter is a high-speed, 8-bit successive approximation device. This bipolar, monolithic converter offers significant advantages in size, cost, and performance, as well as high reliability and low-power consumption.

All digital interfaces are TTL compatible. A single +5VDC supply is required by the digital circuitry while –5VDC is required by the analog portion of the device. The analog and digital ground planes are internally isolated.

The TDC1002 consists of a comparator, reference buffer, 8-bit D/A converter, successive approximation register, output register, and control circuitry.

Features

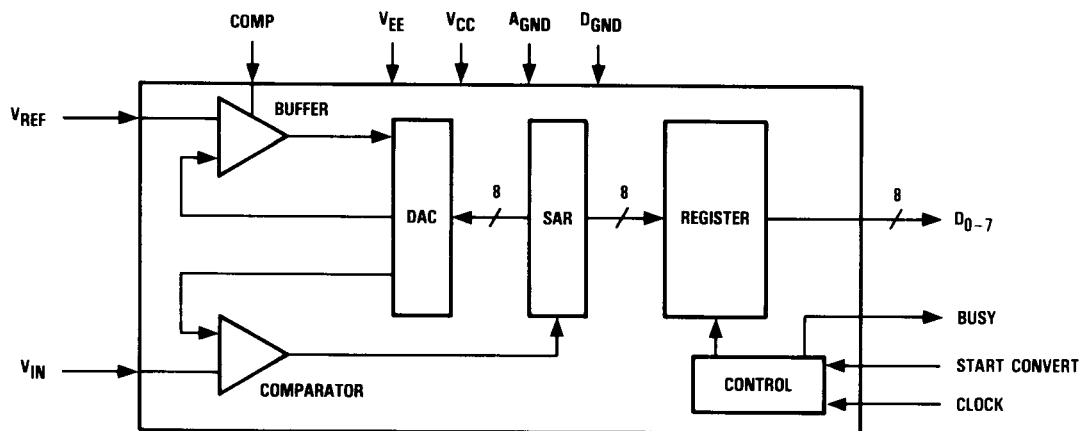
- 8–Bit Resolution
- Binary Output Coding
- TTL Compatible
- $\pm 1/2$ LSB Linearity
- Parallel Output Register
- 600mW Power Dissipation
- Available In 18 Lead DIP

Applications

- Microprocessor Systems
- Numerical Control Interface
- Data Acquisition Systems

A

Functional Block Diagram



www.DataSheet4U.com