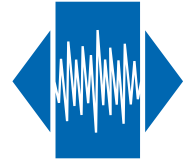


VXO-SK-S-4p

SMD VCXO
Sine wave

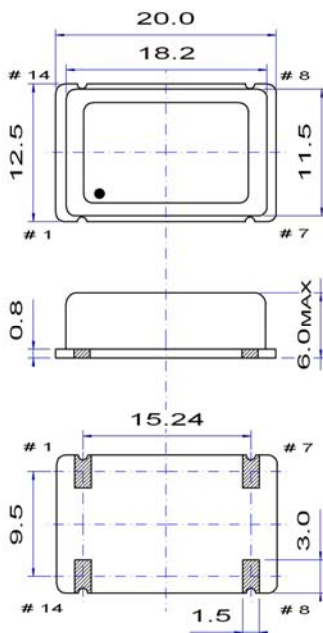
QuartzCom
the communications company



Features

- Applications: telecommunications, instrumentation, microwave
- Output frequency up to 400 MHz
- Low phase noise
- Wide frequency pulling range up to ± 200 ppm

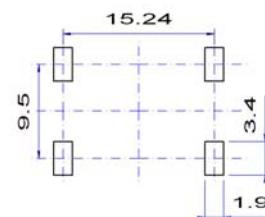
Parameter	Specification	
	VXO-SK-3S-4p	VXO-SK-5S-4p
Frequency range	10 ~ 400 MHz	
Standard frequencies	13.00, 27.00, 32.768, 38.880, 61.44.00 & 122.88 MHz	
Supply voltage	+3.3 V $\pm 5\%$	+5.0 V $\pm 5\%$
Supply current	10 ~ 50 mA	6 ~ 25 mA
Frequency stability (all inclusive) (*)	< ± 25 ppm < ± 50 ppm	over -20 ~ +70 °C over -40 ~ +85 °C
Output signal	Sine wave	
Output voltage	> 1.0 Vp-p	0 dBm
Output load	50 Ω	
Frequency pulling range	± 50 ~ ± 200 ppm	
Voltage control	+1.65 V ± 1.35 V	+2.5 V ± 2.0 V
Phase noise @ 61.44 MHz carrier frequency	-90 dBc/Hz -120 dBc/Hz -145 dBc/Hz -155 dBc/Hz -160 dBc/Hz	@ 10 Hz @ 100 Hz @ 1 kHz @ 10 kHz @ 100 kHz
Operating temperature range	-20 ~ +70 °C -40 ~ +85 °C	commercial application industrial application
Packaging units	tape & reel tray	500 pieces 50 pieces
(*) All inclusive frequency stability vs. temperature, tolerance, aging, supply & load variation		
Customer specifications on request		



Pin function

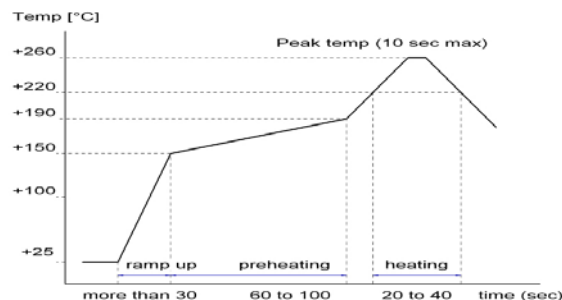
- # 1 Vc Voltage control
- # 7 GND
- # 8 Output
- # 14 Vdc

Example for solder pattern



Do not design any conductive path between the pattern

Example for IR reflow soldering temperature



2002/95/EC RoHS compliant