

**PLEASE CHECK WWW.MOLEX.COM FOR LATEST PART INFORMATION**

**Part Number:** [0010051057](#)  
**Status:** **Active**  
**Overview:** [kk](#)  
**Description:** 5.08mm (.200") Pitch PC Board Connector, Top Entry, 5 Circuits

**Documents:**

[3D Model](#) [Product Specification PS-2767-012 \(PDF\)](#)  
[Drawing \(PDF\)](#) [RoHS Certificate of Compliance \(PDF\)](#)  
[Product Specification PS-2767-004 \(PDF\)](#)

**Agency Certification**

CSA LR19980  
 UL E29179

**General**

Product Family PCB Receptacles  
 Series [2767](#)  
 Application Board-to-Board  
 Overview [kk](#)  
 Product Name KK®

**Physical**

Circuits (Loaded) 5  
 Color - Resin Natural  
 Flammability 94V-2  
 Glow-Wire Compliant No  
 Material - Metal Brass  
 Material - Plating Mating Tin-Lead  
 Material - Plating Termination Tin  
 Material - Resin Nylon  
 Number of Rows 1  
 Orientation Vertical  
 PC Tail Length (in) 0.126 In  
 PC Tail Length (mm) 3.20 mm  
 PCB Locator No  
 PCB Retention None  
 PCB Thickness Recommended (in) 0.062 In  
 PCB Thickness Recommended (mm) 1.60 mm  
 Packaging Type Bag  
 Pitch - Mating Interface (in) 0.200 In  
 Pitch - Mating Interface (mm) 5.08 mm  
 Plating min: Mating (µin) 35  
 Plating min: Mating (µm) 0.88  
 Plating min: Termination (µin) 35  
 Plating min: Termination (µm) 0.88  
 Polarized to PCB No  
 Temperature Range - Operating -40°C to +105°C  
 Termination Interface: Style Through Hole

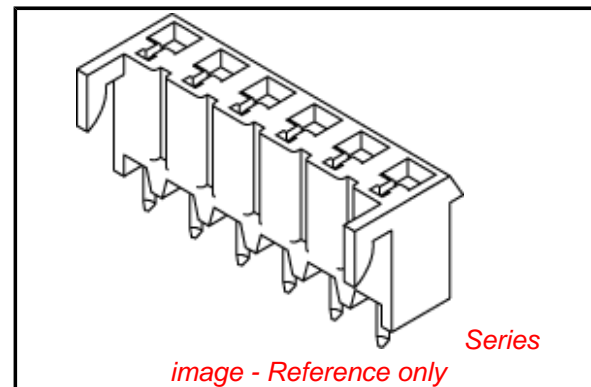
**Electrical**

Current - Maximum per Contact 7A  
 Voltage - Maximum 250V

**Material Info**

Old Part Number 2767-5CH

**Reference - Drawing Numbers**



**EU RoHS**

**ELV and RoHS Compliant**  
**REACH SVHC Contains SVHC: No**  
**Halogen-Free Status**  
**Not Reviewed**

**China RoHS**



**Need more information on product environmental compliance?**

Email [productcompliance@molex.com](mailto:productcompliance@molex.com)  
 For a multiple part number RoHS Certificate of Compliance, [click here](#)

Please visit the [Contact Us](#) section for any non-product compliance questions.

**Search Parts in this Series**

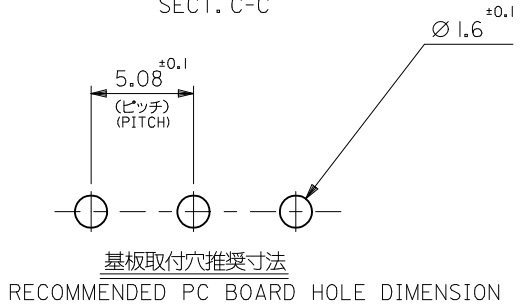
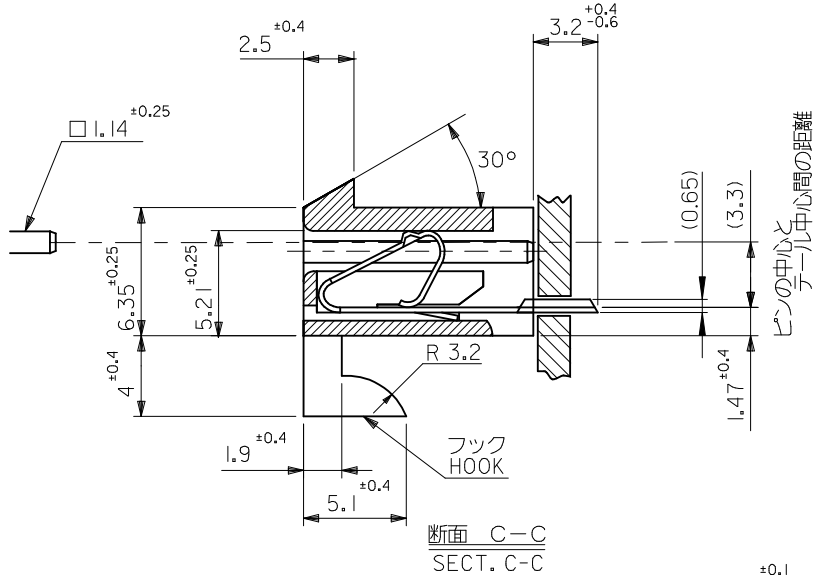
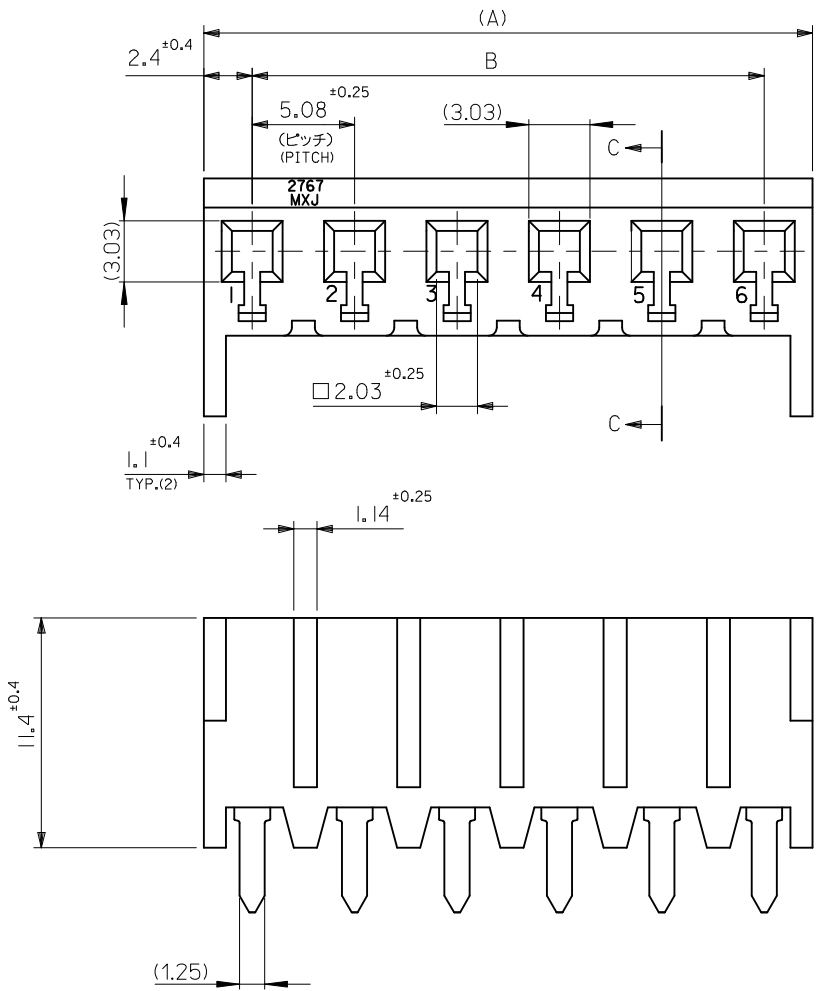
[2767Series](#)

**Mates With**

[5279na](#)

This document was generated on 06/07/2010

**PLEASE CHECK [WWW.MOLEX.COM](http://WWW.MOLEX.COM) FOR LATEST PART INFORMATION**



DIMENSION FROM CENTER OF PIN TO CENTER OF TAIL

**注記 NOTES**

- 材質 MATERIAL  
ハウジング : NYLON66 , 94V-2  
HOUSING : NYLON66 , 94V-2  
ターミナル : 黄銅、銅下付錫メッキ  
TERMINAL : BRASS, TIN OVER COPPER PLATING
- ( )内寸法は参考値  
( ) DIMENSION IS FOR REFERENCE

<b>REVISED</b> EC NO: J2010-2152 DRW: NRTSURIJOKA 2010/05/26 CHK: D: THARUYAMA 2010/06/01 APPR: HIRATA 2010/06/04	GENERAL TOLERANCES (UNLESS SPECIFIED)		DIMENSION STYLE <b>MM ONLY</b>		SCALE <b>4:1</b>	DESIGN UNITS <b>METRIC</b>	THIRD ANGLE PROJECTION	
	10 UNDER	± ---	DRAWN BY H. IJIMA	DATE 1996/05/23	TITLE <b>KK5.08 REC HSG ASSY</b>			
	10 OVER 30 UNDER	± ---	CHECKED BY M. FUKUSHIMA	DATE 1996/05/23				
	30 OVER	± ---	APPROVED BY MEMOMOTO	DATE 1996/05/23	<b>MOLEX INCORPORATED</b>		DOCUMENT NO. <b>SD-2767-004</b>	
ANGULAR ± --- °		MATERIAL NO. <b>SEE CHART</b>		SHEET NO. <b>1 OF 1</b>				
DRAFT WHERE APPLICABLE MUST REMAIN WITHIN DIMENSIONS		THIS DRAWING CONTAINS INFORMATION THAT IS PROPRIETARY TO MOLEX INCORPORATED AND SHOULD NOT BE USED WITHOUT WRITTEN PERMISSION						

25.4 <sup>+0.2</sup>	30.2	10-05-1067	2767-6CH	6
20.32 <sup>+0.2</sup>	25.12	10-05-1057	2767-5CH	5
15.24 <sup>+0.15</sup>	20.04	10-05-1047	2767-4CH	4
10.16 <sup>+0.15</sup>	14.96	10-05-1037	2767-3CH	3
B (A)		EDP. NO.	ENG. NO.	NO. OF CKTS