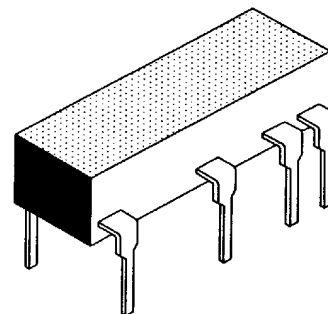


POLARA

AKA-SERIES

14 PIN, 5 TAP TTL, DIP STYLE ACTIVES

DC Electrical Characteristics		Test Conditions	Min	Max	Unit
VOH	High-Level Output Voltage	VCC=min. V _L =max. I _{OH} =max	2.7		V
VOL	Low Level Output Voltage	VCC=min. V _{IH} =min. I _{OL} =max		0.5	V
V _{IK}	Input Clamp Voltage	VCC=min. I _I =-18mA		-1.2	V
I _{IH}	High-Level Input Current	VCC=max. V _{IN} =2.7V		50	uA
		VCC=max. V _{IN} =5.25V		1.0	mA
I _{IL}	Low-Level Input Current	VCC=max. V _{IN} =0.5V		-2	mA
I _{OS}	Short Circuit Output Current	VCC=max. V _{OUT} =0 (One output at a time)	-40	-100	mA
I _{CCH}	High-Level Supply Current	VCC=max. V _{IN} =OPEN		75	mA
I _{CCL}	Low-Level Supply Current	VCC=max. V _{IN} =0		75	mA
T _{RO}	Output Rise Time	T _d ≤ 500nS(0.75 to 2.4 Volts) T _d > 500nS		4	nS
				5	nS
N _H	Fanout High-Level Output	VCC=max. V _{OH} =2.7V		20 TTL LOAD	
N _L	Fanout Low-Level Output	VCC=max. V _{OH} =0.5V		10 TTL LOAD	



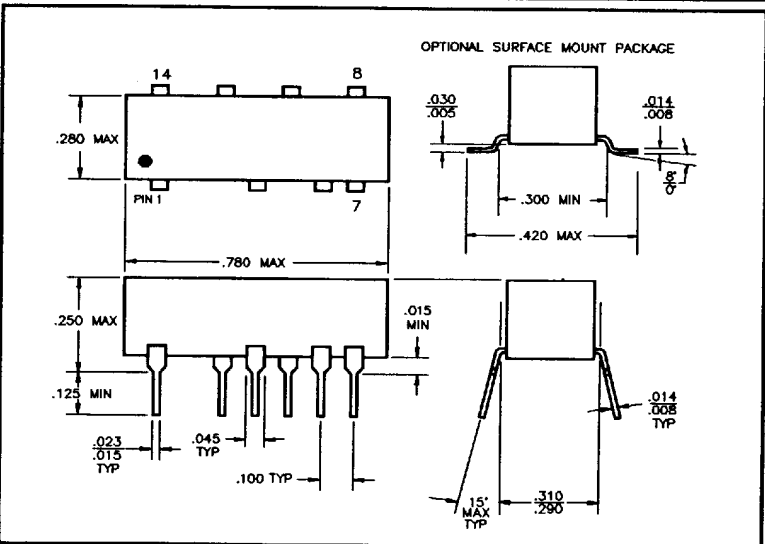
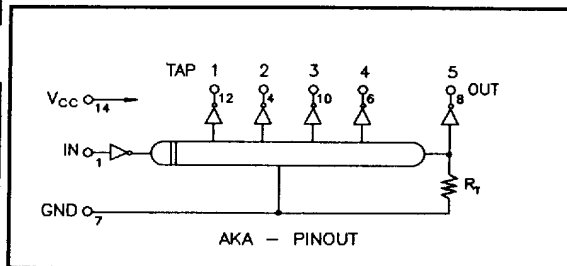
Recommended Operating Conditions		Min	Max	Unit
V _{CC}	Supply Voltage	4.75	5.25	V
V _{IH}	High-level Input voltage	2.0		V
V _{IL}	Low-Level Input Voltage		0.8	V
I _{OH}	High-Level Output Current		-1.0	mA
I _{OL}	Low-Level Output Current		20	mA
PW	Pulse Width % of Total Delay	40		%
T _A	Operating Free-Air Temperature	0	+70	°C

ALSO AVAILABLE IN FOLLOWING LOGIC FAMILIES

CMOS (HCT)
FAST
LSTTL

AKC-SERIES
AKF-SERIES
AKL-SERIES

Input Pulse Test Conditions @ 25°C		Unit
E _{IN}	Pulse Input Voltage	3.2 Volts
PW	Pulse Width % of Total Delay	110 %
T _{RI}	Pulse Rise Time(0.75 - 2.4 Volts)	2.0 nS
PRR	Pulse Repetition Rate @ T _d ≤ 200 nS	1.0 MHz
	Pulse Repetition Rate @ T _d > 200 nS	100 KHz
V _{CC}	Supply Voltage	5.0 Volts



TOTAL DELAY ± 2 nS OR 5%	TAP DELAYS ± 2 nS OR 5%	POLARA P/N AKA - PINOUT
25	5	AKA-0025
30	6	AKA-0030
35	7	AKA-0035
40	8	AKA-0040
45	9	AKA-0045
50	10	AKA-0050
55	11	AKA-0055
60	12	AKA-0060
65	13	AKA-0065
70	14	AKA-0070
75	15	AKA-0075
80	16	AKA-0080
85	17	AKA-0085
90	18	AKA-0090
100	20	AKA-0100
125	25	AKA-0125
150	30	AKA-0150
175	35	AKA-0175
200	40	AKA-0200
250	50	AKA-0250
300	60	AKA-0300
400	80	AKA-0400
500	100	AKA-0500

ADD "S" SUFFIX TO P/N, TO ORDER SURFACE MOUNT PACKAGE.

* ANY VALUES NOT SHOWN, AVAILABLE UPON REQUEST.

4115 ARTESIA AVENUE • FULLERTON, CALIFORNIA 92633 • (714) 521-0900 • FAX (714) 522-8001