

Digital Delay Unit

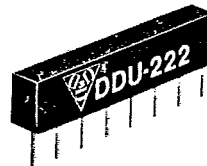
SERIES: DDU-222

8 pins SIP
T²L Interfaced



Features:

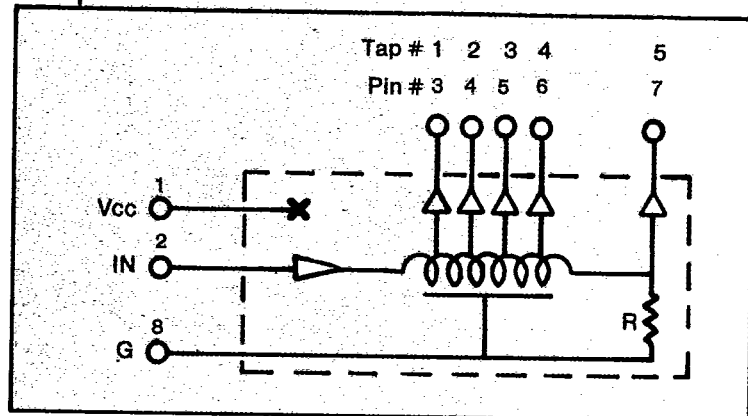
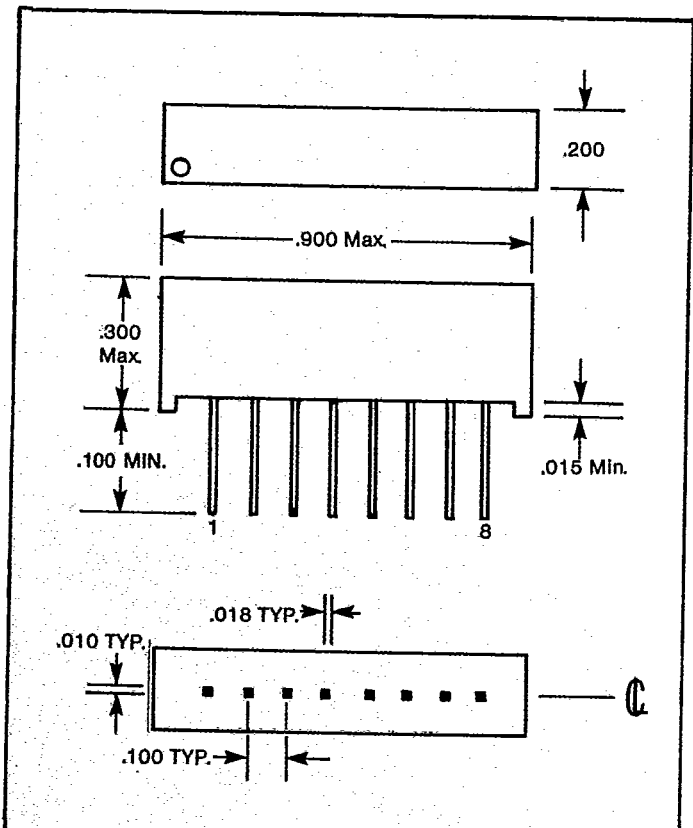
- Very thin unit.
- TTL input and outputs.
- SIP package.
- Economical.



Specifications:

- Outputs: 5, equally spaced.
- Delay Tolerance: see table.
- Rise-time: 4 ns typ.
- Minimum pulse width: 40% of total delay.
- Temperature range: 0° C to + 70° C.
- Temperature coefficient: 100 PPM/°C.
- Supply voltage: 4.75 to 5.25 Vdc.
- Input signal: TTL logic.
- Output fan-out: TTL Schottky loads.
- Power dissipation: 375 mw max.

Part No.	Total Delay (ns)	Tap Delay (ns)
*DDU-222-4	4 ± 1	1 ± 0.5
*DDU-222-6	6 ± 1	1.5 ± 0.5
*DDU-222-8	8 ± 2	2 ± 1
*DDU-222-10	10 ± 2	2.5 ± 1
*DDU-222-12	12 ± 2	3 ± 1
<hr/>		
*DDU-222-16	16 ± 2	4 ± 1.5
*DDU-222-20	20 ± 3	5 ± 2
DDU-222-30	30 ± 3	6 ± 2
DDU-222-35	35 ± 3	7 ± 2
DDU-222-40	40 ± 3	8 ± 2
<hr/>		
DDU-222-45	45 ± 3	9 ± 3
DDU-222-50	50 ± 3	10 ± 3
DDU-222-60	60 ± 3	12 ± 3
DDU-222-75	75 ± 4	15 ± 3
DDU-222-100	100 ± 5	20 ± 3
<hr/>		
DDU-222-125	125 ± 6.5	25 ± 3
DDU-222-150	150 ± 7.5	30 ± 3
DDU-222-175	175 ± 8	35 ± 4
DDU-222-200	200 ± 10	40 ± 4
DDU-222-250	250 ± 12.5	50 ± 5
<hr/>		
DDU-222-300	300 ± 15	60 ± 6
DDU-222-350	350 ± 17	70 ± 7
DDU-222-400	400 ± 20	80 ± 8
DDU-222-450	450 ± 22	90 ± 9
DDU-222-500	500 ± 25	100 ± 10



*Time delay measured with respect to 1st tap.
6 ns ± 1 ns inherent delay.